



PRODUCT CATALOG

ENGINEERING | INNOVATION | SERVICE

A

B

C

D

E

F

G

H

I

J

Mission:

To consistently meet customer requirements in a efficient manner with continuous improvement to our quality system.

Quality is about more than product performance. It's about people and processes performing, too. At World Wide, we approach our work with intense attention to detail that starts with manufacturing and continues until the part is delivered to you, error-free. It's the only way to ensure our customers' success.

You are only a click away from ordering quality fittings. You can find us at www.worldwidefittings.com. Our professional staff will help you with the orders.

World Wide Fittings Management

<i><u>Introduction</u></i>	
Safety Information	4
Tube Fitting Thread Chart.....	5
Product Specification / Interchangeability.....	6
How to Order	6
Port and Thread Assemblies	7 - 11
Tubing Selection	12 - 14
Tube Line Fabrication	15
<i><u>Section "A"</u></i>	
PIPE FITTINGS	17 - 44
<i><u>Section "B"</u></i>	
37° FLARE (JIC) FITTINGS	47 - 102
<i><u>Section "C"</u></i>	
"O" Ring Face Seal Fittings	103 - 146
<i><u>Section "D"</u></i>	
FLARELESS / COMPRESSION FITTINGS	147 - 165
<i><u>Section "E"</u></i>	
BEADED HOSE BARBS	167 - 175
<i><u>Section "F"</u></i>	
PLUGS / "O" RINGS.....	177 - 183
<i><u>Section "G"</u></i>	
CODE 61 & CODE 62 - FOUR BOLT FLANGE FITTINGS	185 - 194
<i><u>Section "H"</u></i>	
INTERNATIONAL CONVERSION FITTINGS.....	197 - 208
<i><u>Section "I"</u></i>	
TUBE END FABRICATION FITTINGS	211 - 218
<i><u>Section "J"</u></i>	
Interchange Chart.....	220 - 225
Index.....	226 - 227
Company Introduction	228



SAFETY INFORMATION

WARNING

Selection of proper tubing, tube fittings, and proper installation is essential to the proper operation and safe use of products and related equipment.

IMPROPER SELECTION OR IMPROPER USE OF THE PRODUCTS DESCRIBED WITHIN THIS CATALOG CAN CAUSE DEATH, PERSONAL INJURY, AND PROPERTY DAMAGE.

World Wide Fittings has prepared this document and other information to provide product and / or system options for further analysis by users having technical expertise. Due to the variety of operating conditions and applications for these products, the user through its own analysis and testing, is solely responsible for making the final selection of the products and assuring that all performance, safety, and warning requirement of the application are met. Below are some of the factors which should be considered when specifying components and equipment for your application.

TYPE OF MEDIA
TUBE SIZE
INSIDE DIAMETER
PRESSURE
SAFETY FACTOR

TUBING MATERIAL
WALL THICKNESS
TEMPERATURE
NECESSARY FLOW RATE

The products described herein, including product specification, designs, pricing, and availability, are subject to change by World Wide Fittings Corporation at time without notice.

TUBE & FITTING THREAD CHART

Dash No.	Tube Size	Flareless 7000 - 8000		37° Flare 5000	Pipe 3000	Face-seal 4000	Swivel Adapters 9000	Straight Thread "O" Ring Boss	7/8 Taper Pressure Plugs 100 P	Metric	BSPP
1	1/16"	-	-	-	1/16-27	-	-	-	1/16-27	M8 X 1.0	1/16-28
2	1/8"	5/16-24	5/16-24	5/16-24	1/8-27	-	1/8-27	5/16-24	1/8-27	M10 X 1.0	1/8-28
3	3/16"	3/8-24	3/8-24	3/8-24	-	-	-	3/8-24	-	M12 X 1.5	
4	1/4"	7/16-20	1/2-20	7/16-20	1/4-18	9/16-18	1/4-18	7/16-20	1/4-18	M14 X 1.5	1/4-19
5	5/16"	1/2-20	9/16-18	1/2-20	-	-	-	1/2-20	-	M16 X 1.5	
6	3/8"	9/16-18	5/8-18	9/16-18	3/8-18	11/16-16	3/8-18	9/16-18	3/8-18	M18 X 1.5	3/8-19
8	1/2"	3/4-16	3/4-16	3/4-16	1/2-14	13/16-16	1/2-14	3/4-16	1/2-14	M20 X 1.5	1/2-14
10	5/8"	7/8-14	15/16-16	7/8-14	-	1-14	7/8-14	7/8-14	-	M22 X 1.5	5/8-14
12	3/4"	1-1/16-12	1-1/16-16	1-1/16-12	3/4-14	1-3/16-12	3/4-14	1-1/16-12	3/4-14	M27 X 2.0	3/4-14
14	7/8"	1-3/16-12	1-3/16-16	1-3/16-12	-	-	-	1-3/16-12	-	M30 X 2.0	
16	1"	1-5/16-12	1-5/16-16	1-5/16-12	1-11-1/2	1-7/6-12	1-11-12	1-5/16-12	1-11-1/2	M33 X 2.0	1-16
20	1-1/4"	1-5/8-12	1-5/8-16	1-5/8-12	1-1/4-11-1/2	1-11/16-12	1-1/4-11-1/2	1-5/8-12	1-1/4-11-1/2	M42 X 2.0	1-1/4-11
24	1-1/2"	1-7/8-12	1-7/8-16	1-7/8-12	1-1/2-11-1/2	2-12	1-1/2-11-1/2	1-7/8-12	1-1/2-11-1/2	M48 X 2.0	1-1/2-11
32	2"	2-1/2-12	2-1/2-12	2-1/2-12	2-11-1/2	-	2-11-1/2	2-1/2-12	2-11-1/2	M60 X 2.0	2-11

INTRODUCTION

PRODUCT SPECIFICATION / INTERCHANGEABILITY

World Wide Fittings products are manufactured from various manufacturing processes which include cold heading, impact extrusion, hot and cold forging, and the conventional methods of making tube fittings on screw machines. World Wide products meet the SAE - J514, ASME Standard, NFPA Standard, and Military Standard - MIL - F - 18866, Class 1 for hydraulic and pneumatic fittings. World Wide Fittings "O" Ring Face Seal Fittings meet or exceed the requirements of the SAE - J1453 Specification.

Most of World Wide Fittings products fall under the Federal Supply Class #4730. All World Wide Fittings products are interchangeable with our competition's provided their fittings are made to the applicable SAE, ASME, NFPA, and Military Standards.

HOW TO ORDER

When specifying hydraulic fittings, the hose or tubing, as well as the thread sizes, are measured in sixteenths of an inch. When ordering tube fittings, customers must always specify the tube ends first followed by the opposite pipe, SAE straight thread, or female swivel end.

Customers who want to order fittings as "bodies only" that are normally sold as assemblies, must include the prefix letter "B" in front of the fitting number. Fittings which are sold as "bodies only" may be ordered as "assemblies" by including the prefix number "3" in front of the fitting number.

When ordering pipe and swivel Series fittings where tube ends are not present, refer to the proper fitting section and the individual listing of the fitting to be assured of ordering the correct part configuration.

(Contact World Wide Fittings when ordering fittings in configurations which are nonstandard or not listed in this catalog.)

PORT AND THREAD ASSEMBLIES

Hydraulic tube and pipe fittings are most commonly used with three different types of port threads:

- 1) SAE Straight Thread "O" Ring
- 2) ISO Metric Thread "O" Ring
- 3) National Pipe Thread

SAE STRAIGHT THREAD "O" RING PORTS

SAE straight threads can be machined for either adjustable or nonadjustable hydraulic fittings. Carefully machined internal and external UN/UNF straight threads provide the holding power for hydraulic fittings when installed in high pressure hydraulic systems.

SAE straight threads sealing power comes from the use of a high quality 90-durometer Buna-N "O" Ring as specified by SAE-J514. During assembly, the straight threads provide adjustability on shape fittings where maneuverability and alignment are necessary for tube line routing.

After the hydraulic fittings with the SAE straight thread have been properly installed, the hydraulic "O" Ring provides a high pressure seal by becoming seated between the angular groove in the female port and the male end of the hydraulic fittings.

ASSEMBLY INSTRUCTIONS

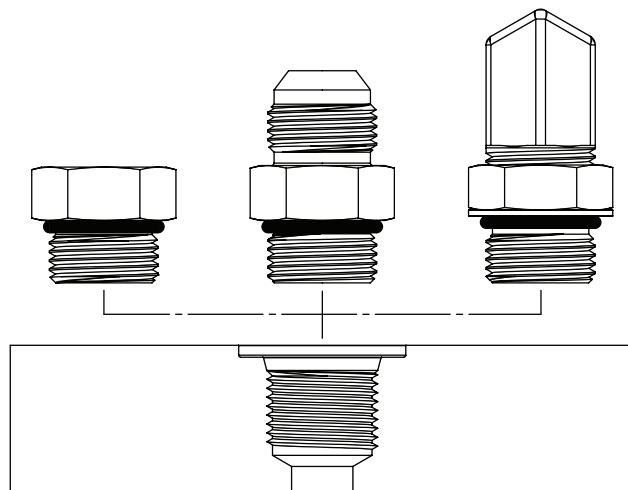
1. Inspect the hydraulic fitting and mating port to ensure that there is no foreign matter present or nicks in the "O" Ring to cause a leak.
2. Lubricate the "O" Ring with a light coating of oil or hydraulic fluid.
3. On the fittings adjustable thread, back the locknut off as far as possible and screw the fitting into the port until the flat back-up washer makes contact with the face of the port.
4. Align the adjustable fitting with the end of the tube assembly by unscrewing the fitting to the proper direction. (Do not unscrew the fitting more than one full turn.)
5. Using a wrench to hold the fitting in the desired position, tighten the locknut to the proper torque value as shown in the torque chart for adjustable SAE threads.
6. Visually inspect the fitting assembly to confirm that the "O" Ring has seated properly in the female ports angular seating groove and the back-up washer is seated flat against the face of the port.

Inspect threads before assembly to be assured that the male thread and female port are free of burrs and other foreign matter.

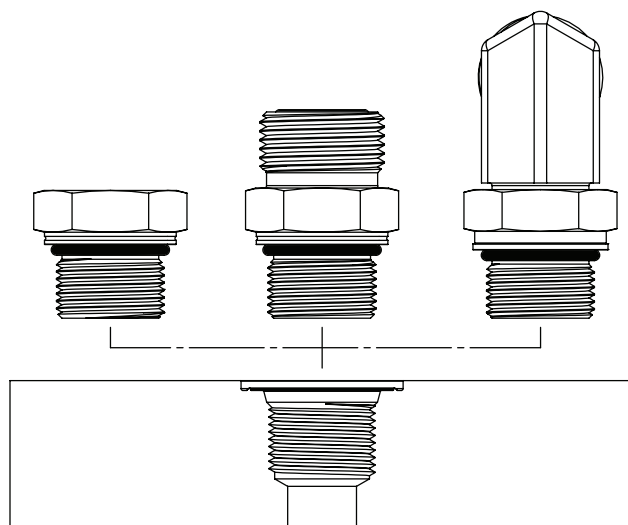
Lubricate the hydraulic "O" Ring before installing the fitting to prevent the "O" Ring from possible damage during installation.

Hydraulic fittings machined from forgings may have higher assembly torque values than are shown in the chart below.

(See drawing below for example of proper installation.)



Straight thread adjustable and non-adjustable assembly



Metric thread adjustable and non-adjustable assembly

INTRODUCTION

PORT AND THREAD ASSEMBLIES

The charts below shows the approximate assembly torque values for hydraulic fittings and “O” Ring plugs with adjustable and non-adjustable SAE straight threads and ISO metric threads.

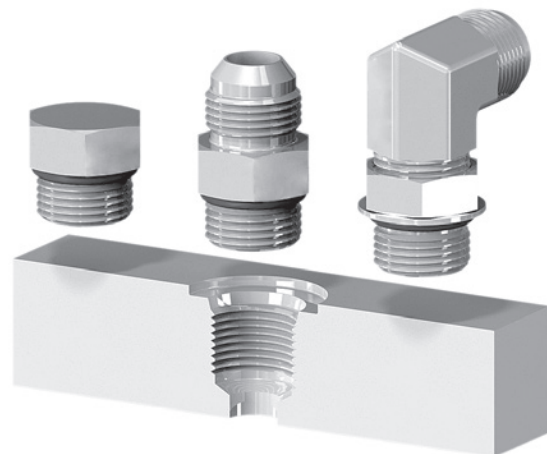
J1926-2 ORFS ADJUSTABLE & NON-ADJUSTABLE		
STUD END QUALIFICATION TORQUE		
DASH SIZE	THREAD	TORQUE [N·m] ¹ +10% - 0%
3	3/8-24	10 ⁽²⁾
4	7/16-20	20 ⁽²⁾
5	1/2-20	40
6	9/16-18	45
8	3/4-16	85
10	7/8-14	115
12	1-1/16-12	170
14	1-3/16-12	215
16	1-5/16-12	270
20	1-5/8-12	285
24	1-7/8-12	370
32	2-1/2-12	540

1. To convert from N·m to lb.ft, multiply by 0.737.
2. These values are for adjustable stud end. Nonadjustable values are 15 and 35 for sizes 3/8-24 and 7/16-20, respectively.

J1926-3 JIC, FLARELESS ADJUSTABLE & NON-ADJUSTABLE		
STUD END QUALIFICATION TORQUE		
DASH SIZE	THREAD	TORQUE [N·m] ¹ +10% - 0%
2	5/16-24	8
3	3/8-24	10
4	7/16-20	18
5	1/2-20	25
6	9/16-18	30
8	3/4-16	50
10	7/8-14	60
12	1-1/16-12	95
14	1-3/16-12	125
16	1-5/16-12	150
20	1-5/8-12	200
24	1-7/8-12	210
32	2-1/2-12	300

1. To convert from N·m to lb.ft, multiply by 0.737.

J514			
TEST TORQUE FOR INTERNAL HEX PORT PLUGS AND TEST TORQUES FOR HEAVY-DUTY (S-SERIES) EXTERNAL HEX PLUG SCREWS			
DASH SIZE	PORT OR PLUG THREAD SIZES	PLUG	
		INTERNAL HEX	EXTERNAL HEX
		TORQUE [N·m]	
2	5/16-24	8-9	
3	3/8-24	11-12	
4	7/16-20	18-20	
5	1/2-20	23-26	
6	9/16-18	29-33	
8	3/4-16	49-53	
10	7/8-14	59-64	
12	1-1/16-12	93-102	
14	1-3/16-12	122-134	
16	1-5/16-12	151-166	
20	1-5/8-12	198-218	
24	1-7/8-12	209-231	
32	2-1/2-12	296-325	



Straight Thread Port Assembly

PORT AND THREAD ASSEMBLIES

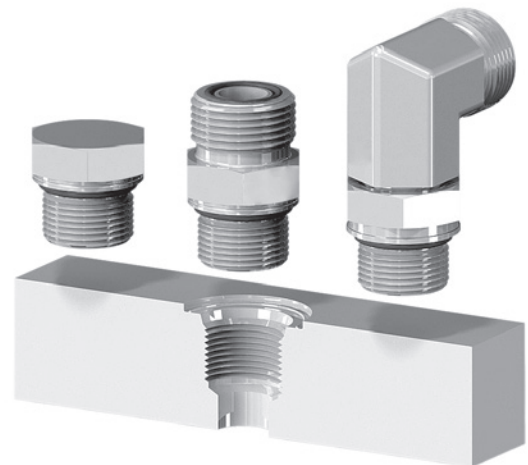
ISO 6149-2 ORFS ADJUSTABLE & NON-ADJUSTABLE	
TORQUES FOR STUD END QUALIFICATION TEST	
<i>THREAD</i>	<i>TORQUE</i> [N·m] +10% - 0%
M8 X 1	10
M10 X 1	20
M12 X 1.5	35
M14 X 1.5	45
M16 X 1.5	55
M18 X 1.5	70
M20 X 1.5 ^a	80
M22 X 1.5	100
M27 X 2.0	170
M30 X 2.0	215
M33 X 2.0	310
M42 X 2.0	330
M48 X 2.0	420
M60 X 2.0	500

a. For plugs for cartridge valve cavities only (see ISO 6149-4 and ISO 7789).

ISO 6149-3 JIC, FLARELESS ADJUSTABLE & NON-ADJUSTABLE	
TORQUES FOR STUD END QUALIFICATION TEST	
<i>THREAD</i>	<i>TORQUE</i> [N·m] +10% - 0%
M8 X 1	8
M10 X 1	15
M12 X 1.5	25
M14 X 1.5	35
M16 X 1.5	40
M18 X 1.5	45
M22 X 1.5	60
M27 X 2.0	100
M30 X 2.0	130
M33 X 2.0	160
M42 X 2.0	210
M48 X 2.0	260
M60 X 2.0	315

ISO 6149-4		
TORQUES FOR PLUG QUALIFICATION TEST		
<i>THREAD</i>	<i>PLUG</i>	
	<i>INTERNAL HEX</i>	<i>EXTERNAL HEX</i>
	<i>TORQUE</i> [N·m] +10% - 0%	
M8 X 1	8	10
M10 X 1	15	20
M12 X 1.5	22	35
M14 X 1.5	45	45
M16 X 1.5	55	55
M18 X 1.5	70	70
M20 X 1.5 ^a	80	80
M22 X 1.5	100	100
M27 X 2.0	170	170
M30 X 2.0	215	215
M33 X 2.0	310	310
M42 X 2.0	330	330
M48 X 2.0	420	420
M60 X 2.0	500	500

a. For cartridge valve cavity applications only (see ISO 7789).



Metric Thread Port Assembly

INTRODUCTION

PORT AND THREAD ASSEMBLIES

DRYSEAL PIPE THREADS

NPTF threads are formed to have a 3/4" taper with tightly machined tolerances to provide contact at the crest and root of the thread as well as the flank. The metal to metal seal of the thread crest, root, and flank, together provide a complete seal to help prevent the possibility of spiral leakage.

NPTF threads also provide the holding power for the connection while in high pressure service, which limits the reliability of the seal which the threads are making with the female port.

For high pressure applications where constant vibration is running through the hydraulic systems, hydraulic fittings with SAE straight threads which connect to female or male ports are recommended.

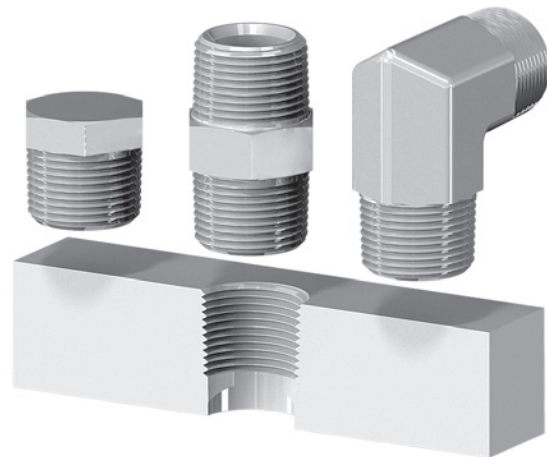
ASSEMBLY INSTRUCTIONS

1. Visually inspect the fitting and the mating port and remove any burrs or foreign matter which may be present.
2. Apply thread sealant if needed to the male threads. Do not apply thread sealant to the beginning 1/3rd of the male threads so as to keep the hydraulic system free from being contaminated by sealant which enters the system from the fitting connection.
3. Install the fitting to the finger-tight position. Using a wrench turn the fitting approximately 2 - 2 1/2 turns past the finger-tight position.

(See drawing below for example of proper installation.)

TAPERED PIPE THREAD SIZE		
<i>Dash Size</i>	<i>NPTF</i>	<i>T.F.F.T.</i>
2	1/8-27	2 - 3
4	1/4-18	2 - 3
6	3/8-18	2 - 3
8	1/2-14	2 - 3
12	3/4-14	2 - 3
16	1-11-1/2	1.5 - 2.5
20	1-1/4-11-1/2	1.5 - 2.5
24	1-1/2-11-1/2	1.5 - 2.5
32	2-11-1/2	1.5 - 2.5

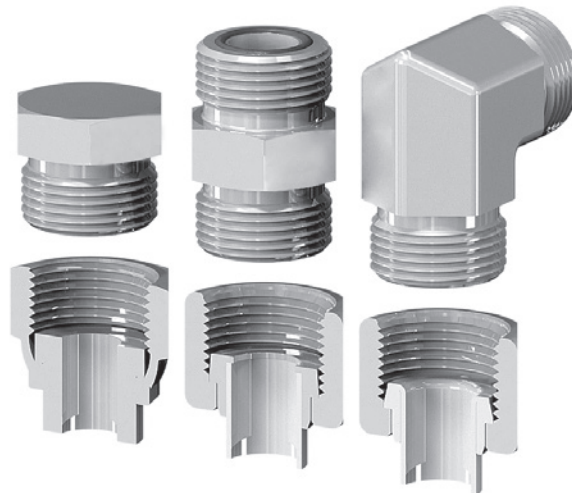
Assembly turns from finger tight (T.F.F.T.) values for steel, stainless steel and brass pipe fittings.



Pipe Thread Port Assembly

PORT AND THREAD ASSEMBLIES

J1453-2 & J1453-3				
FACE SEAL END QUALIFICATION TORQUE				
NOMINAL METRIC TUBE OD MM	INCH TUBE OD OR HOSE ID DASH SIZE	NOMINAL INCH TUBE OD MM	"O" RING FACE SEAL END THREAD INCH	TORQUE [N-m]
6	4	6.35	9/16-18	25
8	5	7.94	5/8-18	30
10	6	9.52	11/16-16	40
12	8	12.70	13/16-16	55
16	10	15.88	1-14	60
20	12	19.05	1-3/16-12	90
22	14	22.23	1-5/16-12	115
25	16	25.40	1-7/16-12	125
30	20	31.75	1-11/16-12	170
38	24	38.10	2-12	200



Face Seal Thread Assembly

INTRODUCTION

TUBING SELECTION

TUBING DESIGN PRESSURES

FOR STEEL AND STAINLESS STEEL TUBING BASED ON 4 - 1 SAFETY FACTOR

TUBE O.D.	WALL THICKNESS	TUBE I.D.	STEEL C1010	STAINLESS 304 & 316
0.125	0.028	0.069	6661	7994
0.125	0.035	0.055	8445	10134
0.188	0.028	0.132	4245	5094
0.188	0.035	0.118	5435	6521
0.188	0.049	0.090	7839	9407
0.250	0.028	0.194	3104	3725
0.250	0.035	0.180	3965	4758
0.250	0.049	0.152	5753	6903
0.250	0.065	0.120	7819	9382
0.250	0.083	0.084	9964	11957
0.313	0.028	0.257	2433	2919
0.313	0.035	0.243	3098	3718
0.313	0.049	0.215	4486	5383
0.313	0.065	0.183	6131	7357
0.313	0.083	0.147	7982	9579
0.313	0.095	0.123	9156	10987
0.375	0.028	0.319	2004	2405
0.375	0.035	0.305	2547	3056
0.375	0.049	0.277	3675	4410
0.375	0.065	0.245	5021	6025
0.375	0.083	0.209	6575	7890
0.375	0.095	0.185	7607	9128
0.375	0.109	0.157	8771	10526
0.500	0.035	0.430	1871	2245
0.500	0.049	0.402	2684	3221
0.500	0.065	0.370	3654	4385
0.500	0.083	0.334	4786	5744
0.500	0.095	0.310	5558	6670
0.500	0.109	0.282	6467	7760
0.500	0.120	0.260	7179	8615
0.500	0.134	0.232	8071	9685
0.500	0.148	0.204	8932	10719
0.500	0.188	0.124	11051	13262
0.625	0.035	0.555	1478	1773
0.625	0.049	0.527	2111	2534
0.625	0.065	0.495	2863	3436
0.625	0.083	0.459	3741	4489

TUBE O.D.	WALL THICKNESS	TUBE I.D.	STEEL C1010	STAINLESS 304 & 316
0.625	0.095	0.435	4342	5210
0.625	0.109	0.407	5055	6067
0.625	0.120	0.385	5623	6748
0.625	0.134	0.357	6350	7620
0.750	0.035	0.680	1221	1465
0.750	0.049	0.652	1739	2087
0.750	0.065	0.620	2351	2821
0.750	0.083	0.584	3064	3676
0.750	0.095	0.560	3551	4261
0.750	0.109	0.532	4132	4958
0.750	0.120	0.510	4595	5514
0.750	0.134	0.482	5193	6231
0.750	0.148	0.454	5796	6955
0.750	0.188	0.374	7521	9026
0.875	0.035	0.805	1040	1248
0.875	0.049	0.777	1478	1773
0.875	0.065	0.745	1993	2392
0.875	0.083	0.709	2591	3110
0.875	0.095	0.685	3000	3600
0.875	0.109	0.657	3487	4184
0.875	0.120	0.635	3876	4651
0.875	0.134	0.607	4378	5253
0.875	0.148	0.579	4887	5864
1.000	0.035	0.930	906	1087
1.000	0.049	0.902	1285	1542
1.000	0.065	0.870	1730	2076
1.000	0.083	0.834	2244	2693
1.000	0.095	0.810	2596	3115
1.000	0.109	0.782	3013	3616
1.000	0.120	0.760	3347	4016
1.000	0.134	0.732	3778	4533
1.000	0.148	0.704	4216	5059
1.000	0.156	0.688	4468	5362
1.000	0.188	0.624	5494	6592
1.000	0.220	0.560	6532	7838
1.250	0.049	1.152	1018	1222
1.250	0.065	1.120	1367	1641

TUBING SELECTION

TUBING DESIGN PRESSURES

FOR STEEL AND STAINLESS STEEL TUBING BASED ON 4 - 1 SAFETY FACTOR

TUBE O.D.	WALL THICKNESS	TUBE I.D.	STEEL C1010	STAINLESS 304 & 316
1.250	0.083	1.084	1769	2123
1.250	0.095	1.060	2042	2451
1.250	0.109	1.032	2367	2840
1.250	0.120	1.010	2625	3150
1.250	0.134	0.982	2959	3551
1.250	0.148	0.954	3298	3958
1.250	0.156	0.938	3494	4193
1.250	0.188	0.874	4291	5149
1.250	0.220	0.810	5107	6128
1.500	0.065	1.370	1130	1356
1.500	0.083	1.334	1459	1751
1.500	0.095	1.310	1683	2019
1.500	0.109	1.282	1947	2336
1.500	0.120	1.260	2158	2589
1.500	0.134	1.232	2429	2915
1.500	0.148	1.204	2704	3245
1.500	0.156	1.188	2863	3436
1.500	0.188	1.124	3510	4212
1.500	0.220	1.060	4174	5008
1.500	0.250	1.000	4808	5769
2.000	0.065	1.870	839	1007
2.000	0.083	1.834	1080	1296
2.000	0.095	1.810	1244	1492
2.000	0.109	1.782	1436	1724
2.000	0.120	1.760	1589	1907
2.000	0.134	1.732	1786	2143
2.000	0.148	1.704	1985	2382
2.000	0.156	1.688	2100	2520
2.000	0.188	1.624	2566	3079
2.000	0.220	1.560	3043	3652
2.000	0.250	1.500	3500	4200
2.000	0.281	1.438	3980	4776

When using thick walled tubing where flaring is impractical, the use of **Flareless Fittings** is recommended. Pressures listed above are given in PSI.

Selection of hydraulic tubing size is calculated by evaluating several different factors.

These factors include:

1. Type of fluid in the application
2. Maximum working pressure
3. Type of service (Normal, Severe, Hazardous)
4. Operating Temperature of application
5. Flow rate of application

Tubing design pressures can be calculated using one of three equations as shown in SAE - J1065. The values which are shown in the tubing design pressure chart were calculated using (LAME's) equation. Values as shown in the tubing design pressure chart are given using a safety factor of 4 to 1, which is rated for normal service.

LAME'S equation

$$P = S \left(\frac{D^2 - d^2}{D^2 + d^2} \right)$$

D = Outside tube diameter (Inches)

d = Inside tube diameter (Inches)

P = Recommended design pressure

S = Allowable stress of material (PSI)

**** Values for allowable stress of materials**

- C1010 Steel tubing: 12,500 PSI
- 304 and 316 Stainless tubing: 15,000 PSI

**** Tubing design pressure values have not been derated for severity of service or elevated operating temperatures.**

**** Consult your tubing supplier for detailed information regarding pressure and temperature ratings for tubing.**

INTRODUCTION

TUBING SELECTION

1010 STEEL TUBING WALL THICKNESS

TUBE O.D.	6:1 SAFETY FACTOR					8:1 SAFETY FACTOR				
	WORKING PRESSURES (PSI)					WORKING PRESSURES (PSI)				
	1000	2000	3000	4000	5000	1000	2000	3000	4000	5000
1/8	.028	.028	.028	.028	.035	.028	.028	.028	.035	-
3/16	.030	.030	.030	-	-	.030	.030	-	-	-
1/4	.030	.030	.042	.058	-	.030	.035	.058	-	-
5/16	.032	.032	.058	.065	-	.032	.049	.065	-	-
3/8	.032	.042	.083	-	-	.032	.058	-	-	-
1/2	.032	.058	-	-	-	.042	.072	-	-	-
5/8	.035	.072	-	-	-	.049	.095	-	-	-
3/4	.049	.083	-	-	-	.058	.109	-	-	-
7/8	.049	.095	-	-	-	.065	-	-	-	-
1	.058	.109	-	-	-	.072	-	-	-	-
1-1/4	.072	-	-	-	-	.095	-	-	-	-
1-1/2	.083	-	-	-	-	.109	-	-	-	-
2	.109	-	-	-	-	-	-	-	-	-

304 & 316 STAINLESS STEEL TUBING WALL THICKNESS

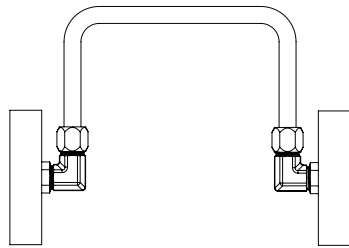
TUBE O.D.	6:1 SAFETY FACTOR					8:1 SAFETY FACTOR				
	WORKING PRESSURES (PSI)					WORKING PRESSURES (PSI)				
	1000	2000	3000	4000	5000	1000	2000	3000	4000	5000
1/8	.028	.028	.028	.028	.035	.028	.028	.028	.028	.035
3/16	.030	.030	.030	.030	.035	.030	.030	.030	.035	-
1/4	.030	.030	.030	.042	.058	.030	.030	.035	.058	.065
5/16	.032	.032	.035	.058	.065	.032	.032	.049	.065	-
3/8	.032	.042	.065	.083	-	.032	.042	.058	-	-
1/2	.032	.042	.065	.083	-	.032	.058	.083	-	-
5/8	.035	.058	.083	.095	-	.035	.065	-	-	-
3/4	.035	.065	.095	-	-	.049	.083	-	-	-
7/8	.049	.072	.109	-	-	.049	.095	-	-	-
1	.049	.083	.120	-	-	.058	.109	-	-	-
1-1/4	.058	.109	-	-	-	.065	.134	-	-	-
1-1/2	.065	.120	-	-	-	.083	-	-	-	-
2	.083	-	-	-	-	.109	-	-	-	-

TUBE LINE FABRICATION

Equipment which makes use of hydraulic or pneumatic fluid lines must be properly designed for efficiency, ease of assembly, and leak free operation. Consider the following points when designing a fluid system.

1. Proper routing of lines to avoid pressure drops and excessive strain on joints.
2. Make joints accessible for easy installation and future maintenance.
3. Have tube supports installed to further eliminate strain on tube lines and excess noise from the system.

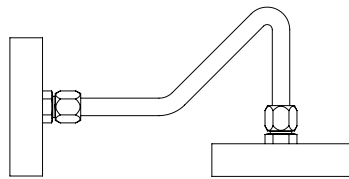
** Refer to drawings of fluid line fabrications for examples of proper and improper routing.



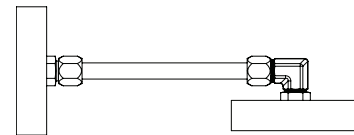
Correct routing



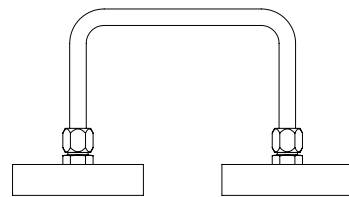
Incorrect routing



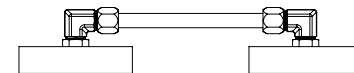
Correct routing



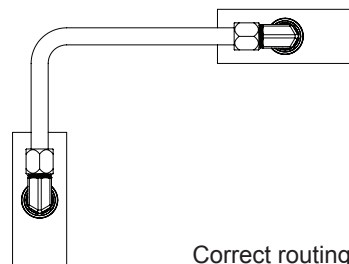
Incorrect routing



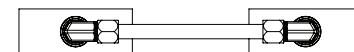
Correct routing



Incorrect routing



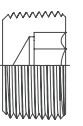
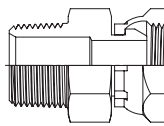
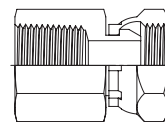
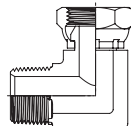
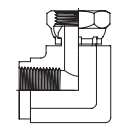
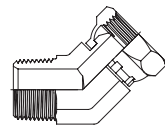
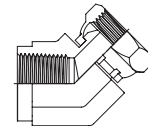
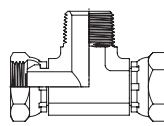
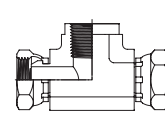
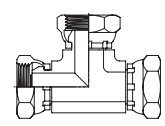
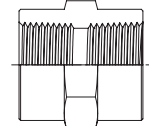
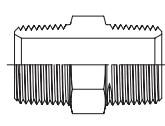
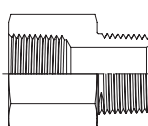
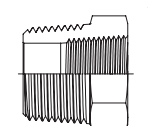
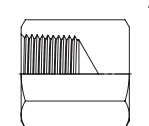
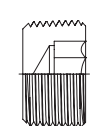
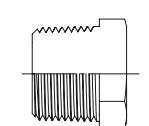
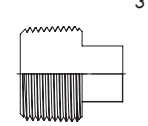
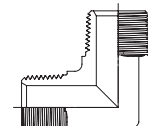
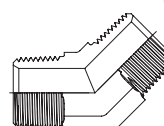
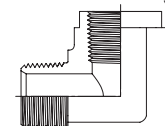
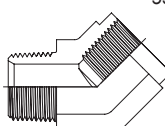
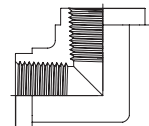
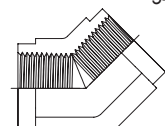
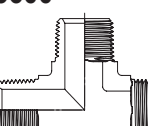
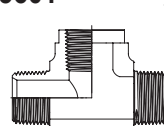
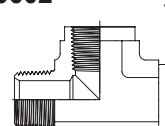
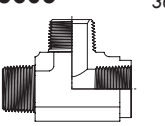
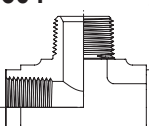
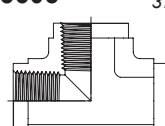
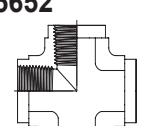
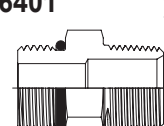
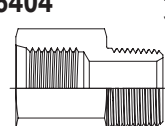
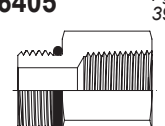
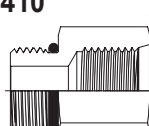
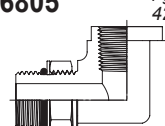
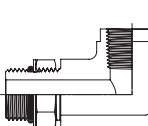
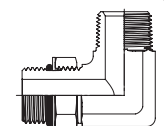
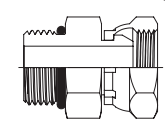
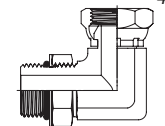
Correct routing

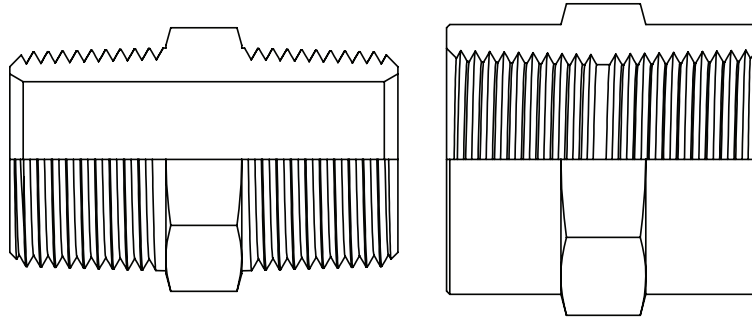


Incorrect routing

PIPE FITTINGS

A

<p>100P Pg. 20</p>  <p>100P Hex Socket Plug</p>	<p>1404 Pg. 20</p>  <p>9205 Male Pipe To Female Pipe Swivel Straight</p>	<p>1405 Pg. 21</p>  <p>9255 Female Pipe To Female Pipe Swivel Straight</p>	<p>1501 Pg. 22</p>  <p>9405 Male Pipe To Female Pipe Swivel 90°</p>	<p>1502 Pg. 23</p>  <p>9455 Female Pipe To Female Pipe Swivel 90°</p>	<p>1503 Pg. 23</p>  <p>9355 Male Pipe To Female Pipe Swivel 45°</p>
<p>1504 Pg. 24</p>  <p>9385 Female Pipe To Female Pipe Swivel 45°</p>	<p>1601 Pg. 25</p>  <p>9605 Male Pipe to Female Pipe Swivel Branch Tee</p>	<p>1602 Pg. 25</p>  <p>9456 Female Pipe to Female Pipe Swivel Branch Tee</p>	<p>1603 Pg. 26</p>  <p>9705 Female Pipe Swivel Union Tee</p>	<p>5000 Pg. 26</p>  <p>3309 Hexagon Pipe Coupling</p>	<p>5404 Pg. 27</p>  <p>3069 Hexagon Pipe Nipple</p>
<p>5405 Pg. 28</p>  <p>3209 Adapter</p>	<p>5406 Pg. 28</p>  <p>3109 Reducer Bushing</p>	<p>5406C Pg. 29</p>  <p>5406-C Pipe Cap</p>	<p>5406-HP Pg. 30</p>  <p>3169 Hex Socket Plug</p>	<p>5406-P Pg. 30</p>  <p>3159 Hexagon Outside Head Pipe Plug</p>	<p>5406-SHP Pg. 31</p>  <p>3179 Square Inside Head Pipe Plug</p>
<p>5500 Pg. 31</p>  <p>F3529 90° Male Pipe Elbow</p>	<p>5501 Pg. 32</p>  <p>5501 45° Male Pipe Elbow</p>	<p>5502 Pg. 32</p>  <p>F3409 90° Street Pipe Elbow</p>	<p>5503 Pg. 33</p>  <p>F3359 45° Street Elbow</p>	<p>5504 Pg. 34</p>  <p>F3509 90° Female Pipe Elbow</p>	<p>5505 Pg. 34</p>  <p>F3559 45° Female Pipe Elbow</p>
<p>5600 Pg. 35</p>  <p>5600 Male Pipe Tee</p>	<p>5601 Pg. 35</p>  <p>5601 Female Branch Tee</p>	<p>5602 Pg. 36</p>  <p>F3759 Male Run Tee</p>	<p>5603 Pg. 36</p>  <p>F3809 Female Run Tee</p>	<p>5604 Pg. 37</p>  <p>F3609 Male Branch Tee</p>	<p>5605 Pg. 37</p>  <p>F3709 Female Pipe Tee</p>
<p>5652 Pg. 38</p>  <p>F3959 Female Pipe Cross</p>	<p>6401 Pg. 38</p>  <p>3249 Male SAE to Male Pipe Adapter</p>	<p>6404 Pg. 39</p>  <p>3239 Female Straight to Male Pipe Adapter</p>	<p>6405 Pg. 39</p>  <p>3269 Straight Thread "O" Ring Adapter</p>	<p>6410 Pg. 40</p>  <p>6410 Male SAE to Female SAE Adapter</p>	<p>6805 Pg. 42</p>  <p>F3459 90° Straight Thread Elbow</p>
<p>6805-L Pg. 42</p>  <p>F3469 90° Straight Thread Elbow Long</p>	<p>6806 Pg. 43</p>  <p>F3569 90° Str. Thr. Male to Male Pipe Elbow</p>	<p>6900 Pg. 44</p>  <p>9315 Male SAE To Female Pipe Swivel Straight</p>	<p>6901 Pg. 45</p>  <p>9515 Adjustable Male SAE To Female Pipe Swivel 90°</p>		



CONSTRUCTION

Straight pipe fittings are machined from cold drawn bar stock. Shape fittings (elbows, tees, and crosses) are made from forgings. Pipe fittings are machined with NPTF threads for greater holding power and resistance to leakage.

APPLICATIONS

For use in lubrication, instrumentation, and most high pressure hydraulic systems.

PRESSURE RATINGS

Working pressures up to 5000 PSI - Working Pressure will vary depending on Tube & Fitting Size.

(For applications using extreme pressures at 5000 PSI or above, contact World Wide Fittings.)

MATERIAL

Steel - 12L14, 1215, 1045

Stainless Steel - Type 316

PLATING

Clear Zinc Trivalent

Passivated

HOW TO ORDER

Pipe fittings are available in sizes 1/8" through 2"
(Contact World Wide Fittings for availability of specific shapes and sizes.)

CONFORMANCE

Pipe fittings meet SAE J514 specifications.

ASSEMBLY INSTRUCTIONS

Dryseal Threads:

1. Inspect the male and female threads for cleanliness.
2. Lightly lubricate the male and female threads.
3. Using a wrench turn the fitting approximately 2 - 2 1/2 turns past the finger-tight position. (Thread sealant may be applied for added protection against leakage.)

SAE "O" Ring Threads:

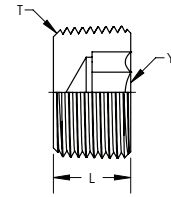
1. Inspect the male and female SAE straight threads for cleanliness.
2. Lubricate the hydraulic "O" Ring before installing the fitting to prevent the "O" Ring from possible damage during installation. Install the fitting to the finger-tight position.
3. Using a wrench tighten the fitting to the proper torque value.

PIPE FITTINGS

A

Description: **HEX SOCKET PLUG**
 Part No.: **100P**
 Stainless Part No.: **100P-SS**

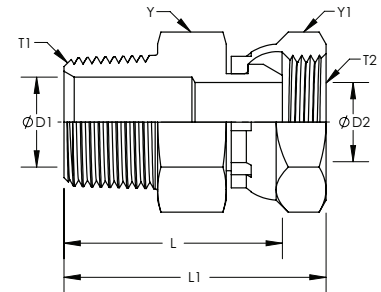
Parker: /
 Weatherhead: 100P
 Aeroquip: /
 Gates: /



PART #	Y HEX	T	L
100PX01	0.156	1/16-27	0.250
100PX02	0.188	1/8-27	0.250
100PX04	0.250	1/4-18	0.406
100PX06	0.313	3/8-18	0.406
100PX08	0.375	1/2-14	0.531
100PX12	0.563	3/4-14	0.531
100PX16	0.625	1-11-1/2	0.656
100PX20	0.750	1-1/4-11-1/2	0.656
100PX24	0.750	1-1/2-11-1/2	0.656
100PX32	1.000	2-11-1/2	0.656

Description: **MALE PIPE TO FEMALE PIPE SWIVEL STRAIGHT**
 Part No.: **1404**
 Stainless Part No.: **1404-SS**
 SAE: **140130**

Parker: 207
 Weatherhead: 9205
 Aeroquip: 2046-[R]
 Gates: FP-FPX



PART #	Y HEX	Y1 HEX	T1	D1	T2	D2	L	L1
1404X02X02	0.563	0.563	1/8-27	0.188	1/8-27	0.150	0.940	0.940
1404X02X04	0.688	0.688	1/8-27	0.188	1/4-18	0.220	1.050	1.050
1404X04X02	0.688	0.563	1/4-18	0.281	1/8-27	0.150	1.180	1.180
1404X04X04	0.688	0.688	1/4-18	0.281	1/4-18	0.220	1.230	1.230
1404X04X06	0.813	0.875	1/4-18	0.281	3/8-18	0.340	1.310	1.310
1404X04X08	1.000	1.000	1/4-18	0.281	1/2-14	0.460	1.420	1.420
1404X06X04	0.750	0.688	3/8-18	0.406	1/4-18	0.220	1.300	1.300
1404X06X06	0.875	0.875	3/8-18	0.406	3/8-18	0.340	1.300	1.300
1404X06X08	1.000	1.000	3/8-18	0.406	1/2-14	0.460	1.420	1.420
1404X08X04	0.875	0.688	1/2-14	0.531	1/4-18	0.220	1.520	1.520
1404X08X06	0.875	0.875	1/2-14	0.531	3/8-18	0.340	1.560	1.560
1404X08X08	1.000	1.000	1/2-14	0.531	1/2-14	0.460	1.610	1.610
1404X08X12	1.250	1.250	1/2-14	0.531	3/4-14	0.635	1.740	1.740
1404X12X06	1.125	0.875	3/4-14	0.719	3/8-18	0.340	1.560	1.560
1404X12X08	1.125	1.000	3/4-14	0.719	1/2-14	0.460	1.650	1.650
1404X12X12	1.250	1.250	3/4-14	0.719	3/4-14	0.635	1.750	1.750
1404X12X16	1.500	1.500	3/4-14	0.719	1-11-1/2	0.831	1.810	1.810
1404X12X20	1.875	1.875	3/4-14	0.719	1-1/4-11-1/2	1.087	1.860	1.860
1404X16X06	1.375	0.875	1-11-1/2	0.938	3/8-18	0.340	1.810	1.810

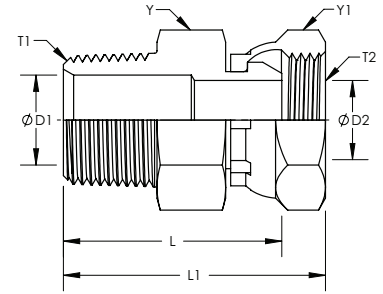
Continued on page 21

Continued from page 20

A

Description: **MALE PIPE TO FEMALE PIPE SWIVEL STRAIGHT**
 Part No.: **1404**
 Stainless Part No.: **1404-SS**
 SAE: **140130**

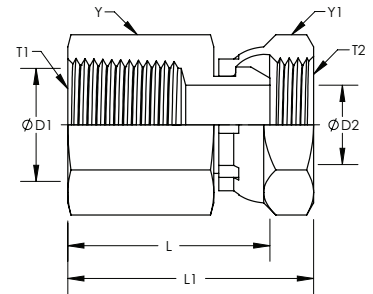
Parker: 207
 Weatherhead: 9205
 Aeroquip: 2046-[R]
 Gates: FP-FPX



1404X16X16	1.500	1.500	1-11-1/2	0.938	1-11-1/2	0.831	2.000	2.000
1404X16X20	1.875	1.875	1-11-1/2	0.938	1-1/4-11-1/2	1.087	2.050	2.050
1404X16X24	2.125	2.125	1-11-1/2	0.938	1-1/2-11-1/2	1.317	2.210	2.210
1404X20X16	1.875	1.500	1-1/4-11-1/2	1.250	1-11-1/2	0.831	2.050	2.050
1404X20X20	1.875	1.875	1-1/4-11-1/2	1.250	1-1/4-11-1/2	1.087	2.100	2.100
1404X20X24	2.125	2.125	1-1/4-11-1/2	1.250	1-1/2-11-1/2	1.317	2.090	2.090
1404X24X20	2.125	1.875	1-1/2-11-1/2	1.500	1-1/4-11-1/2	1.087	2.120	2.120
1404X24X24	2.125	2.125	1-1/2-11-1/2	1.500	1-1/2-11-1/2	1.317	2.270	2.270
1404X32X32	2.625	2.625	2-11-1/2	1.938	2-11-1/2	1.802	2.370	2.370

Description: **FEMALE PIPE TO FEMALE PIPE SWIVEL STRAIGHT**
 Part No.: **1405**
 Stainless Part No.: **1405-SS**
 SAE: **140131**

Parker: 207
 Weatherhead: 9255
 Aeroquip: 2046-[R]
 Gates: FP-FPX

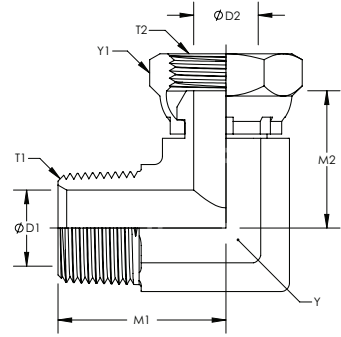


PART #	Y HEX	Y1 HEX	T1	D1	T2	D2	L	L1
1405X02X02	0.563	0.563	1/8-27	0.332	1/8-27	0.150	0.880	1.020
1405X02X04	0.688	0.688	1/8-27	0.332	1/4-18	0.220	1.100	1.290
1405X04X04	0.688	0.688	1/4-18	0.438	1/4-18	0.220	1.230	1.420
1405X04X06	0.688	0.875	1/4-18	0.438	3/8-18	0.340	1.270	1.480
1405X06X04	0.875	0.688	3/8-18	0.563	1/4-18	0.220	1.290	1.480
1405X06X06	0.875	0.875	3/8-18	0.563	3/8-18	0.340	1.310	1.520
1405X06X08	1.000	1.000	3/8-18	0.563	1/2-14	0.460	1.500	1.780
1405X08X04	1.000	0.688	1/2-14	0.703	1/4-18	0.220	1.560	1.750
1405X08X06	0.875	0.875	1/2-14	0.703	3/8-18	0.340	1.450	1.660
1405X08X08	1.000	1.000	1/2-14	0.703	1/2-14	0.460	1.560	1.840
1405X08X12	1.250	1.250	1/2-14	0.703	3/4-14	0.635	1.620	1.970
1405X12X08	1.250	1.000	3/4-14	0.906	1/2-14	0.460	1.630	1.910
1405X12X12	1.250	1.250	3/4-14	0.906	3/4-14	0.635	1.620	1.970
1405X12X16	1.500	1.500	3/4-14	0.906	1-11-1/2	0.831	1.830	2.180
1405X16X12	1.500	1.250	1-11-1/2	1.141	3/4-14	0.635	1.900	2.250
1405X16X16	1.500	1.500	1-11-1/2	1.141	1-11-1/2	0.831	2.000	2.350
1405X20X20	1.875	1.875	1-1/4-11-1/2	1.484	1-1/4-11-1/2	1.087	1.980	2.400
1405X24X24	2.125	2.125	1-1/2-11-1/2	1.744	1-1/2-11-1/2	1.317	2.100	2.520
1405X32X32	2.625	2.625	2-11-1/2	2.213	2-11-1/2	1.802	2.130	2.550

PIPE FITTINGS

A

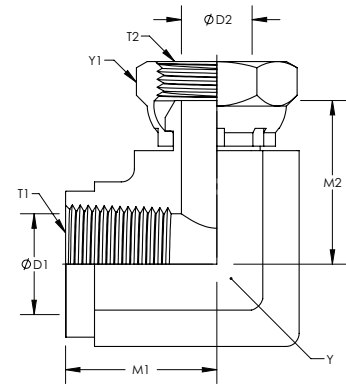
Description: **MALE PIPE TO FEMALE PIPE SWIVEL 90°**
 Part No.: **1501**
 Stainless Part No.: **1501-SS**
 Parker: 2107
 Weatherhead: 9405
 Aeroquip: 2047-[R]
 Gates: MP-FPX90



Part #	Y Hex	Y1 Hex	T1	M1	D1	T2	M2	D2
1501X02X02	0.438	0.563	1/8-27	0.720	0.188	1/8-27	0.700	0.150
1501X02X04	0.563	0.688	1/8-27	0.900	0.188	1/4-18	0.880	0.220
1501X04X02	0.563	0.563	1/4-18	1.090	0.281	1/8-27	0.770	0.150
1501X04X04	0.563	0.688	1/4-18	1.090	0.281	1/4-18	0.880	0.220
1501X04X06	0.750	0.875	1/4-18	1.220	0.281	3/8-18	0.990	0.340
1501X04X08	0.875	1.000	1/4-18	1.280	0.281	1/2-14	1.110	0.460
1501X06X04	0.750	0.688	3/8-18	1.220	0.406	1/4-18	0.990	0.220
1501X06X06	0.750	0.875	3/8-18	1.220	0.406	3/8-18	0.990	0.340
1501X06X08	0.875	1.000	3/8-18	1.280	0.406	1/2-14	1.110	0.460
1501X08X04	0.875	0.688	1/2-14	1.470	0.531	1/4-18	1.020	0.220
1501X08X06	0.875	0.875	1/2-14	1.470	0.531	3/8-18	1.040	0.340
1501X08X08	0.875	1.000	1/2-14	1.470	0.531	1/2-14	1.110	0.460
1501X08X12	1.063	1.250	1/2-14	1.590	0.531	3/4-14	1.300	0.635
1501X12X06	1.063	0.875	3/4-14	1.590	0.719	3/8-18	1.240	0.340
1501X12X08	1.063	1.000	3/4-14	1.590	0.719	1/2-14	1.240	0.460
1501X12X12	1.063	1.250	3/4-14	1.590	0.719	3/4-14	1.300	0.640
1501X12X16	1.313	1.500	3/4-14	1.780	0.719	1-11-1/2	1.540	0.831
1501X16X08	1.313	1.000	1-11-1/2	1.970	0.938	1/2-14	1.430	0.460
1501X16X12	1.313	1.250	1-11-1/2	1.970	0.938	3/4-14	1.430	0.640
1501X16X16	1.313	1.500	1-11-1/2	1.970	0.938	1-11-1/2	1.540	0.831
1501X16X20	1.625	1.875	1-11-1/2	2.350	0.938	1-1/4-11-1/2	1.730	1.087
1501X20X16	1.625	1.500	1-1/4-11-1/2	2.380	1.250	1-11-1/2	1.700	0.831
1501X20X20	1.625	1.875	1-1/4-11-1/2	2.380	1.250	1-1/4-11-1/2	1.730	1.087
1501X20X24	1.875	2.125	1-1/4-11-1/2	2.610	1.250	1-1/2-11-1/2	1.890	1.317
1501X24X20	1.875	1.875	1-1/2-11-1/2	2.640	1.500	1-1/4-11-1/2	1.770	1.087
1501X24X24	1.875	2.125	1-1/2-11-1/2	2.640	1.500	1-1/2-11-1/2	1.890	1.317
1501X32X32	2.500	2.625	2-11-1/2	3.000	1.938	2-11-1/2	2.270	1.802

Description: **FEMALE PIPE TO FEMALE PIPE SWIVEL 90°**
Part No.: **1502**
Stainless Part No.: **1502-SS**

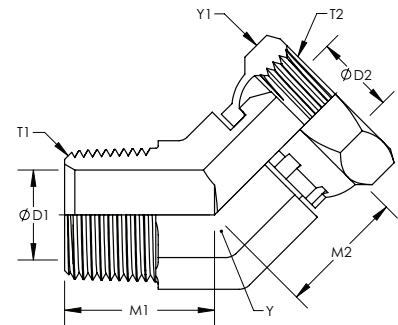
Parker: 2207
Weatherhead: 9455
Aeroquip: 2048-[R]
Gates: FP-FPX90



Part #	Y Hex	Y1 Hex	T1	M1	D1	T2	M2	D2
1502X02X02	0.563	0.563	1/8-27	0.660	0.332	1/8-27	0.800	0.150
1502X04X02	0.750	0.563	1/4-18	0.880	0.438	1/8-27	0.880	0.150
1502X04X04	0.750	0.688	1/4-18	0.880	0.438	1/4-18	0.990	0.220
1502X04X06	0.750	0.875	1/4-18	0.880	0.438	1/4-18	1.010	0.340
1502X06X04	0.875	0.688	3/8-18	1.020	0.563	1/4-18	1.040	0.220
1502X06X06	0.875	0.875	3/8-18	1.020	0.563	3/8-18	1.060	0.340
1502X06X08	0.875	1.000	3/8-18	1.020	0.563	1/2-14	1.130	0.460
1502X08X04	1.063	0.688	1/2-14	1.230	0.703	1/4-18	1.150	0.220
1502X08X06	1.063	0.875	1/2-14	1.230	0.703	3/8-18	1.170	0.340
1502X08X08	1.063	1.000	1/2-14	1.230	0.703	1/2-14	1.240	0.460
1502X08X12	1.063	1.250	1/2-14	1.230	0.703	3/4-14	1.240	0.635
1502X12X08	1.313	1.000	3/4-14	1.360	0.906	1/2-14	1.470	0.460
1502X12X12	1.313	1.250	3/4-14	1.360	0.906	3/4-14	1.470	0.635
1502X12X16	1.313	1.500	3/4-14	1.360	0.906	1-11-1/2	1.580	0.831
1502X16X12	1.625	1.250	1-11-1/2	1.620	1.141	3/4-14	1.620	0.635
1502X16X16	1.625	1.500	1-11-1/2	1.620	1.141	1-11-1/2	1.730	0.831
1502X20X20	1.875	1.875	1-1/4-11-1/2	1.700	1.484	1-1/4-11-1/2	1.830	1.087
1502X24X24	2.562	2.125	1-1/2-11-1/2	2.080	1.744	1-1/2-11-1/2	2.410	1.317
1502X32X32	2.812	2.625	2-11-1/2	2.390	2.213	2-11-1/2	2.570	1.802

Description: **MALE PIPE TO FEMALE PIPE SWIVEL 45°**
Part No.: **1503**
Stainless Part No.: **1503-SS**

Parker: 3107
Weatherhead: 9355
Aeroquip: 2049-[R]
Gates: MP-FPX45



Part #	Y Hex	Y1 Hex	T1	M1	D1	T2	M2	D2
1503X02X02	0.438	0.563	1/8-27	0.520	0.188	1/8-27	0.620	0.150
1503X02X04	0.563	0.688	1/8-27	0.670	0.188	1/4-18	0.730	0.220
1503X04X04	0.563	0.688	1/4-18	0.860	0.281	1/4-18	0.730	0.220
1503X04X06	0.750	0.875	1/4-18	0.950	0.281	3/8-18	0.810	0.340
1503X06X04	0.750	0.688	3/8-18	0.950	0.406	1/4-18	0.790	0.220
1503X06X06	0.750	0.875	3/8-18	0.950	0.406	3/8-18	0.810	0.340
1503X06X08	0.875	1.000	3/8-18	0.980	0.406	1/2-14	0.880	0.460
1503X08X04	0.875	0.688	1/2-14	1.170	0.531	1/4-18	0.790	0.220

Continued on page 24

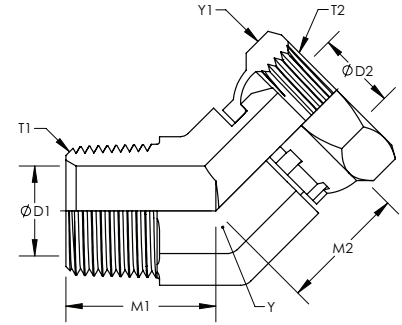
PIPE FITTINGS

Continued from page 23

A

Description: **MALE PIPE TO FEMALE PIPE SWIVEL 45°**
 Part No.: **1503**
 Stainless Part No.: **1503-SS**

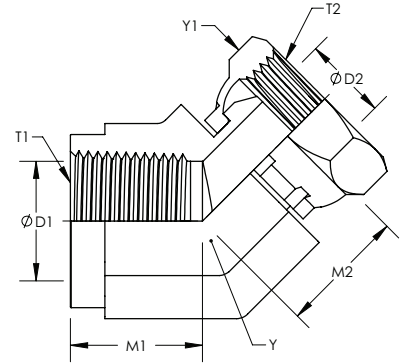
Parker: 3107
 Weatherhead: 9355
 Aeroquip: 2049-[R]
 Gates: MP-FPX45



1503X08X06	0.875	0.875	1/2-14	1.170	0.531	3/8-18	0.810	0.340
1503X08X08	0.875	1.000	1/2-14	1.170	0.531	1/2-14	0.880	0.460
1503X08X12	1.063	1.250	1/2-14	1.200	0.531	3/4-14	1.020	0.635
1503X12X08	1.063	1.000	3/4-14	1.200	0.719	1/2-14	1.020	0.460
1503X12X12	1.063	1.250	3/4-14	1.200	0.719	3/4-14	1.020	0.635
1503X12X16	1.313	1.500	3/4-14	1.290	0.719	1-11-1/2	1.150	0.831
1503X16X12	1.313	1.250	1-11-1/2	1.480	0.938	3/4-14	1.040	0.635
1503X16X16	1.313	1.500	1-11-1/2	1.480	0.938	1-11-1/2	1.150	0.831
1503X16X20	1.625	1.875	1-11-1/2	1.640	0.938	1-1/4-11-1/2	1.230	1.087
1503X20X16	1.625	1.500	1-1/4-11-1/2	1.670	1.250	1-11-1/2	1.200	0.831
1503X20X20	1.625	1.875	1-1/4-11-1/2	1.670	1.250	1-1/4-11-1/2	1.230	1.087
1503X24X24	1.875	2.125	1-1/2-11-1/2	1.770	1.500	1-1/2-11-1/2	1.350	1.317
1503X32X32	2.500	2.625	2-11-1/2	2.110	1.938	2-11-1/2	1.802	1.460

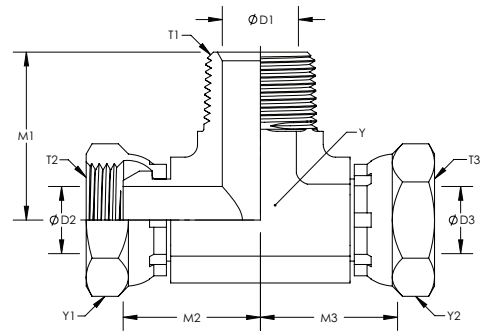
Description: **FEMALE PIPE TO FEMALE PIPE SWIVEL 45°**
 Part No.: **1504**
 Stainless Part No.: **1504-SS**

Parker: 3207
 Weatherhead: 9385
 Aeroquip: 2050-[R]
 Gates: FP-FPX45



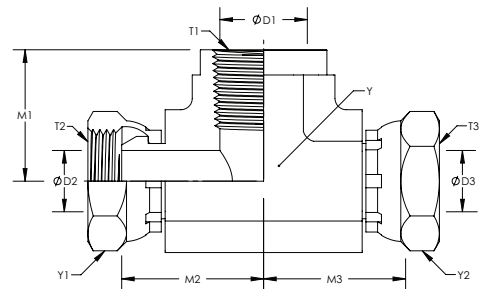
Part #	Y Hex	Y1 Hex	T1	M1	D1	T2	M2	D2
1504X02X02	0.563	0.563	1/8-27	0.500	0.332	1/8-27	0.620	0.150
1504X04X04	0.750	0.688	1/4-18	0.690	0.438	1/4-18	0.760	0.220
1504X06X04	0.875	0.688	3/8-18	0.750	0.563	1/4-18	0.770	0.220
1504X06X06	0.875	0.875	3/8-18	0.750	0.563	3/8-18	0.770	0.340
1504X08X06	1.063	0.875	1/2-14	0.940	0.703	3/8-18	0.830	0.340
1504X08X08	1.063	1.000	1/2-14	0.940	0.703	1/2-14	0.830	0.460
1504X12X12	1.313	1.250	3/4-14	1.000	0.906	3/4-14	0.960	0.635
1504X16X12	1.625	1.250	1-11-1/2	1.190	1.141	3/4-14	1.070	0.635
1504X16X16	1.625	1.500	1-11-1/2	1.190	1.141	1-11-1/2	1.180	0.831
1504X20X20	1.875	1.875	1-1/4-11-1/2	1.440	1.484	1-1/4-11-1/2	1.230	1.087
1504X24X24	2.562	2.125	1-1/2-11-1/2	1.460	1.744	1-1/2-11-1/2	1.460	1.317

Description: **MALE PIPE TO FEMALE PIPE SWIVEL BRANCH TEE**
 Part No.: **1601**
 Stainless Part No.: **1601-SS**
 Parker: 217T
 Weatherhead: 9605
 Aeroquip: 2254-[R]
 Gates: FPX-FPX-MP



Part #	Y Hex	Y1/Y2 HEX	T1	M1	D1	D2/D3	T2/T3	M2/M3
1601X02X02X02	0.438	0.563	1/8-27	0.720	0.188	0.150	1/8-27	0.700
1601X04X04X04	0.563	0.688	1/4-18	1.090	0.281	0.220	1/4-18	0.880
1601X04X06X06	0.750	0.875	1/4-18	1.220	0.281	0.340	3/8-18	0.990
1601X06X04X04	0.750	0.688	3/8-18	1.220	0.406	0.220	1/4-18	0.990
1601X06X06X06	0.750	0.875	3/8-18	1.220	0.406	0.340	3/8-18	0.990
1601X08X04X04	0.875	0.688	1/2-14	1.470	0.531	0.220	1/4-18	1.020
1601X08X06X06	0.875	0.875	1/2-14	1.470	0.531	0.340	3/8-18	1.040
1601X08X08X08	0.875	1.000	1/2-14	1.470	0.531	0.460	1/2-14	1.110
1601X12X08X08	1.063	1.000	3/4-14	1.590	0.719	0.460	1/2-14	1.240
1601X12X12X12	1.063	1.250	3/4-14	1.590	0.719	0.635	3/4-14	1.300
1601X12X16X16	1.313	1.500	3/4-14	1.780	0.719	0.831	1-11-1/2	1.540
1601X16X12X12	1.313	1.250	1-11-1/2	1.970	0.938	0.635	3/4-14	1.430
1601X16X16X16	1.313	1.500	1-11-1/2	1.970	0.938	0.831	1-11-1/2	1.540
1601X20X20X20	1.625	1.875	1-1/4-11-1/2	2.380	1.250	1.087	1-1/4-11-1/2	1.730
1601X24X24X24	1.875	2.125	1-1/2-11-1/2	2.640	1.500	1.317	1-1/2-11-1/2	1.890

Description: **FEMALE PIPE TO FEMALE PIPE SWIVEL BRANCH TEE**
 Part No.: **1602**
 Stainless Part No.: **1602-SS**
 Parker: /
 Weatherhead: 9456
 Aeroquip: 2253-[R]
 Gates: /



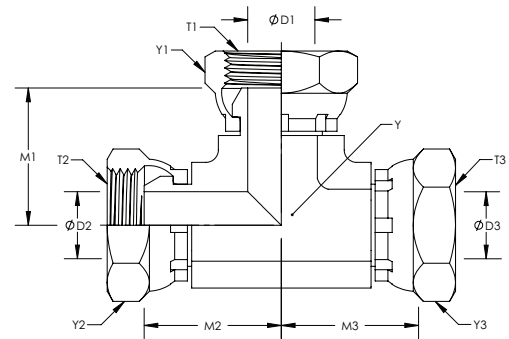
Part #	Y Hex	Y1/Y2 HEX	T1	M1	D1	D2/D3	T2/T3	M2/M3
1602X02X02X02	0.563	0.563	1/8-27	0.660	0.332	0.150	1/8-27	0.800
1602X04X04X04	0.750	0.688	1/4-18	0.880	0.438	0.220	1/4-18	0.990
1602X06X06X06	0.875	0.875	3/8-18	1.020	0.563	0.340	3/8-18	1.060
1602X08X06X06	1.063	0.875	1/2-14	1.230	0.703	0.340	3/8-18	1.170
1602X08X08X08	1.063	1.000	1/2-14	1.230	0.703	0.460	1/2-14	1.240
1602X12X08X08	1.313	1.000	3/4-14	1.360	0.906	0.460	1/2-14	1.470
1602X12X12X12	1.313	1.250	3/4-14	1.360	0.906	0.635	3/4-14	1.470
1602X16X16X16	1.625	1.500	1-11-1/2	1.620	1.141	0.831	1-11-1/2	1.730
1602X20X20X20	1.875	1.875	1-1/4-11-1/2	1.700	1.484	1.087	1-1/4-11-1/2	1.830

PIPE FITTINGS

A

Description: **FEMALE PIPE SWIVEL UNION TEE**
 Part No.: **1603**
 Stainless Part No.: **1603-SS**

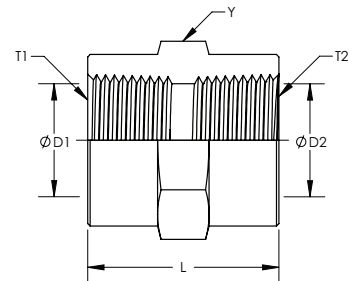
Parker: 077T
 Weatherhead: 9705
 Aeroquip: 2255
 Gates: FPX-FPX-FPX



Part #	Y Hex	Y1/Y2/Y3 HEX	D1/D2/D3	T1/T2/T3	M1/M2/M3
1603X02X02X02	0.438	0.563	0.150	1/8-27	0.700
1603X04X04X04	0.563	0.688	0.220	1/4-18	0.880
1603X06X06X06	0.750	0.875	0.340	3/8-18	0.990
1603X08X08X08	0.750	1.000	0.460	1/2-14	1.110
1603X12X12X12	1.063	1.250	0.635	3/4-14	1.300
1603X16X16X16	1.313	1.500	0.831	1-11-1/2	1.540
1603X20X20X20	1.625	1.875	1.087	1-1/4-11-1/2	1.730

Description: **HEXAGON PIPE COUPLING**
 Part No.: **5000**
 Stainless Part No.: **5000-SS**

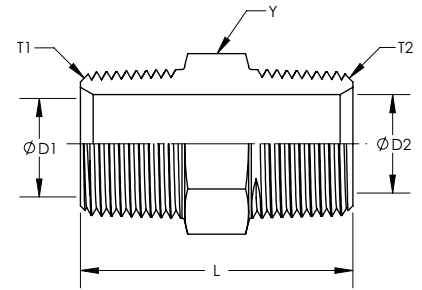
Parker: GG
 Weatherhead: 3309
 Aeroquip: 2096
 Gates: FP-FP



Part #	Y Hex	T1	D1	T2	D2	L
5000X02X02	0.625	1/8-27	0.332	1/8-27	0.332	0.750
5000X04X02	0.750	1/4-18	0.438	1/8-27	0.332	1.130
5000X04X04	0.750	1/4-18	0.438	1/4-18	0.438	1.130
5000X06X02	0.875	3/8-18	0.563	1/8-27	0.332	1.130
5000X06X04	0.875	3/8-18	0.563	1/4-18	0.438	1.130
5000X06X06	0.875	3/8-18	0.563	3/8-18	0.563	1.130
5000X08X04	1.125	1/2-14	0.703	1/4-18	0.438	1.500
5000X08X06	1.125	1/2-14	0.703	3/8-18	0.563	1.500
5000X08X08	1.125	1/2-14	0.703	1/2-14	0.703	1.500
5000X12X06	1.375	3/4-14	0.906	3/8-18	0.563	1.530
5000X12X08	1.375	3/4-14	0.906	1/2-14	0.703	1.530
5000X12X12	1.375	3/4-14	0.906	3/4-14	0.906	1.530
5000X16X08	1.625	1-11-1/2	1.141	1/2-14	0.703	1.890
5000X16X12	1.625	1-11-1/2	1.141	3/4-14	0.906	1.890
5000X16X16	1.625	1-11-1/2	1.141	1-11-1/2	1.141	1.890
5000X20X16	2.000	1-1/4-11-1/2	1.484	1-11-1/2	1.141	1.930
5000X20X20	2.000	1-1/4-11-1/2	1.484	1-1/4-11-1/2	1.484	1.930
5000X24X20	2.375	1-1/2-11-1/2	1.744	1-1/4-11-1/2	1.484	1.930
5000X24X24	2.375	1-1/2-11-1/2	1.744	1-1/2-11-1/2	1.744	1.930
5000X32X24	2.875	2-11-1/2	2.213	1-1/2-11-1/2	1.744	1.960
5000X32X32	2.875	2-11-1/2	2.213	2-11-1/2	2.213	1.960

Description: **HEXAGON PIPE NIPPLE**
 Part No.: **5404**
 Stainless Part No.: **5404-SS**

Parker: FF
 Weatherhead: 3069
 Aeroquip: 2083
 Gates: MP-MP



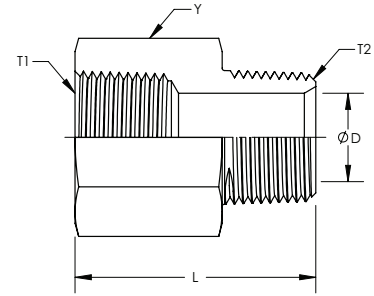
Part #	Y Hex	T1	D1	T2	D2	L
5404X02X02	0.438	1/8-27	0.188	1/8-27	0.188	1.060
5404X04X02	0.625	1/4-18	0.281	1/8-27	0.188	1.260
5404X04X04	0.625	1/4-18	0.281	1/4-18	0.281	1.450
5404X06X02	0.750	3/8-18	0.406	1/8-27	0.188	1.260
5404X06X04	0.750	3/8-18	0.406	1/4-18	0.281	1.450
5404X06X06	0.750	3/8-18	0.406	3/8-18	0.406	1.450
5404X08X02	0.875	1/2-14	0.531	1/8-27	0.188	1.510
5404X08X04	0.875	1/2-14	0.531	1/4-18	0.281	1.700
5404X08X06	0.875	1/2-14	0.531	3/8-18	0.406	1.700
5404X08X08	0.875	1/2-14	0.531	1/2-14	0.531	1.890
5404X12X06	1.125	3/4-14	0.719	3/8-18	0.406	1.770
5404X12X08	1.125	3/4-14	0.719	1/2-14	0.531	1.960
5404X12X12	1.125	3/4-14	0.719	3/4-14	0.719	1.960
5404X16X06	1.375	1-11-1/2	0.938	3/8-18	0.406	1.960
5404X16X08	1.375	1-11-1/2	0.938	1/2-14	0.531	2.150
5404X16X12	1.375	1-11-1/2	0.938	3/4-14	0.719	2.150
5404X16X16	1.375	1-11-1/2	0.938	1-11-1/2	0.938	2.340
5404X20X12	1.750	1-1/4-11-1/2	1.250	3/4-14	0.719	2.260
5404X20X16	1.750	1-1/4-11-1/2	1.250	1-11-1/2	0.938	2.450
5404X20X20	1.750	1-1/4-11-1/2	1.250	1-1/4-11-1/2	1.250	2.480
5404X24X12	2.000	1-1/2-11-1/2	1.500	3/4-14	0.719	2.360
5404X24X16	2.000	1-1/2-11-1/2	1.500	1-11-1/2	0.938	2.550
5404X24X20	2.000	1-1/2-11-1/2	1.500	1-1/4-11-1/2	1.250	2.580
5404X24X24	2.000	1-1/2-11-1/2	1.500	1-1/2-11-1/2	1.500	2.610
5404X32X20	2.500	2-11-1/2	1.938	1-1/4-11-1/2	1.250	2.760
5404X32X24	2.500	2-11-1/2	1.938	1-1/2-11-1/2	1.500	2.790
5404X32X32	2.500	2-11-1/2	1.938	2-11-1/2	1.938	2.820

PIPE FITTINGS

A

Description: **ADAPTER**
 Part No.: **5405**
 WWF Stainless Part No.: **5405-SS**

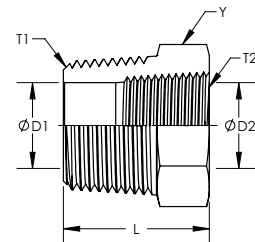
Parker: FG
 Weatherhead: 3209
 Aeroquip: 2040
 Gates: MP-FPL



Part #	Y Hex	T1	D	T2	L
5405X02X02	0.625	1/8-27	0.188	1/8-27	1.040
5405X04X02	0.750	1/4-18	0.188	1/8-27	1.210
5405X04X04	0.750	1/4-18	0.281	1/4-18	1.390
5405X04X06	0.750	1/4-18	0.406	3/8-18	1.410
5405X06X04	0.875	3/8-18	0.281	1/4-18	1.440
5405X06X06	0.875	3/8-18	0.406	3/8-18	1.440
5405X06X08	1.125	3/8-18	0.531	1/2-14	1.870
5405X08X02	1.125	1/2-14	0.188	1/8-27	1.490
5405X08X04	1.125	1/2-14	0.281	1/4-18	1.680
5405X08X06	1.125	1/2-14	0.406	3/8-18	1.680
5405X08X08	1.125	1/2-14	0.531	1/2-14	1.870
5405X12X04	1.375	3/4-14	0.281	1/4-18	1.740
5405X12X06	1.375	3/4-14	0.406	3/8-18	1.740
5405X12X08	1.375	3/4-14	0.531	1/2-14	1.930
5405X12X12	1.375	3/4-14	0.719	3/4-14	1.930
5405X12X16	1.375	3/4-14	0.719	1-11-1/2	1.360
5405X16X12	1.625	1-11-1/2	0.719	3/4-14	2.180
5405X16X16	1.625	1-11-1/2	0.938	1-11-1/2	2.370
5405X16X20	1.750	1-11-1/2	0.938	1-1/4-11-1/2	2.490
5405X20X16	2.000	1-1/4-11-1/2	0.938	1-11-1/2	2.460
5405X24X20	2.375	1-1/2-11-1/2	1.250	1-1/4-11-1/2	2.500
5405X32X24	2.875	2-11-1/2	1.500	1-1/2-11-1/2	2.630

Description: **REDUCER BUSHING**
 Part No.: **5406**
 Stainless Part No.: **5406-SS**

Parker: PTR
 Weatherhead: 3109
 Aeroquip: 2081
 Gates: MP-FPS



Part #	Y Hex	T1	D1	T2	D2	L
5406X04X02	0.625	1/4-18	0.281	1/8-27	0.332	0.850
5406X06X02	0.750	3/8-18	0.332	1/8-27	0.332	0.850
5406X06X04	0.750	3/8-18	0.406	1/4-18	0.438	0.850
5406X08X02	0.875	1/2-14	0.332	1/8-27	0.332	1.100
5406X08X04	0.875	1/2-14	0.438	1/4-18	0.438	1.100
5406X08X06	0.875	1/2-14	0.531	3/8-18	0.563	1.100
5406X12X02	1.125	3/4-14	0.332	1/8-27	0.332	1.170

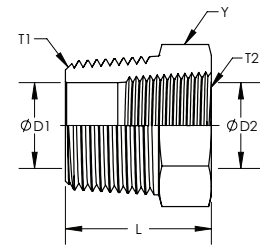
Continued on page 29

Continued from page 28

A

Description: **REDUCER BUSHING**
Part No.: **5406**
Stainless Part No.: **5406-SS**

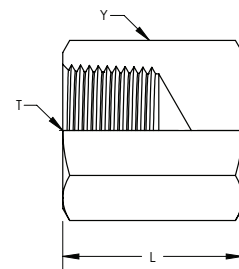
Parker: PTR
Weatherhead: 3109
Aeroquip: 2081
Gates: MP-FPS



5406X12X04	1.125	3/4-14	0.438	1/4-18	0.438	1.170
5406X12X06	1.125	3/4-14	0.563	3/8-18	0.563	1.170
5406X12X08	1.125	3/4-14	0.703	1/2-14	0.703	1.170
5406X16X04	1.375	1-11-1/2	0.438	1/4-18	0.438	1.360
5406X16X06	1.375	1-11-1/2	0.563	3/8-18	0.563	1.360
5406X16X08	1.375	1-11-1/2	0.703	1/2-14	0.703	1.360
5406X16X12	1.375	1-11-1/2	0.906	3/4-14	0.906	1.360
5406X20X04	1.750	1-1/4-11-1/2	0.438	1/4-18	0.438	1.470
5406X20X06	1.750	1-1/4-11-1/2	0.563	3/8-18	0.563	1.470
5406X20X08	1.750	1-1/4-11-1/2	0.703	1/2-14	0.703	1.470
5406X20X12	1.750	1-1/4-11-1/2	0.906	3/4-14	0.906	1.470
5406X20X16	1.750	1-1/4-11-1/2	1.141	1-11-1/2	1.141	1.470
5406X24X06	2.000	1-1/2-11-1/2	0.563	3/8-18	0.563	1.570
5406X24X08	2.000	1-1/2-11-1/2	0.703	1/2-14	0.703	1.570
5406X24X12	2.000	1-1/2-11-1/2	0.906	3/4-14	0.906	1.570
5406X24X16	2.000	1-1/2-11-1/2	1.141	1-11-1/2	1.141	1.570
5406X24X20	2.000	1-1/2-11-1/2	1.484	1-1/4-11-1/2	1.484	1.570
5406X32X20	2.500	2-11-1/2	1.484	1-1/4-11-1/2	1.484	1.750
5406X32X24	2.500	2-11-1/2	1.744	1-1/2-11-1/2	1.744	1.750

Description: **PIPE CAP**
Part No.: **5406C**
Stainless Part No.: **5406C-SS**

Parker: /
Weatherhead: 5406-C
Aeroquip: /
Gates: /



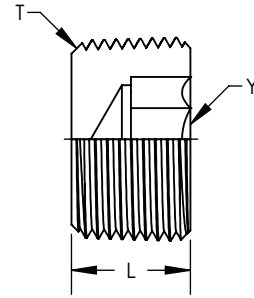
Part #	Y Hex	T	L
5406CX04	0.750	1/4-18	0.910
5406CX06	0.875	3/8-18	1.030
5406CX08	1.063	1/2-14	1.340
5406CX12	1.250	3/4-14	1.440
5406CX16	1.625	1-11-1/2	1.610

PIPE FITTINGS

A

Description: **HEX SOCKET PLUG**
 Part No.: **5406-HP**
 Stainless Part No.: **5406-HP-SS**

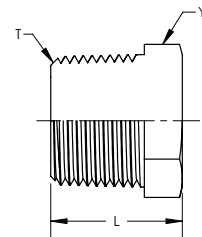
Parker: HHP
 Weatherhead: 3169
 Aeroquip: 2222
 Gates: /



Part #	Y Hex	T	L
5406-HPX01	0.156	1/16-27	0.300
5406-HPX02	0.188	1/8-27	0.300
5406-HPX04	0.250	1/4-18	0.460
5406-HPX06	0.313	3/8-18	0.460
5406-HPX08	0.375	1/2-14	0.610
5406-HPX12	0.563	3/4-14	0.620
5406-HPX16	0.625	1-11-1/2	0.770
5406-HPX20	0.750	1-1/4-11-1/2	0.830
5406-HPX24	1.000	1-1/2-11-1/2	0.830
5406-HPX32	1.000	2-11-1/2	0.830

Description: **HEXAGON OUTSIDE HEAD PIPE PLUG**
 Part No.: **5406-P**
 Stainless Part No.: **5406-P-SS**

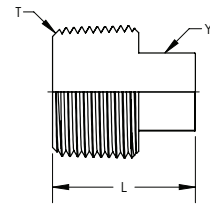
Parker: HP
 Weatherhead: 3159
 Aeroquip: 2082
 Gates: MP-PLUG



Part #	Y Hex	T	L
5406-PX02	0.438	1/8-27	0.568
5406-PX04	0.563	1/4-18	0.751
5406-PX06	0.688	3/8-18	0.782
5406-PX08	0.875	1/2-14	0.972
5406-PX12	1.063	3/4-14	1.064
5406-PX16	1.313	1-11-1/2	1.254
5406-PX20	1.750	1-1/4-11-1/2	1.469
5406-PX24	2.000	1-1/2-11-1/2	1.570
5406-PX32	2.500	2-11-1/2	1.750

Description: **SQUARE INSIDE HEAD PIPE PLUG**
 Part No.: **5406-SHP**
 Stainless Part No.: **5406-SHP-SS**

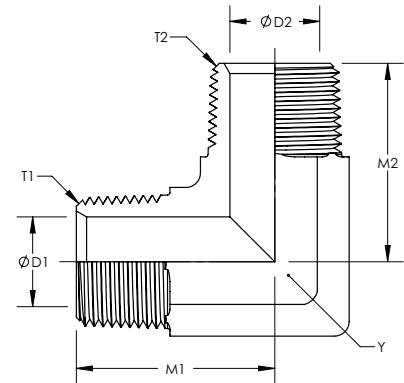
Parker: SHP-S
 Weatherhead: 3179
 Aeroquip: /
 Gates: /



Part #	Y Hex	T	L
5406-SHPX02	0.281	1/8-27	0.587
5406-SHPX04	0.375	1/4-18	0.800
5406-SHPX06	0.438	3/8-18	0.832
5406-SHPX08	0.563	1/2-14	1.075
5406-SHPX12	0.625	3/4-14	1.145
5406-SHPX16	0.813	1-11-1/2	1.370
5406-SHPX20	0.938	1-1/4-11-1/2	1.400

Description: **90° MALE PIPE ELBOW**
 Part No.: **5500**
 Stainless Part No.: **5500-SS**

Parker: CR
 Weatherhead: F3529
 Aeroquip: 2085
 Gates: MP-MP90



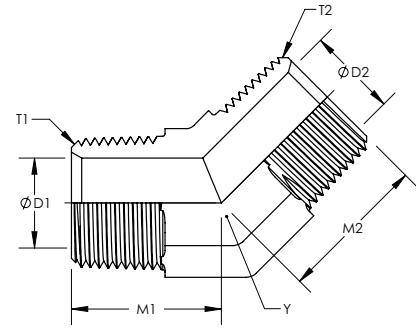
Part #	Y Hex	T1	M1	D1	T2	M2	D2
5500X02X02	0.438	1/8-27	0.780	0.188	1/8-27	0.780	0.188
5500X04X02	0.563	1/4-18	1.090	0.281	1/8-27	0.900	0.188
5500X04X04	0.563	1/4-18	1.090	0.281	1/4-18	1.090	0.281
5500X06X04	0.750	3/8-18	1.220	0.406	1/4-18	1.220	0.281
5500X06X06	0.750	3/8-18	1.220	0.406	3/8-18	1.220	0.406
5500X08X04	0.875	1/2-14	1.470	0.531	1/4-18	1.280	0.281
5500X08X06	0.875	1/2-14	1.470	0.531	3/8-18	1.280	0.406
5500X08X08	0.875	1/2-14	1.470	0.531	1/2-14	1.470	0.531
5500X12X08	1.063	3/4-14	1.590	0.719	1/2-14	1.590	0.531
5500X12X12	1.063	3/4-14	1.590	0.719	3/4-14	1.590	0.719
5500X16X08	1.313	1-11-1/2	1.970	0.938	1/2-14	1.780	0.531
5500X16X12	1.313	1-11-1/2	1.970	0.938	3/4-14	1.780	0.719
5500X16X16	1.313	1-11-1/2	1.970	0.938	1-11-1/2	1.970	0.938
5500X20X20	1.625	1-1/4-11-1/2	2.380	1.250	1-1/4-11-1/2	2.380	1.250
5500X24X24	1.875	1-1/2-11-1/2	2.640	1.500	1-1/2-11-1/2	2.640	1.500

PIPE FITTINGS

A

Description: **45° MALE PIPE ELBOW**
 Part No.: **5501**
 Stainless Part No.: **5501-SS**

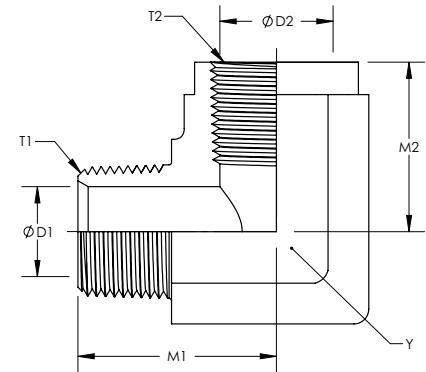
Parker: /
 Weatherhead: 5501
 Aeroquip: 2247
 Gates: /



Part #	Y Hex	T1	M1	D1	T2	M2	D2
5501X04X04	0.563	1/4-18	0.860	0.281	1/4-18	0.860	0.281
5501X06X06	0.750	3/8-18	0.950	0.406	3/8-18	0.950	0.406
5501X08X08	0.875	1/2-14	1.170	0.531	1/2-14	1.170	0.531
5501X12X12	1.063	3/4-14	1.200	0.719	3/4-14	1.200	0.719
5501X16X16	1.313	1-11-1/2	1.480	0.938	1-11-1/2	1.480	0.938
5501X20X20	1.625	1-1/4-11-1/2	1.670	1.250	1-1/4-11-1/2	1.670	1.250
5501X24X24	1.875	1-1/2-11-1/2	1.770	1.500	1-1/2-11-1/2	1.770	1.500

Description: **90° STREET ELBOW**
 Part No.: **5502**
 Stainless Part No.: **5502-SS**

Parker: CD
 Weatherhead: F3409
 Aeroquip: 2089
 Gates: MP-FP90



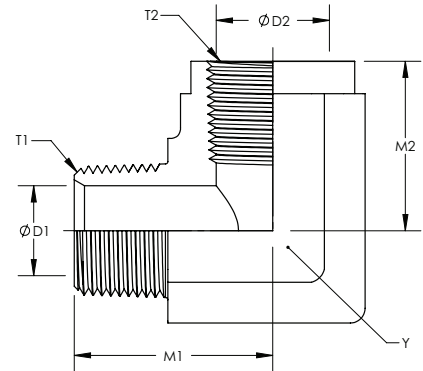
Part #	Y Hex	T1	M1	D1	T2	M2	D2
5502X02X02	0.563	1/8-27	0.780	0.188	1/8-27	0.660	0.332
5502X02X04	0.750	1/8-27	0.900	0.188	1/4-18	0.880	0.438
5502X04X02	0.563	1/4-18	1.090	0.281	1/8-27	0.670	0.332
5502X04X04	0.750	1/4-18	1.090	0.281	1/4-18	0.880	0.438
5502X04X06	0.875	1/4-18	1.220	0.281	3/8-18	1.020	0.563
5502X04X08	1.063	1/4-18	1.280	0.281	1/2-14	1.230	0.703
5502X06X02	0.750	3/8-18	1.220	0.406	1/8-27	0.800	0.332
5502X06X04	0.750	3/8-18	1.220	0.406	1/4-18	1.010	0.438
5502X06X06	0.875	3/8-18	1.220	0.406	3/8-18	1.020	0.563
5502X06X08	1.063	3/8-18	1.280	0.406	1/2-14	1.230	0.703
5502X08X04	0.875	1/2-14	1.470	0.531	1/4-18	1.000	0.438
5502X08X06	0.875	1/2-14	1.470	0.531	3/8-18	1.010	0.563
5502X08X08	1.063	1/2-14	1.470	0.531	1/2-14	1.230	0.703
5502X08X12	1.313	1/2-14	1.590	0.531	3/4-14	1.360	0.906
5502X12X08	1.063	3/4-14	1.590	0.719	1/2-14	1.230	0.703
5502X12X12	1.313	3/4-14	1.590	0.719	3/4-14	1.360	0.906
5502X16X12	1.313	1-11-1/2	1.970	0.938	3/4-14	1.360	0.906

Continued on page 33

Continued from page 32

Description: **90° STREET ELBOW**
Part No.: **5502**
Stainless Part No.: **5502-SS**

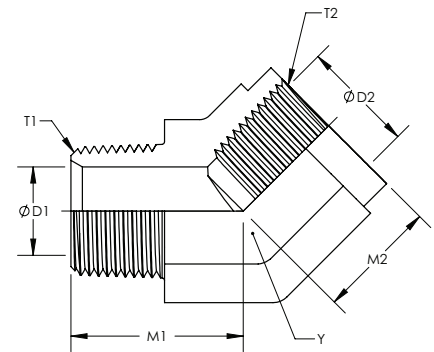
Parker: CD
Weatherhead: F3409
Aeroquip: 2089
Gates: MP-FP90



5502X16X16	1.625	1-11-1/2	1.970	0.938	1-11-1/2	1.620	1.141
5502X16X20	1.875	1-11-1/2	2.350	0.938	1-1/4-11-1/2	1.700	1.484
5502X20X16	1.625	1-1/4-11-1/2	2.380	1.250	1-11-1/2	1.680	1.141
5502X20X20	1.875	1-1/4-11-1/2	2.380	1.250	1-1/4-11-1/2	1.700	1.484
5502X24X20	1.875	1-1/2-11-1/2	2.640	1.500	1-1/4-11-1/2	2.080	1.484
5502X24X24	2.562	1-1/2-11-1/2	2.640	1.500	1-1/2-11-1/2	2.080	1.744
5502X32X32	2.812	2-11-1/2	3.000	1.938	2-11-1/2	2.390	2.213

Description: **45° STREET ELBOW**
Part No.: **5503**
Stainless Part No.: **5503-SS**

Parker: CD45
Weatherhead: F3359
Aeroquip: 2088
Gates: /



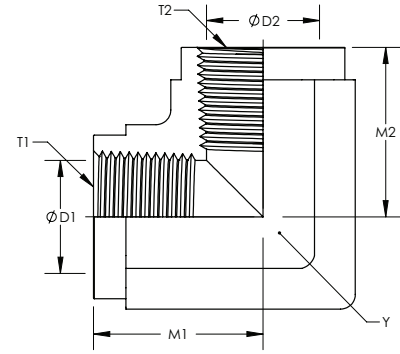
Part #	Y Hex	T1	M1	D1	T2	M2	D2
5503X02X02	0.563	1/8-27	0.720	0.188	1/8-27	0.470	0.332
5503X04X04	0.750	1/4-18	1.050	0.281	1/4-18	0.620	0.438
5503X06X06	0.875	3/8-18	1.060	0.406	3/8-18	0.720	0.563
5503X08X08	1.063	1/2-14	1.340	0.531	1/2-14	0.910	0.703
5503X12X12	1.313	3/4-14	1.380	0.719	3/4-14	0.970	0.906
5503X16X16	1.625	1-11-1/2	1.720	0.938	1-11-1/2	1.120	1.141
5503X20X20	1.875	1-1/4-11-1/2	1.800	1.250	1-1/4-11-1/2	1.630	1.484
5503X24X24	2.562	1-1/2-11-1/2	2.060	1.500	1-1/2-11-1/2	1.690	1.744
5503X32X32	2.812	2-11-1/2	2.150	1.938	2-11-1/2	2.190	2.213

PIPE FITTINGS

A

Description: **90° FEMALE PIPE ELBOW**
 Part No.: **5504**
 Stainless Part No.: **5504-SS**

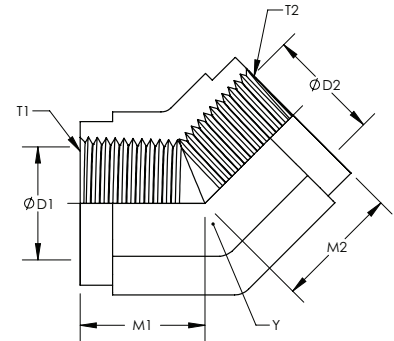
Parker: DD
 Weatherhead: F3509
 Aeroquip: 2087
 Gates: FP-FP90



Part #	Y Hex	T1	M1	D1	T2	M2	D2
5504X02X02	0.563	1/8-27	0.660	0.332	1/8-27	0.660	0.332
5504X04X02	0.750	1/4-18	0.880	0.438	1/8-27	0.670	0.332
5504X04X04	0.750	1/4-18	0.880	0.438	1/4-18	0.880	0.438
5504X06X04	0.875	3/8-18	1.020	0.563	1/4-18	1.010	0.438
5504X06X06	0.875	3/8-18	1.020	0.563	3/8-18	1.020	0.563
5504X08X04	1.063	1/2-14	1.230	0.703	1/4-18	1.000	0.438
5504X08X06	1.063	1/2-14	1.230	0.703	3/8-18	1.010	0.563
5504X08X08	1.063	1/2-14	1.230	0.703	1/2-14	1.230	0.703
5504X12X08	1.313	3/4-14	1.360	0.906	1/2-14	1.350	0.703
5504X12X12	1.313	3/4-14	1.360	0.906	3/4-14	1.360	0.906
5504X16X12	1.625	1-11-1/2	1.620	1.141	3/4-14	1.390	0.906
5504X16X16	1.625	1-11-1/2	1.620	1.141	1-11-1/2	1.620	1.141
5504X20X20	1.875	1-1/4-11-1/2	1.700	1.484	1-1/4-11-1/2	1.700	1.484
5504X24X24	2.562	1-1/2-11-1/2	2.080	1.744	1-1/2-11-1/2	2.080	1.744

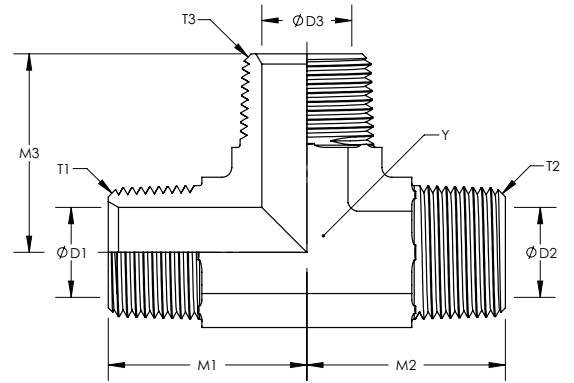
Description: **45° FEMALE PIPE ELBOW**
 Part No.: **5505**
 Stainless Part No.: **5505-SS**

Parker: DD45
 Weatherhead: F3559
 Aeroquip: /
 Gates: /



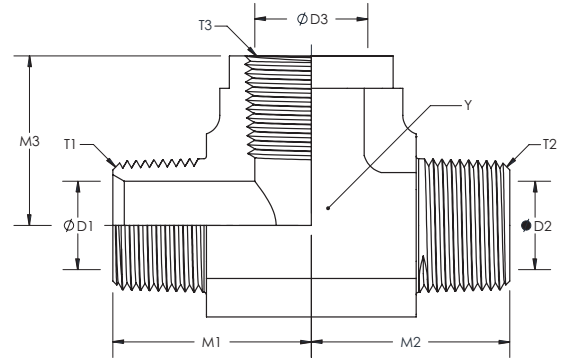
Part #	Y Hex	T	M1	D1	T2	M2	D2
5505X02X02	0.563	1/8-27	0.500	0.332	1/8-27	0.500	0.332
5505X04X04	0.750	1/4-18	0.690	0.438	1/4-18	0.690	0.438
5505X06X06	0.875	3/8-18	0.750	0.563	3/8-18	0.750	0.563
5505X08X08	1.063	1/2-14	0.940	0.703	1/2-14	0.940	0.703
5505X12X12	1.313	3/4-14	1.000	0.906	3/4-14	1.000	0.906
5505X16X16	1.625	1-11-1/2	1.190	1.141	1-11-1/2	1.190	1.141

Description: **MALE PIPE TEE**
 Part No.: **5600**
 Stainless Part No.: **5600-SS**
 Parker: F50G5
 Weatherhead: 5600
 Aeroquip: FF1010
 Gates: /



Part #	Y Hex	T1	M1	D1	T2	M2	D2	T3	M3	D3
5600X02X02X02	0.438	1/8-27	0.780	0.188	1/8-27	0.780	0.188	1/8-27	0.780	0.188
5600X04X04X04	0.563	1/4-18	1.090	0.281	1/4-18	1.090	0.281	1/4-18	1.090	0.281
5600X06X06X06	0.750	3/8-18	1.220	0.406	3/8-18	1.220	0.406	3/8-18	1.220	0.406
5600X08X08X08	0.875	1/2-14	1.470	0.531	1/2-14	1.470	0.531	1/2-14	1.470	0.531
5600X12X12X12	1.063	3/4-14	1.590	0.719	3/4-14	1.590	0.719	3/4-14	1.590	0.719
5600X16X16X16	1.313	1-11-1/2	1.970	0.938	1-11-1/2	1.970	0.938	1-11-1/2	1.970	0.938

Description: **FEMALE BRANCH TEE**
 Part No.: **5601**
 Stainless Part No.: **5601-SS**
 Parker: /
 Weatherhead: 5601
 Aeroquip: 2256
 Gates: /



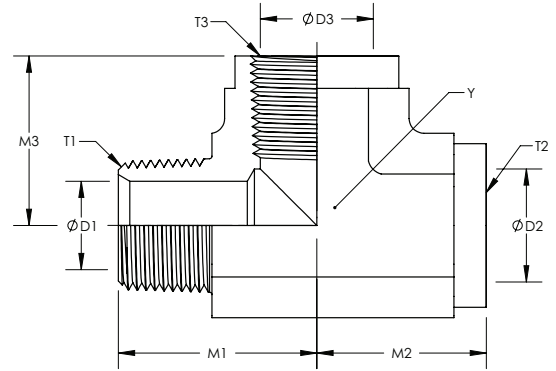
Part #	Y Hex	T1	M1	D1	T2	M2	D2	T3	M3	D3
5601X02X02X02	0.563	1/8-27	0.780	0.188	1/8-27	0.780	0.188	1/8-27	0.660	0.332
5601X04X04X04	0.750	1/4-18	1.090	0.281	1/4-18	1.090	0.281	1/4-18	0.880	0.438
5601X06X06X06	0.875	3/8-18	1.220	0.406	3/8-18	1.220	0.406	3/8-18	1.020	0.563
5601X08X08X08	1.063	1/2-14	1.470	0.531	1/2-14	1.470	0.531	1/2-14	1.230	0.703
5601X12X12X12	1.313	3/4-14	1.590	0.719	3/4-14	1.590	0.719	3/4-14	1.360	0.906
5601X16X16X16	1.625	1-11-1/2	1.970	0.938	1-11-1/2	1.970	0.938	1-11-1/2	1.620	1.141
5601X20X20X20	1.875	1-1/4-11-1/2	2.380	1.250	1-1/4-11-1/2	2.380	1.250	1-1/4-11-1/2	1.700	1.484
5601X24X24X24	2.562	1-1/2-11-1/2	2.640	1.500	1-1/2-11-1/2	2.640	1.500	1-1/2-11-1/2	2.080	1.744

PIPE FITTINGS

A

Description: **MALE RUN TEE**
 Part No.: **5602**
 Stainless Part No.: **5602-SS**

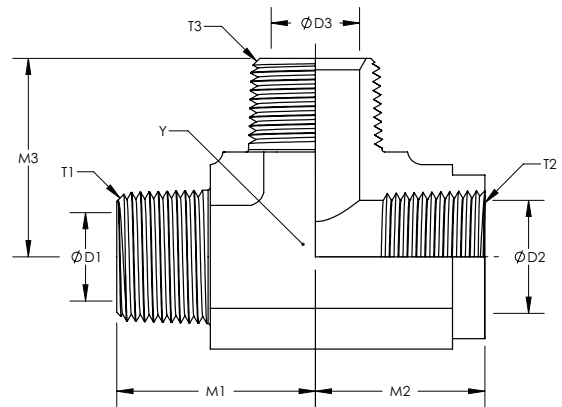
Parker: MRO
 Weatherhead: F3759
 Aeroquip: 2092
 Gates: /



Part #	Y Hex	T1	M1	D1	T2	M2	D2	T3	M3	D3
5602X02X02X02	0.563	1/8-27	0.780	0.188	1/8-27	0.660	0.332	1/8-27	0.660	0.332
5602X04X04X04	0.750	1/4-18	1.090	0.281	1/4-18	0.880	0.438	1/4-18	0.880	0.438
5602X06X06X06	0.875	3/8-18	1.220	0.406	3/8-18	1.020	0.563	3/8-18	1.020	0.563
5602X08X08X08	1.063	1/2-14	1.470	0.531	1/2-14	1.230	0.703	1/2-14	1.230	0.703
5602X12X12X12	1.313	3/4-14	1.590	0.719	3/4-14	1.360	0.906	3/4-14	1.360	0.906
5602X16X16X16	1.625	1-11-1/2	1.970	0.938	1-11-1/2	1.620	1.141	1-11-1/2	1.620	1.141
5602X20X20X20	1.875	1-1/4-11-1/2	2.380	1.250	1-1/4-11-1/2	1.700	1.484	1-1/4-11-1/2	1.700	1.484
5602X24X24X24	2.562	1-1/2-11-1/2	2.640	1.500	1-1/2-11-1/2	2.080	1.744	1-1/2-11-1/2	2.080	1.744

Description: **FEMALE RUN TEE**
 Part No.: **5603**
 Stainless Part No.: **5603-SS**

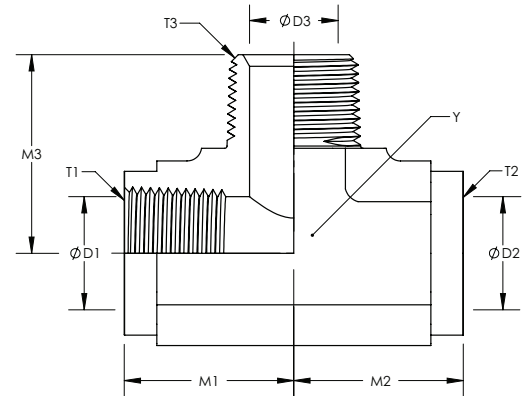
Parker: /
 Weatherhead: F3809
 Aeroquip: 2093
 Gates: /



Part #	Y Hex	T1	M1	D1	T2	M2	D2	T3	M3	D3
5603X02X02X02	0.563	1/8-27	0.780	0.188	1/8-27	0.660	0.332	1/8-27	0.780	0.188
5603X04X04X04	0.750	1/4-18	1.090	0.281	1/4-18	0.880	0.438	1/4-18	1.090	0.281
5603X06X06X06	0.875	3/8-18	1.220	0.406	3/8-18	1.020	0.563	3/8-18	1.220	0.406
5603X08X08X08	1.063	1/2-14	1.470	0.531	1/2-14	1.230	0.703	1/2-14	1.470	0.531
5603X12X12X12	1.313	3/4-14	1.590	0.719	3/4-14	1.360	0.906	3/4-14	1.590	0.719
5603X16X16X16	1.625	1-11-1/2	1.970	0.938	1-11-1/2	1.620	1.141	1-11-1/2	1.970	0.938
5603X20X20X20	1.875	1-1/4-11-1/2	2.380	1.250	1-1/4-11-1/2	1.700	1.484	1-1/4-11-1/2	2.380	1.250
5603X24X24X24	2.562	1-1/2-11-1/2	2.640	1.500	1-1/2-11-1/2	2.080	1.744	1-1/2-11-1/2	2.640	1.500

Description: **MALE BRANCH TEE**
 Part No.: **5604**
 Stainless Part No.: **5604-SS**

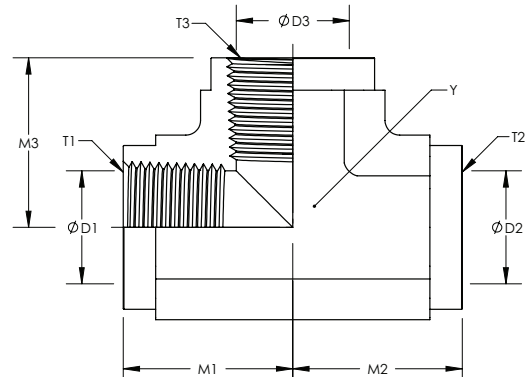
Parker: MMS
 Weatherhead: F3609
 Aeroquip: 2091
 Gates: FP-FP-MP



Part #	Y Hex	T1	M1	D1	T2	M2	D2	T3	M3	D3
5604X02X02X02	0.563	1/8-27	0.660	0.332	1/8-27	0.660	0.332	1/8-27	0.780	0.188
5604X04X04X04	0.750	1/4-18	0.880	0.438	1/4-18	0.880	0.438	1/4-18	1.090	0.281
5604X06X06X06	0.875	3/8-18	1.020	0.563	3/8-18	1.020	0.563	3/8-18	1.220	0.406
5604X08X08X08	1.063	1/2-14	1.230	0.703	1/2-14	1.230	0.703	1/2-14	1.470	0.531
5604X12X12X12	1.313	3/4-14	1.360	0.906	3/4-14	1.360	0.906	3/4-14	1.590	0.719
5604X16X16X16	1.625	1-11-1/2	1.620	1.141	1-11-1/2	1.620	1.141	1-11-1/2	1.970	0.938
5604X20X20X20	1.875	1-1/4-11-1/2	1.700	1.484	1-1/4-11-1/2	1.700	1.484	1-1/4-11-1/2	2.380	1.250
5604X24X24X24	2.562	1-1/2-11-1/2	2.080	1.744	1-1/2-11-1/2	2.080	1.744	1-1/2-11-1/2	2.640	1.500

Description: **FEMALE PIPE TEE**
 Part No.: **5605**
 Stainless Part No.: **5605-SS**

Parker: MMO
 Weatherhead: F3709
 Aeroquip: 2090
 Gates: FP-FP-FP



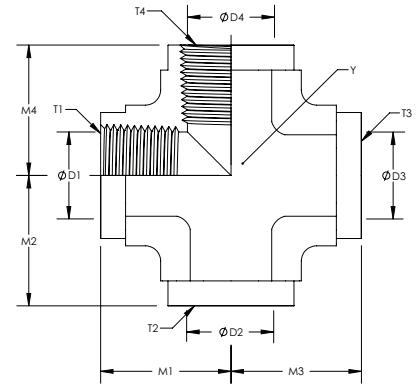
Part #	Y Hex	T1	M1	D1	T2	M2	D2	T3	M3	D3
5605X02X02X02	0.563	1/8-27	0.660	0.332	1/8-27	0.660	0.332	1/8-27	0.660	0.332
5605X04X04X04	0.750	1/4-18	0.880	0.438	1/4-18	0.880	0.438	1/4-18	0.880	0.438
5605X06X04X06	0.875	3/8-18	1.020	0.563	1/4-18	1.010	0.438	3/8-18	1.020	0.563
5605X06X06X06	0.875	3/8-18	1.020	0.563	3/8-18	1.020	0.563	3/8-18	1.020	0.563
5605X08X08X08	1.063	1/2-14	1.230	0.703	1/2-14	1.230	0.703	1/2-14	1.230	0.703
5605X12X12X12	1.313	3/4-14	1.360	0.906	3/4-14	1.360	0.906	3/4-14	1.360	0.906
5605X16X16X16	1.625	1-11-1/2	1.620	1.141	1-11-1/2	1.620	1.141	1-11-1/2	1.620	1.141
5605X20X20X20	1.875	1-1/4-11-1/2	1.700	1.484	1-1/4-11-1/2	1.700	1.484	1-1/4-11-1/2	1.700	1.484
5605X24X24X24	2.562	1-1/2-11-1/2	2.080	1.744	1-1/2-11-1/2	2.080	1.744	1-1/2-11-1/2	2.080	1.744
5605X32X32X32	2.812	2-11-1/2	2.390	2.213	2-11-1/2	2.390	2.213	2-11-1/2	2.390	2.213

PIPE FITTINGS

A

Description: **FEMALE PIPE CROSS**
 Part No.: **5652**
 Stainless Part No.: **5652-SS**

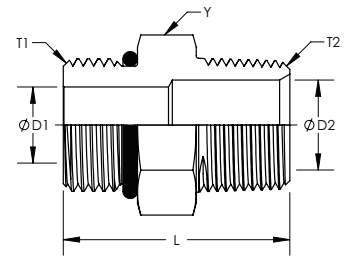
Parker: **KMMOO**
 Weatherhead: **F3959**
 Aeroquip: **2080**
 Gates: **/**



Part #	Y Hex	T1/T3	M1/M3	D1/D3	T2/T4	M2/M4	D2/D4
5652X02X02X02X02	0.563	1/8-27	0.660	0.332	1/8-27	0.660	0.332
5652X04X04X04X04	0.750	1/4-18	0.880	0.438	1/4-18	0.880	0.438
5652X06X06X06X06	0.875	3/8-18	1.020	0.563	3/8-18	1.020	0.563
5652X08X08X08X08	1.063	1/2-14	1.230	0.703	1/2-14	1.230	0.703
5652X12X12X12X12	1.313	3/4-14	1.360	0.906	3/4-14	1.360	0.906
5652X16X16X16X16	1.625	1-11-1/2	1.620	1.141	1-11-1/2	1.620	1.141
5652X20X20X20X20	1.875	1-1/4-11-1/2	1.700	1.484	1-1/4-11-1/2	1.700	1.484
5652X24X24X24X24	2.562	1-1/2-11-1/2	2.080	1.744	1-1/2-11-1/2	2.080	1.744
5652X32X32X32X32	2.812	2-11-1/2	2.390	2.213	2-11-1/2	2.390	2.213

Description: **MALE SAE TO MALE PIPE ADAPTER**
 Part No.: **6401**
 Stainless Part No.: **6401-SS**

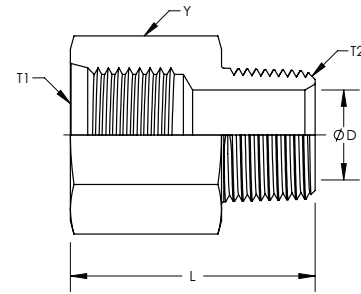
Parker: **F5OF**
 Weatherhead: **3249**
 Aeroquip: **/**
 Gates: **/**



Part #	Y Hex	T1	D1	T2	D2	L
6401X04X02	0.563	7/16-20	0.172	1/8-27	0.188	1.040
6401X04X04	0.563	7/16-20	0.172	1/4-18	0.281	1.230
6401X05X04	0.625	1/2-20	0.234	1/4-18	0.281	1.230
6401X06X04	0.688	9/16-18	0.297	1/4-18	0.281	1.261
6401X06X06	0.750	9/16-18	0.297	3/8-18	0.406	1.261
6401X06X08	0.875	9/16-18	0.297	1/2-14	0.531	1.481
6401X08X06	0.875	3/4-16	0.391	3/8-18	0.406	1.338
6401X08X08	0.875	3/4-16	0.391	1/2-14	0.531	1.528
6401X08X12	1.125	3/4-16	0.391	3/4-14	0.719	1.760
6401X10X04	1.000	7/8-14	0.484	1/4-18	0.281	1.280
6401X10X06	1.000	7/8-14	0.484	3/8-18	0.406	1.460
6401X10X08	1.000	7/8-14	0.484	1/2-14	0.531	1.650
6401X10X12	1.125	7/8-14	0.484	3/4-14	0.719	1.650
6401X12X06	1.250	1-1/16-12	0.609	3/8-18	0.406	1.624
6401X12X08	1.250	1-1/16-12	0.609	1/2-14	0.531	1.814
6401X12X12	1.250	1-1/16-12	0.609	3/4-14	0.719	1.814
6401X16X12	1.500	1-5/16-12	0.844	3/4-14	0.719	1.844
6401X16X16	1.500	1-5/16-12	0.844	1-11-1/2	0.938	2.050
6401X20X20	1.875	1-5/8-12	1.078	1-1/4-11-1/2	1.250	2.144
6401X24X24	2.000	1-7/8-12	1.313	1-1/2-11-1/2	1.500	2.244
6401X32X32	2.750	2-1/2-12	1.781	2-11-1/2	1.938	2.434

Description: **FEMALE STRAIGHT TO MALE PIPE ADAPTER**
 Part No.: **6404**
 Stainless Part No.: **6404-SS**

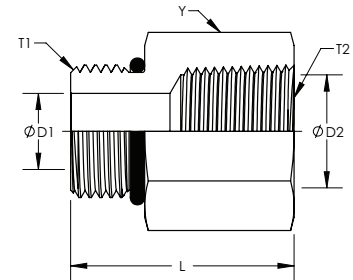
Parker: FHG5
 Weatherhead: 3239
 Aeroquip: 2246-[R]
 Gates: FB-MP



Part #	Y Hex	T1	D	T2	L
6404X04X02	0.688	7/16-20	0.188	1/8-27	1.130
6404X04X04	0.688	7/16-20	0.281	1/4-18	1.320
6404X05X02	0.750	1/2-20	0.188	1/8-27	1.370
6404X06X04	0.875	9/16-18	0.281	1/4-18	1.590
6404X06X06	0.875	9/16-18	0.406	3/8-18	1.400
6404X06X08	0.875	9/16-18	0.531	1/2-14	1.450
6404X08X06	1.000	3/4-16	0.406	3/8-18	1.500
6404X08X08	1.000	3/4-16	0.531	1/2-14	1.690
6404X10X08	1.125	7/8-14	0.531	1/2-14	1.820
6404X12X12	1.375	1-1/16-12	0.719	3/4-14	1.960
6404X16X16	1.625	1-5/16-12	0.938	1-11-1/2	2.220

Description: **STRAIGHT THREAD O RING ADAPTER**
 Part No.: **6405**
 Stainless Part No.: **6405-SS**

Parker: F5OG
 Weatherhead: 3269
 Aeroquip: 2216-[R]
 Gates: MB-FP



Part #	Y Hex	T1	D1	T2	D2	L
6405X04X02	0.563	7/16-20	0.172	1/8-27	0.332	1.000
6405X04X04	0.750	7/16-20	0.172	1/4-18	0.438	1.205
6405X04X06	0.875	7/16-20	0.172	3/8-18	0.563	1.351
6405X05X02	0.625	1/2-20	0.234	1/8-27	0.332	0.980
6405X05X04	0.750	1/2-20	0.234	1/4-18	0.438	1.205
6405X06X02	0.750	9/16-18	0.297	1/8-27	0.332	1.025
6405X06X04	0.750	9/16-18	0.297	1/4-18	0.438	1.235
6405X06X06	0.875	9/16-18	0.297	3/8-18	0.563	1.301
6405X06X08	1.125	9/16-18	0.297	1/2-14	0.703	1.642
6405X08X02	0.875	3/4-16	0.391	1/8-27	0.332	1.121
6405X08X04	0.875	3/4-16	0.391	1/4-18	0.438	1.331
6405X08X06	0.875	3/4-16	0.391	3/8-18	0.563	1.341
6405X08X08	1.125	3/4-16	0.391	1/2-14	0.703	1.572
6405X08X12	1.375	3/4-16	0.391	3/4-14	0.906	1.760
6405X10X04	1.000	7/8-14	0.484	1/4-18	0.438	1.402

Continued on page 40

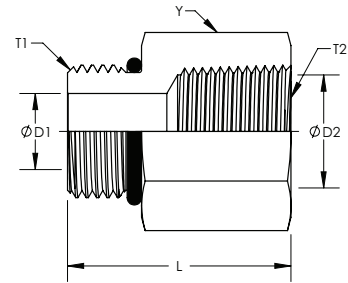
PIPE FITTINGS

Continued from page 39

A

Description: **STRAIGHT THREAD O RING ADAPTER**
 Part No.: **6405**
 Stainless Part No.: **6405-SS**

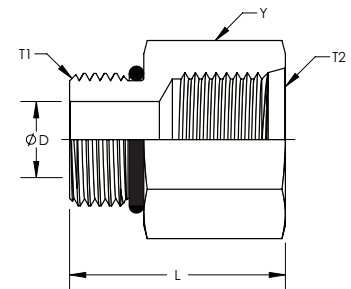
Parker: F5OG
 Weatherhead: 3269
 Aeroquip: 2216-[R]
 Gates: MB-FP



6405X10X06	1.000	7/8-14	0.484	3/8-18	0.563	1.412
6405X10X08	1.125	7/8-14	0.484	1/2-14	0.703	1.632
6405X10X12	1.375	7/8-14	0.484	3/4-14	0.906	1.700
6405X12X04	1.250	1-1/16-12	0.609	1/4-18	0.438	1.550
6405X12X06	1.250	1-1/16-12	0.609	3/8-18	0.563	1.560
6405X12X08	1.250	1-1/16-12	0.609	1/2-14	0.703	1.780
6405X12X12	1.375	1-1/16-12	0.609	3/4-14	0.906	1.790
6405X12X16	1.625	1-1/16-12	0.609	1-11-1/2	1.141	2.033
6405X14X12	1.375	1-3/16-12	0.719	3/4-14	0.906	1.764
6405X16X06	1.500	1-5/16-12	0.844	3/8-18	0.563	1.573
6405X16X08	1.500	1-5/16-12	0.844	1/2-14	0.703	1.793
6405X16X12	1.500	1-5/16-12	0.844	3/4-14	0.906	1.803
6405X16X16	1.625	1-5/16-12	0.844	1-11-1/2	1.141	2.033
6405X16X20	2.000	1-5/16-12	0.844	1-1/4-11-1/2	1.484	2.286
6405X20X12	1.875	1-5/8-12	1.078	3/4-14	0.906	1.876
6405X20X16	1.875	1-5/8-12	1.078	1-11-1/2	1.141	2.106
6405X20X20	2.000	1-5/8-12	1.078	1-1/4-11-1/2	1.484	2.126
6405X20X24	2.375	1-5/8-12	1.078	1-1/2-11-1/2	1.744	2.291
6405X24X12	2.125	1-7/8-12	1.313	3/4-14	0.906	1.270
6405X24X16	2.125	1-7/8-12	1.313	1-11-1/2	1.141	2.111
6405X24X20	2.125	1-7/8-12	1.313	1-1/4-11-1/2	1.484	2.131
6405X24X24	2.375	1-7/8-12	1.313	1-1/2-11-1/2	1.744	2.131
6405X32X32	2.875	2-1/2-12	1.781	2-11-1/2	2.213	2.231

Description: **MALE SAE TO FEMALE SAE ADAPTER**
 Part No.: **6410**
 Stainless Part No.: **6410-SS**

Parker: F50G5
 Weatherhead: 6410
 Aeroquip: FF1010
 Gates: /



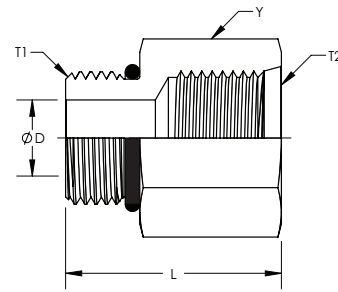
Part #	Y Hex	T1	D	T2	L
6410X02X04	0.688	5/16-24	0.063	7/16-20	1.130
6410X04X02	0.563	7/16-20	0.172	5/16-24	1.080
6410X04X04	0.688	7/16-20	0.172	7/16-20	1.080
6410X04X06	0.813	7/16-20	0.172	9/16-18	1.240
6410X04X08	1.063	7/16-20	0.172	3/4-16	1.350
6410X05X04	0.688	1/2-20	0.234	7/16-20	1.080

Continued on page 41

Continued from page 40

Description: **MALE SAE TO FEMALE SAE ADAPTER**
 Part No.: **6410**
 Stainless Part No.: **6410-SS**

Parker: F50G5
 Weatherhead: 6410
 Aeroquip: FF1010
 Gates: /



A

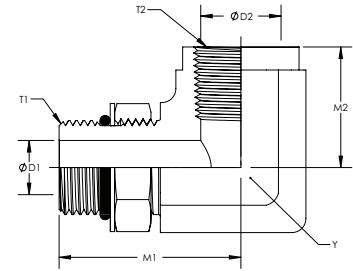
6410X05X06	0.813	1/2-20	0.234	9/16-18	1.240
6410X06X04	0.688	9/16-18	0.297	7/16-20	1.120
6410X06X06	0.813	9/16-18	0.297	9/16-18	1.160
6410X06X08	1.063	9/16-18	0.297	3/4-16	1.380
6410X08X04	0.875	3/4-16	0.391	7/16-20	1.160
6410X08X06	0.875	3/4-16	0.391	9/16-18	1.160
6410X08X08	1.063	3/4-16	0.391	3/4-16	1.470
6410X08X10	1.125	3/4-16	0.391	7/8-14	1.560
6410X08X12	1.375	3/4-16	0.391	1-1/16-12	1.730
6410X10X04	1.000	7/8-14	0.484	7/16-20	0.910
6410X10X06	1.000	7/8-14	0.484	9/16-18	1.270
6410X10X08	1.063	7/8-14	0.484	3/4-16	1.380
6410X10X10	1.125	7/8-14	0.484	7/8-14	1.690
6410X10X12	1.375	7/8-14	0.484	1-1/16-12	1.790
6410X12X06	1.250	1-1/16-12	0.609	9/16-18	1.000
6410X12X08	1.250	1-1/16-12	0.609	3/4-16	1.480
6410X12X10	1.250	1-1/16-12	0.609	7/8-14	1.570
6410X12X12	1.375	1-1/16-12	0.609	1-1/16-12	1.730
6410X12X16	1.625	1-1/16-12	0.609	1-5/16-12	1.880
6410X14X12	1.375	1-3/16-12	0.719	1-1/16-12	1.730
6410X16X08	1.500	1-5/16-12	0.844	3/4-16	1.000
6410X16X10	1.500	1-5/16-12	0.844	7/8-14	1.570
6410X16X12	1.500	1-5/16-12	0.844	1-1/16-12	1.730
6410X16X14	1.625	1-5/16-12	0.844	1-3/16-12	1.730
6410X16X16	1.625	1-5/16-12	0.844	1-5/16-12	1.730
6410X16X20	2.125	1-5/16-12	0.844	1-5/8-12	1.970
6410X20X06	1.875	1-5/8-12	1.078	9/16-18	1.000
6410X20X08	1.875	1-5/8-12	1.078	3/4-16	1.000
6410X20X10	1.875	1-5/8-12	1.078	7/8-14	1.000
6410X20X12	1.875	1-5/8-12	1.078	1-1/16-12	1.000
6410X20X16	1.875	1-5/8-12	1.078	1-5/16-12	1.730
6410X20X24	2.250	1-5/8-12	1.078	1-7/8-12	1.980
6410X24X12	2.125	1-7/8-12	1.313	1-1/16-12	1.000
6410X24X16	2.125	1-7/8-12	1.313	1-5/16-12	1.730
6410X24X20	2.125	1-7/8-12	1.313	1-5/8-12	1.790
6410X32X20	2.750	2-1/2-12	1.781	1-5/8-12	1.000
6410X32X24	2.750	2-1/2-12	1.781	1-7/8-12	1.800

PIPE FITTINGS

A

Description: **90° STRAIGHT THREAD ELBOW**
 Part No.: **6805**
 Stainless Part No.: **6805-SS**

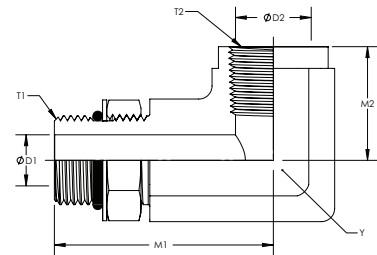
Parker: AOEG
 Weatherhead: F3459
 Aeroquip: 206801-[R]
 Gates: /



Part #	Y Hex	T1	M1	D1	T2	M2	D2
6805X04X02	0.563	7/16-20	1.190	0.172	1/8-27	0.660	0.332
6805X04X04	0.750	7/16-20	1.260	0.172	1/4-18	0.880	0.438
6805X06X04	0.750	9/16-18	1.320	0.297	1/4-18	0.880	0.438
6805X06X06	0.875	9/16-18	1.410	0.297	3/8-18	1.020	0.563
6805X08X06	0.875	3/4-16	1.540	0.391	3/8-18	1.020	0.563
6805X08X08	1.063	3/4-16	1.620	0.391	1/2-14	1.230	0.703
6805X10X06	0.875	7/8-14	1.700	0.484	3/8-18	1.020	0.563
6805X10X08	1.063	7/8-14	1.780	0.484	1/2-14	1.230	0.703
6805X12X08	1.063	1-1/16-12	1.940	0.609	1/2-14	1.230	0.703
6805X12X12	1.313	1-1/16-12	2.050	0.609	3/4-14	1.360	0.906
6805X14X12	1.313	1-3/16-12	2.000	0.719	3/4-14	1.360	0.906
6805X16X12	1.313	1-5/16-12	2.050	0.844	3/4-14	1.360	0.906
6805X16X16	1.625	1-5/16-12	2.250	0.844	1-11-1/2	1.620	1.141
6805X20X20	1.875	1-5/8-12	2.390	1.078	1-1/4-11-1/2	1.700	1.484
6805X24X24	2.562	1-7/8-12	2.890	1.313	1-1/2-11-1/2	2.080	1.744

Description: **90° STRAIGHT THREAD PIPE ELBOW - LONG**
 Part No.: **6805-L**
 Stainless Part No.: **6805-L-SS**

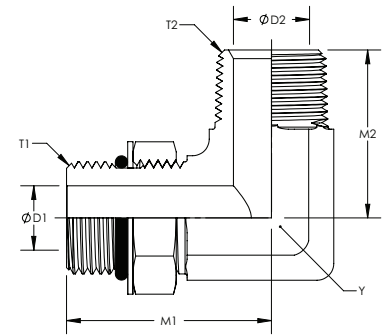
Parker: DD
 Weatherhead: F3469
 Aeroquip: 206804-[R]
 Gates: /



Part #	Y Hex	T1	M1	D1	T2	M2	D2
6805-LX08X08	1.063	3/4-16	2.100	0.391	1/2-14	1.230	0.703
6805-LX10X08	1.063	7/8-14	2.260	0.484	1/2-14	1.230	0.703
6805-LX12X12	1.313	1-1/16-12	2.620	0.609	3/4-14	1.360	0.906
6805-LX16X16	1.625	1-5/16-12	3.060	0.844	1-11-1/2	1.620	1.141

Description: **90° STRAIGHT THREAD MALE TO MALE PIPE ELBOW**
 Part No.: **6806**
 Stainless Part No.: **6806-SS**

Parker: /
 Weatherhead: F3569
 Aeroquip: /
 Gates: /



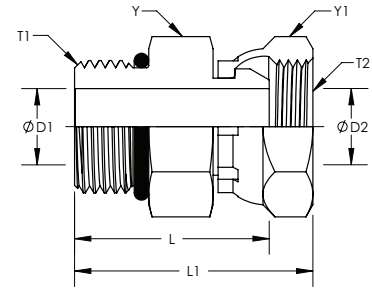
Part #	Y Hex	T1	M1	D1	T2	M2	D2
6806X04X02	0.438	7/16-20	1.030	0.172	1/8-27	0.780	0.188
6806X04X04	0.563	7/16-20	1.190	0.234	1/4-18	1.090	0.281
6806X05X02	0.563	1/2-20	1.130	0.234	1/8-27	0.780	0.188
6806X06X04	0.563	9/16-18	1.250	0.297	1/4-18	1.090	0.281
6806X06X06	0.750	9/16-18	1.320	0.297	1/4-18	1.090	0.281
6806X06X08	0.875	9/16-18	1.410	0.297	1/2-14	1.470	0.531
6806X08X06	0.750	3/4-16	1.450	0.391	3/8-18	1.220	0.406
6806X08X08	0.875	3/4-16	1.540	0.391	1/2-14	1.470	0.531
6806X10X08	0.875	7/8-14	1.700	0.484	1/2-14	1.470	0.531
6806X12X12	1.063	1-1/16-12	1.940	0.609	3/4-14	1.590	0.719
6806X14X12	1.313	1-3/16-12	2.000	0.719	3/4-14	1.690	0.719
6806X16X12	1.313	1-5/16-12	2.050	0.844	3/4-14	1.780	0.719
6806X16X16	1.313	1-5/16-12	2.050	0.844	1-11-1/2	1.970	0.938
6806X20X20	1.625	1-5/8-12	2.250	1.078	1-1/4-11-1/2	2.380	1.250
6806X24X24	1.875	1-7/8-12	2.390	1.313	1-1/2-11-1/2	2.640	1.500
6806X32X32	2.500	2-1/2-12	2.890	1.781	2-11-1/2	3.000	1.938

PIPE FITTINGS

A

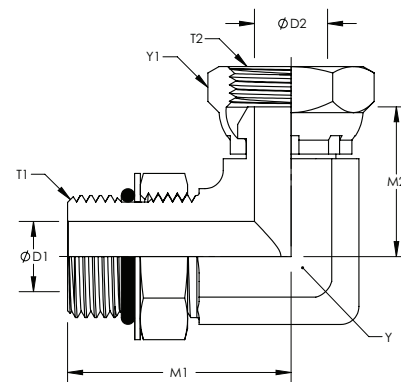
Description: **MALE SAE TO FEMALE PIPE SWIVEL STRAIGHT**
 Part No.: **6900**
 Stainless Part No.: **6900-SS**

Parker: 507
 Weatherhead: 9315
 Aeroquip: 2066-[R]
 Gates: MB-FPX



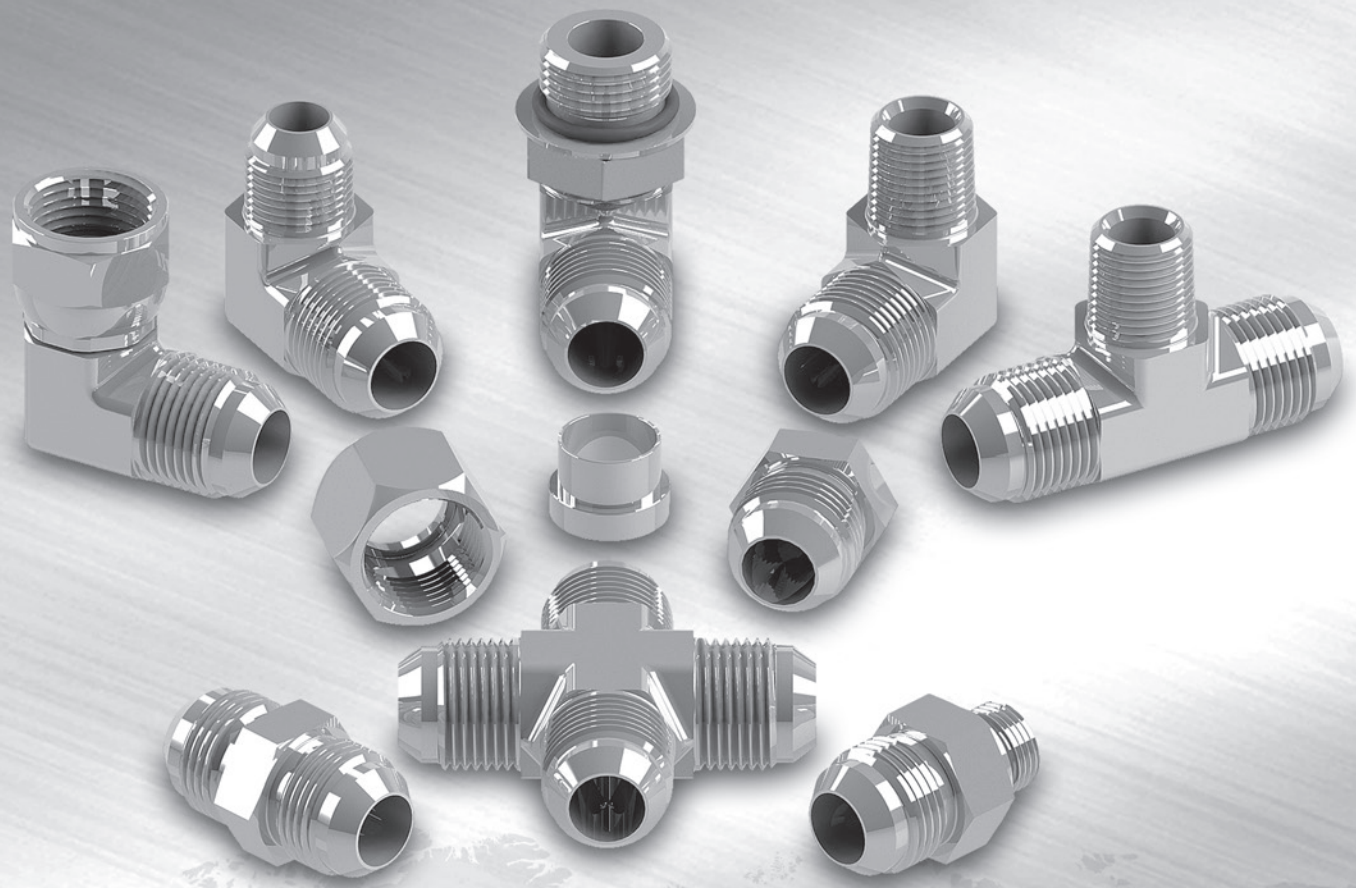
Part #	Y Hex	Y1 Hex	T1	D1	T2	D2	L	L1
6900X04X04	0.563	0.688	7/16-20	0.172	1/4-18	0.220	1.110	1.300
6900X04X06	0.688	0.875	7/16-20	0.172	3/8-18	0.340	1.150	1.360
6900X05X04	0.625	0.688	1/2-20	0.234	1/4-18	0.220	1.090	1.280
6900X06X04	0.688	0.688	9/16-18	0.297	1/4-18	0.220	1.070	1.260
6900X06X06	0.875	0.875	9/16-18	0.297	3/8-18	0.340	1.250	1.460
6900X06X08	0.813	1.000	9/16-18	0.297	1/2-14	0.460	1.290	1.570
6900X08X04	0.875	0.688	3/4-16	0.391	1/4-18	0.220	1.170	1.360
6900X08X06	0.875	0.875	3/4-16	0.391	3/8-18	0.340	1.190	1.400
6900X08X08	0.875	1.000	3/4-16	0.391	1/2-14	0.460	1.270	1.550
6900X08X12	1.000	1.250	3/4-16	0.391	3/4-14	0.635	1.410	1.760
6900X10X06	1.000	0.875	7/8-14	0.484	3/8-18	0.340	1.260	1.470
6900X10X08	1.000	1.000	7/8-14	0.484	1/2-14	0.460	1.330	1.610
6900X10X12	1.000	1.250	7/8-14	0.484	3/4-14	0.635	1.370	1.720
6900X12X06	1.250	0.875	1-1/16-12	0.609	3/8-18	0.340	1.410	1.620
6900X12X08	1.250	1.000	1-1/16-12	0.609	1/2-14	0.460	1.450	1.730
6900X12X12	1.250	1.250	1-1/16-12	0.609	3/4-14	0.635	1.600	1.950
6900X12X16	1.250	1.500	1-1/16-12	0.609	1-11-1/2	0.831	1.700	2.050
6900X14X12	1.375	1.250	1-3/16-12	0.719	3/4-14	0.635	1.610	1.960
6900X16X12	1.500	1.250	1-5/16-12	0.844	3/4-14	0.635	1.730	2.080
6900X16X16	1.500	1.500	1-5/16-12	0.844	1-11-1/2	0.831	1.710	2.060
6900X16X20	1.875	1.875	1-5/16-12	0.844	1-1/4-11-1/2	1.087	1.900	2.320
6900X20X16	1.875	1.500	1-5/8-12	1.078	1-11-1/2	0.831	1.790	2.140
6900X20X20	1.875	1.875	1-5/8-12	1.078	1-1/4-11-1/2	1.087	1.790	2.210
6900X24X20	2.125	1.875	1-7/8-12	1.313	1-1/4-11-1/2	1.087	1.750	2.170
6900X24X24	2.125	2.125	1-7/8-12	1.313	1-1/2-11-1/2	1.317	1.950	2.370
6900X32X32	2.750	2.625	2-1/2-12	1.781	2-11-1/2	1.802	2.000	2.420

Description: **ADJUSTABLE MALE SAE TO FEMALE PIPE SWIVEL 90°**
 Part No.: **6901**
 Stainless Part No.: **6901-SS**
 Parker: 2507
 Weatherhead: 9515
 Aeroquip: 2068-[R]
 Gates: MB-FPX90



Part #	Y Hex	Y1 Hex	T1	M1	D1	T2	M2	D2
6901X04X04	0.563	0.688	7/16-20	1.190	0.172	1/4-18	0.880	0.220
6901X04X06	0.750	0.875	7/16-20	1.260	0.172	3/8-18	0.990	0.340
6901X06X04	0.563	0.688	9/16-18	1.250	0.297	1/4-18	0.880	0.220
6901X06X06	0.563	0.875	9/16-18	1.250	0.297	3/8-18	0.900	0.340
6901X06X08	0.750	1.000	9/16-18	1.320	0.297	1/2-14	1.110	0.460
6901X08X04	0.750	0.688	3/4-16	1.450	0.391	1/4-18	0.970	0.220
6901X08X06	0.750	0.875	3/4-16	1.450	0.391	3/8-18	0.990	0.340
6901X08X08	0.750	1.000	3/4-16	1.450	0.391	1/2-14	1.110	0.460
6901X08X12	1.063	1.250	3/4-16	1.620	0.391	3/4-14	1.300	0.635
6901X10X06	0.875	0.875	7/8-14	1.700	0.484	3/8-18	1.040	0.340
6901X10X08	0.875	1.000	7/8-14	1.700	0.484	1/2-14	1.110	0.460
6901X10X12	1.063	1.250	7/8-14	1.780	0.484	3/4-14	1.300	0.635
6901X12X06	1.063	0.875	1-1/16-12	1.940	0.609	3/8-18	1.260	0.340
6901X12X08	1.063	1.000	1-1/16-12	1.940	0.609	1/2-14	1.300	0.460
6901X12X12	1.063	1.250	1-1/16-12	1.940	0.609	3/4-14	1.300	0.635
6901X12X16	1.313	1.500	1-1/16-12	2.050	0.609	1-11-1/2	1.540	0.831
6901X14X12	1.313	1.250	1-3/16-12	2.000	0.719	3/4-14	1.430	0.635
6901X16X12	1.313	1.250	1-5/16-12	2.050	0.844	3/4-14	1.430	0.635
6901X16X16	1.313	1.500	1-5/16-12	2.050	0.844	1-11-1/2	1.540	0.831
6901X16X20	1.625	1.875	1-5/16-12	2.250	0.844	1-1/4-11-1/2	1.730	1.087
6901X20X12	1.625	1.250	1-5/8-12	2.250	1.078	3/4-14	1.560	0.635
6901X20X16	1.625	1.500	1-5/8-12	2.250	1.078	1-11-1/2	1.700	0.831
6901X20X20	1.625	1.875	1-5/8-12	2.250	1.078	1-1/4-11-1/2	1.730	1.087
6901X24X20	1.875	1.875	1-7/8-12	2.390	1.313	1-1/4-11-1/2	1.770	1.087
6901X24X24	1.875	2.125	1-7/8-12	2.390	1.313	1-1/2-11-1/2	1.890	1.317
6901X32X32	2.500	2.625	2-1/2-12	2.890	1.781	2-11-1/2	2.270	1.802

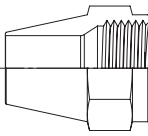
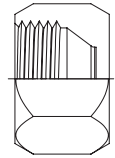


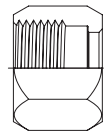
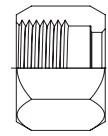

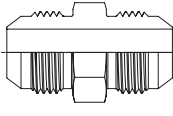
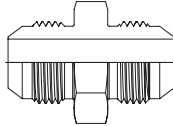
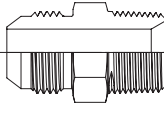
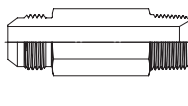
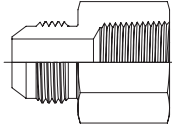
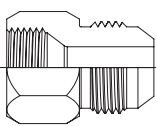
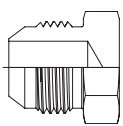
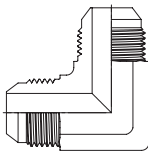
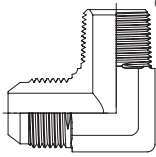
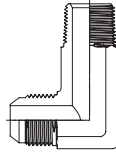
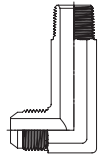

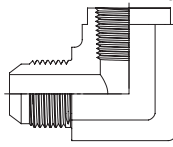
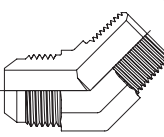
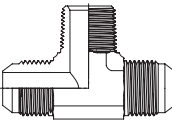
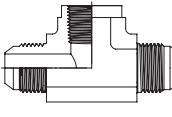
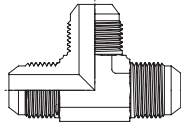
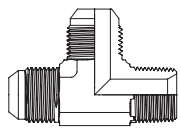
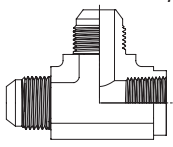
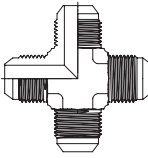
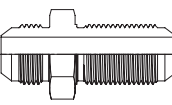
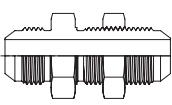
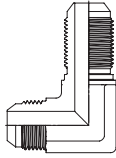
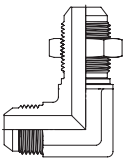
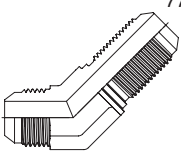
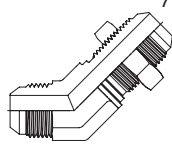
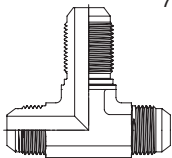
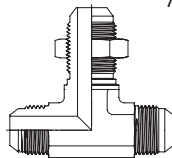
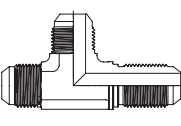
WORLD WIDE FITTINGS inc.

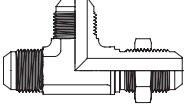
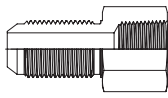
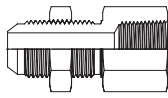
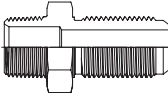
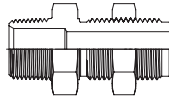
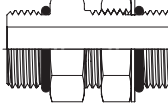
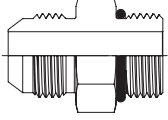
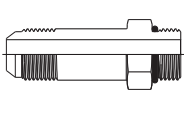
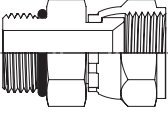
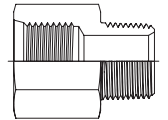
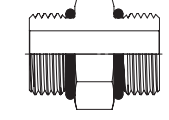
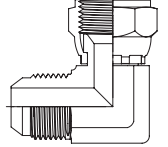
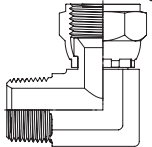
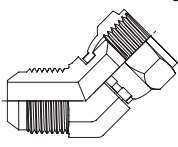
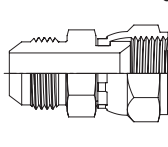
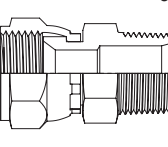
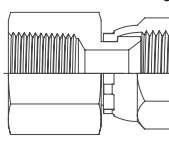
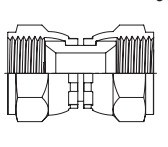
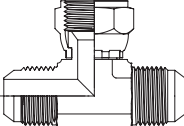
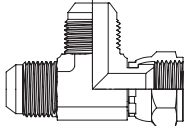
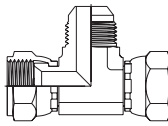
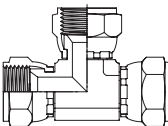
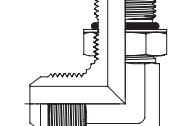
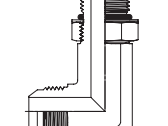
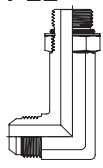

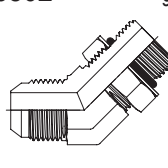
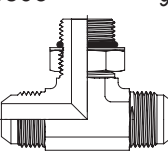
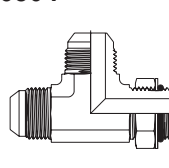
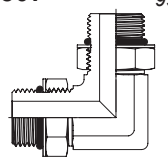
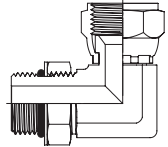
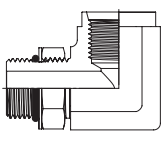
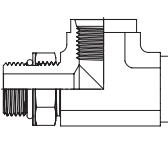
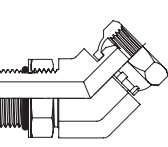


37° FLARE (JIC) FITTINGS

37° FLARE (JIC) FITTINGS

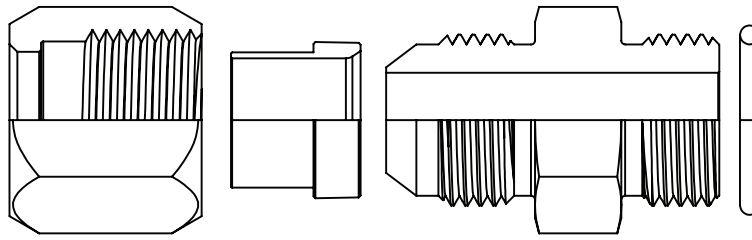
B

<p>0304 Pg. 52</p>  <p>5115 Long Nut</p>	<p>0304-C Pg. 52</p>  <p>5129 Cap</p>	<p>0306 Pg. 53</p>  <p>5924 Bulkhead Locknut</p>	<p>0306-N Pg. 53</p>  <p>8924 Straight Thread Locknut</p>	<p>0318 Pg. 54</p>  <p>5105 Standard Nut</p>	<p>M0318 Pg. 54</p>  <p>5105MH Metric Hex Nut</p>
<p>0319 Pg. 55</p>  <p>5165 Sleeve</p>	<p>2403 Pg. 55</p>  <p>5305 Union</p>	<p>2403-LH Pg. 57</p>  <p>5306 Large Hex Union</p>	<p>2404 Pg. 57</p>  <p>5205 Male Connector</p>	<p>2404-L Pg. 59</p>  <p>5205L Male Connector Long</p>	<p>2405 Pg. 59</p>  <p>5255 Female Connector</p>
<p>2406 Pg. 60</p>  <p>5015 Tube End Reducer (1 Piece)</p>	<p>2408 Pg. 62</p>  <p>5229 Plug</p>	<p>2500 Pg. 62</p>  <p>F5505 90° Union Elbow</p>	<p>2501 Pg. 63</p>  <p>F5405 45° Bulkhead Elbow With Locknut</p>	<p>2501-L Pg. 65</p>  <p>F5425 90° Male Elbow</p>	<p>2501-LL Pg. 66</p>  <p>F5435 90° Male Extra Long Elbow</p>
<p>2501-LLL Pg. 67</p>  <p>F5445 90° Male Extra Extra Long Elbow</p>	<p>2502 Pg. 68</p>  <p>F5455 90° Female Elbow</p>	<p>2503 Pg. 69</p>  <p>F5355 45° Elbow</p>	<p>2601 Pg. 70</p>  <p>F5605 Male Branch Tee</p>	<p>2602 Pg. 71</p>  <p>F5655 Female Branch Tee</p>	<p>2603 Pg. 72</p>  <p>F5705 Union Tee</p>
<p>2605 Pg. 73</p>  <p>F5755 Male Run Tee</p>	<p>2606 Pg. 74</p>  <p>F5805 Female Run Tee</p>	<p>2650 Pg. 74</p>  <p>F5955 Cross</p>	<p>2700 Pg. 75</p>  <p>5325 Bulkhead Union</p>	<p>2700-LN Pg. 75</p>  <p>3525LN Bulkhead Union With Locknut</p>	<p>2701 Pg. 76</p>  <p>F5525 90° Bulkhead Elbow</p>
<p>2701-LN Pg. 76</p>  <p>F5525LN 90° Bulkhead Elbow With Locknut</p>	<p>2702 Pg. 77</p>  <p>F5375 45° Bulkhead Elbow</p>	<p>2702-LN Pg. 77</p>  <p>F5375LN 45° Male Elbow Long</p>	<p>2703 Pg. 78</p>  <p>F5725 Bulkhead Branch Tee</p>	<p>2703-LN Pg. 78</p>  <p>F5725LN Bulkhead Branch Tee With Locknut</p>	<p>2704 Pg. 79</p>  <p>F5726 Bulkhead Run Tee</p>

<p>2704-LN Pg. 79</p>  <p>F5726LN Bulkhead Run Tee With Locknut</p>	<p>2705 Pg. 80</p>  <p>5275 Female Bulkhead Connector</p>	<p>2705-LN Pg. 80</p>  <p>5275LN Female Bulkhead Connector With Locknut</p>	<p>2706 Pg. 81</p>  <p>2706 Male JIC to Male Pipe Bulkhead</p>	<p>2706-LN Pg. 81</p>  <p>2706LN Male JIC to Male Pipe Bulkhead With Locknut</p>	<p>3474 Pg. 82</p>  <p>5314 Adjustable ORB Union</p>
<p>6400 Pg. 83</p>  <p>5315 Straight Thread Connector</p>	<p>6400-L Pg. 84</p>  <p>5316 Straight Thread Connector Long</p>	<p>6402 Pg. 85</p>  <p>9316 Straight Thread O Ring to Female 37° JIC Swivel</p>	<p>6404 Pg. 85</p>  <p>3239 Female Straight to Pipe Adapter</p>	<p>6464 Pg. 86</p>  <p>6464 Male Straight Thread to Male Straight Thread</p>	<p>6500 Pg. 86</p>  <p>F5506 90° Swivel Elbow</p>
<p>6501 Pg. 87</p>  <p>9406 90° Male Pipe to Female 37° JIC Swivel</p>	<p>6502 Pg. 88</p>  <p>F5356 45° Swivel Elbow</p>	<p>6504 Pg. 88</p>  <p>6504 Female Swivel to Male JIC</p>	<p>6505 Pg. 89</p>  <p>9100 Male Pipe to Female 37° JIC Swivel</p>	<p>6506 Pg. 89</p>  <p>9256 Female Pipe to Female 37° JIC Swivel</p>	<p>6565 Pg. 90</p>  <p>6565 JIC Swivel Union - Straight</p>
<p>6600 Pg. 90</p>  <p>F5707 Swivel Branch Tee</p>	<p>6602 Pg. 91</p>  <p>F5706 Swivel Run Tee</p>	<p>6603 Pg. 92</p>  <p>6603 Female JIC, Female JIC Male JIC Tee</p>	<p>6606 Pg. 92</p>  <p>6606 Female JIC, Female JIC Female JIC Tee</p>	<p>6801 Pg. 93</p>  <p>F5515 90° Straight Thread Elbow</p>	<p>6801-L Pg. 94</p>  <p>F5515L 90° Straight Thread Elbow Long</p>
<p>6801-LL Pg. 95</p>  <p>F5515LL 90° Straight Thread Elbow Extra Long</p>	<p>6801-LLL Pg. 95</p>  <p>F5515LLL 90° Straight Thread Elbow Extra Extra Long</p>	<p>6802 Pg. 96</p>  <p>F5365 45° Straight Thread Elbow</p>	<p>6803 Pg. 97</p>  <p>F5705 Straight Thread Branch Tee</p>	<p>6804 Pg. 98</p>  <p>F5716 Straight Thread Run Tee</p>	<p>6807 Pg. 99</p>  <p>6807 Adjustable ORB Union Elbow</p>
<p>6809 Pg. 99</p>  <p>6809 90° Female Swivel to Male ORB</p>	<p>6815 Pg. 100</p>  <p>6815 90° Male ORB to Female ORB</p>	<p>6835 Pg. 100</p>  <p>6835 MAORB-FORB-FORB Tee</p>	<p>6902 Pg. 101</p>  <p>9365 Adjustable Male SAE to Female Pipe Swivel 45°</p>		

37° FLARE (JIC) FITTINGS

B



CONSTRUCTION

37° Flare (JIC) Fittings consist of three main components: Bodies, Nuts, and Sleeves.

Bodies – Straight bodies are machined from bar stock. Shape fittings (elbows, tees, & crosses) are made from forgings.

Tube Nuts – Tube Nuts in sizes 1/4", 3/8", 1/2", 5/8", 3/4", 1", are Cold Formed in 1010 steel. Tube Nuts in sizes 1/8", 3/16", 5/16", 7/8", 1-1/4", 1-1/2", & 2" are hot forged from 1045.

Tube Sleeves – Tube Sleeves for JIC fittings are machined from 12L14 bar stock.

APPLICATIONS

For use with machine tools, agricultural and earth moving machinery, instrumentation, chemical processing systems, and most other high pressure hydraulic applications.

PRESSURE RATINGS

Working pressures up to 5000 PSI. Working pressures will vary depending on tube and fitting size. (For applications using extreme pressures at 5000 PSI or above, contact World Wide Fittings.)

MATERIAL

Steel – Bar Stock 12L14, 1215, 1045
Cold Formed 1010
Stainless Steel – Type 316

PLATING

Clear Zinc Trivalent
Passivated

HOW TO ORDER

Tubing sizes are measured in sixteenths of an inch. Available sizes are 1/8" through 2". When ordering, the tube end of the fitting must be specified first followed by the pipe thread or straight thread end. All fittings in this section are ordered as bodies only unless specified by customers when ordering.

(Contact World Wide for details on ordering fittings preassembled with nuts and sleeves.)

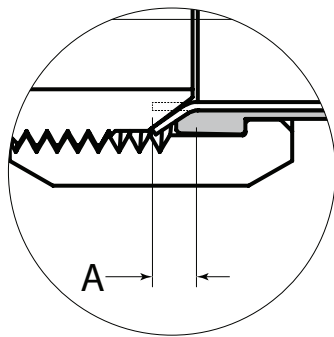
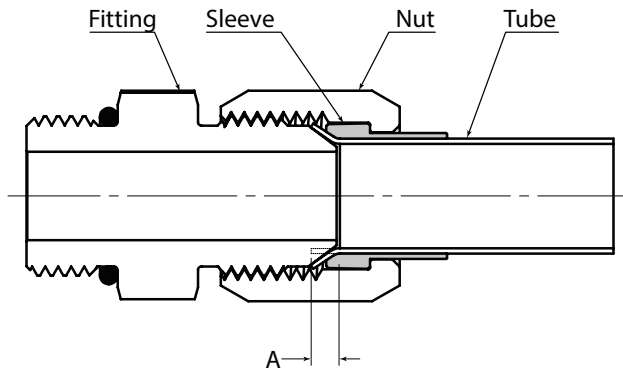
CONFORMANCE

37° Flare (JIC) Fittings meet SAE J514 and MS (Military Specifications).

ASSEMBLY INSTRUCTIONS

1. Cut the tubing to the desired length making sure the ends are square. Remove all burrs from the tubing ends and clean thoroughly.
2. Slide the tube nut on the tubing making sure that the open end of the nut is facing the tube end. Then slide the tube sleeve on the tubing making sure the seat of the sleeve is facing the tube end.
3. Using a 37° flaring tool, flare the tubing end. Inspect the flared end for dimensions that are out of tolerance and may cause underflare, overflare, and excessive wall thinning which can interfere with the operation and quality of the assembled fitting. (For examples of underflaring and overflaring refer to the tube flaring drawings.)
4. Pull the sleeve up to the flared end and then pull the tube nut up and over the sleeve and flared end.
5. Lubricate the threads on both the nut and the fitting body, align the flared end against the nose of the fitting and assemble to the finger-tight position.
6. Using a wrench tighten the assembly until the nut is snug, then tighten the nut an additional one to two flats further. (Refer to the assembly torque charts during installation of 37° Flare (JIC) Fittings fittings from the port and thread assemblies section.)

Correct assembly



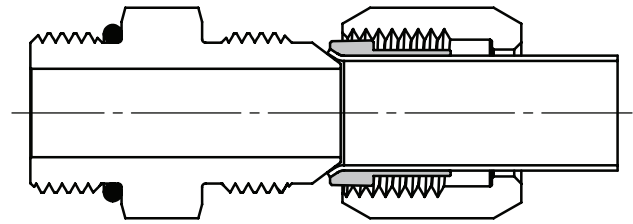
Tube length allowance

(See table below)

Nominal Tube O.D.		A
Inch	Metric	
1/8	-	0.07
3/16	-	0.08
1/4	6	0.09
5/16	8	0.08
3/8	10	0.08
1/2	12	0.12
5/8	14, 15, 16	0.13
3/4	18, 20	0.15
7/8	22	0.15
1	25	0.15
1-1/4	30, 32	0.20
1-1/2	38	0.18
2	42	0.28

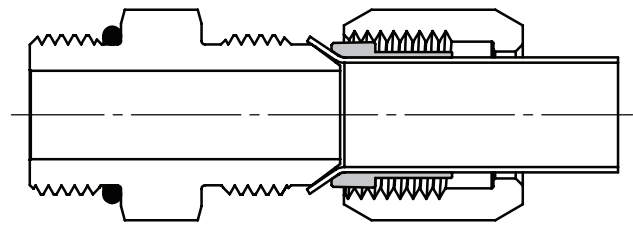
Tube length allowance table

Incorrect assembly



Under flared assembly

Underflaring reduces contact area causing excessive nose collapse and leakage; or in extreme cases, tube pull out under pressure.

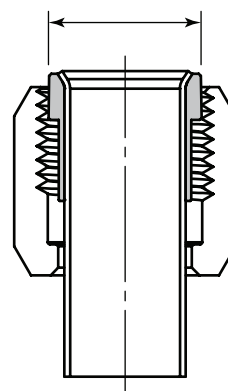


Over flared assembly

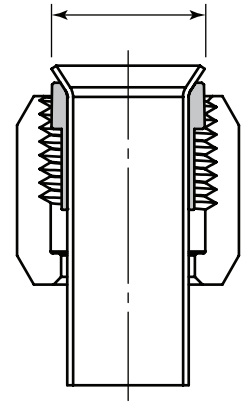
Overflaring causes tube nut thread interference, either preventing assembly altogether, or giving a false sense of joint tightness resulting in leakage.

Min. Flare O.D. should at least equal sleeve seat O.D.

Max. Flare O.D. should not exceed sleeve seat O.D.



Minimum Flare



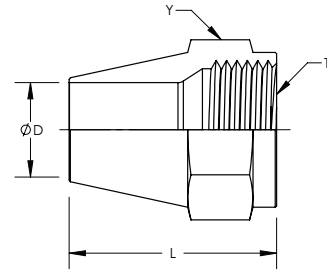
Maximum Flare

Comparing flare O.D. with sleeve seat and O.D.

B

37° FLARE (JIC) FITTINGS

Description: **LONG NUT**
 Part No.: **0304**
 Stainless Part No.: **0304-SS**

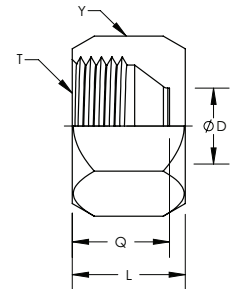


B

Parker: /
 Weatherhead: 5115
 Aeroquip: /
 Gates: /

Part #	Y Hex	T	D	L
0304X02	0.375	5/16-24	0.130	0.840
0304X03	0.438	3/8-24	0.193	0.940
0304X04	0.563	7/16-20	0.255	1.000
0304X05	0.625	1/2-20	0.318	1.060
0304X06	0.688	9/16-18	0.380	1.090
0304X08	0.875	3/4-16	0.505	1.280
0304X10	1.000	7/8-14	0.631	1.480
0304X12	1.250	1-1/16-12	0.756	1.660
0304X14	1.375	1-3/16-12	0.881	1.810
0304X16	1.500	1-5/16-12	1.006	1.940
0304X20	2.000	1-5/8-12	1.260	2.190
0304X24	2.250	1-7/8-12	1.510	2.310
0304X32	2.875	2-1/2-12	2.014	2.750

Description: **CAP**
 Part No.: **0304-C**
 Stainless Part No.: **0304-C-SS**

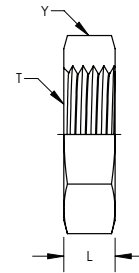


Parker: FNTX
 Weatherhead: 5129
 Aeroquip: 210292
 Gates: FJ-CAP

Part #	Y Hex	T	D	Q	L
0304-CX02	0.375	5/16-24	0.063	0.438	0.500
0304-CX03	0.438	3/8-24	0.125	0.500	0.563
0304-CX04CF	0.563	7/16-20	0.172	0.531	0.594
0304-CX05	0.625	1/2-20	0.234	0.547	0.609
0304-CX06CF	0.688	9/16-18	0.297	0.563	0.625
0304-CX08CF	0.875	3/4-16	0.391	0.625	0.750
0304-CX10CF	1.000	7/8-14	0.484	0.719	0.844
0304-CX12CF	1.250	1-1/16-12	0.609	0.781	0.906
0304-CX14	1.375	1-3/16-12	0.719	0.844	0.969
0304-CX16CF	1.500	1-5/16-12	0.844	0.859	1.016
0304-CX20CF	2.000	1-5/8-12	1.078	0.906	1.063
0304-CX24CF	2.250	1-7/8-12	1.313	1.031	1.188
0304-CX32CF	2.875	2-1/2-12	1.781	1.281	1.438

Description: **BULKHEAD LOCKNUT**
 Part No.: **0306**
 Stainless Part No.: **0306-SS**

Parker: WLN
 Weatherhead: 5924
 Aeroquip: 210212
 Gates: LN

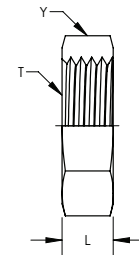


B

Part #	Y Hex	T	L
0306X02	0.563	5/16-24	0.220
0306X03	0.625	3/8-24	0.220
0306X04CF	0.688	7/16-20	0.280
0306X05CF	0.750	1/2-20	0.280
0306X06CF	0.813	9/16-18	0.270
0306X08CF	1.000	3/4-16	0.310
0306X10CF	1.125	7/8-14	0.360
0306X12CF	1.375	1-1/16-12	0.410
03064X14	1.500	1-3/16-12	0.410
0306X16CF	1.625	1-5/16-12	0.410
0306X20	1.875	1-5/8-12	0.410
0306X24	2.125	1-7/8-12	0.410
0306X32	2.750	2-1/2-12	0.410

Description: **STRAIGHT THREAD LOCKNUT**
 Part No.: **0306-N**
 Stainless Part No.: **0306-N-SS**

Parker: /
 Weatherhead: 8924
 Aeroquip: 210295
 Gates: /

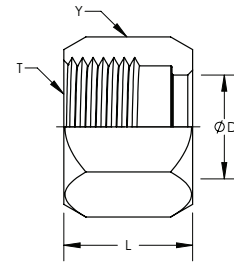


Part #	Y Hex	T	L
0306-NX02	0.438	5/16-24	0.220
0306-NX03	0.500	3/8-24	0.220
0306-NX04	0.563	7/16-20	0.280
0306-NX05	0.625	1/2-20	0.280
0306-NX06	0.688	9/16-18	0.270
0306-NX08	0.875	3/4-16	0.310
0306-NX10	1.000	7/8-14	0.360
0306-NX12	1.250	1-1/16-12	0.410
0306-NX14	1.375	1-3/16-12	0.410
0306-NX16	1.500	1-5/16-12	0.410
0306-NX20	1.875	1-5/8-12	0.410
0306-NX24	2.125	1-7/8-12	0.410
0306-NX32	2.750	2-1/2-12	0.410

37° FLARE (JIC) FITTINGS

Description: **NUT STANDARD -TRIVALENT PLATED**
 Part No.: **0318**
 Stainless Part No.: **0318-SS**

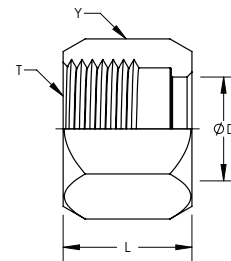
Parker: **BTX**
 Weatherhead: **5105**
 Aeroquip: **1290**
 Gates: **TSN**



Part #	Y Hex	T	D	L
0318X02T	0.375	5/16-24	0.179	0.550
0318X03T	0.438	3/8-24	0.241	0.610
0318X04CFT	0.563	7/16-20	0.304	0.620
0318X05CFT	0.625	1/2-20	0.373	0.680
0318X06CFT	0.688	9/16-18	0.439	0.730
0318X08CFT	0.875	3/4-16	0.568	0.850
0318X10CFT	1.000	7/8-14	0.696	0.980
0318X12CFT	1.250	1-1/16-12	0.832	1.030
0318X14CFT	1.375	1-3/16-12	0.959	1.090
0318X16CFT	1.500	1-5/16-12	1.087	1.130
0318X20CFT	2.000	1-5/8-12	1.344	1.230
0318X24CFT	2.250	1-7/8-12	1.614	1.420
0318X32CFT	2.875	2-1/2-12	2.164	1.750

Description: **METRIC HEX NUT**
 Part No.: **M0318**
 Stainless Part No.: **M0318-SS**

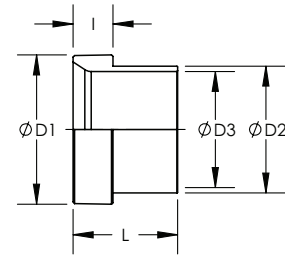
Parker: /
 Weatherhead: **5105MH**
 Aeroquip: /
 Gates: /



Part #	Y Hex	T	D	L
M0318X04	0.551	7/16-20	0.304	0.620
M0318X05	0.669	1/2-20	0.373	0.680
M0318X06	0.748	9/16-18	0.439	0.730
M0318X08	0.945	3/4-16	0.568	0.850
M0318X10	1.063	7/8-14	0.696	0.980
M0318X12	1.260	1-1/16-12	0.832	1.030
M0318X14	1.417	1-3/16-12	0.959	1.090
M0318X16	1.614	1-5/16-12	1.087	1.130
M0318X20	1.969	1-5/8-12	1.344	1.230
M0318X24	2.362	1-7/8-12	1.614	1.420
M0318X32	2.952	2-1/2-12	2.164	1.750

Description: **SLEEVE-TRIVALENT PLATED**
 Part No.: **0319**
 Stainless Part No.: **0319-SS**

Parker: /
 Weatherhead: 5165
 Aeroquip: /
 Gates: /

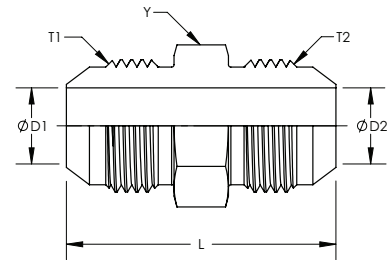


B

Part #	D1	D2	D3	I	L
0319X32CFT	2.409	2.159	2.014	0.410	1.190
0319X24CFT	1.784	1.609	1.510	0.340	1.120
0319X20CFT	1.534	1.339	1.260	0.310	0.910
0319X16CFT	1.222	1.081	1.006	0.280	0.780
0319X14CFT	1.097	0.953	0.881	0.260	0.760
0319X12CFT	0.972	0.826	0.756	0.260	0.680
0319X10CFT	0.797	0.690	0.631	0.240	0.660
0319X08CFT	0.682	0.563	0.505	0.220	0.560
0319X06CFT	0.502	0.432	0.380	0.170	0.500
0319X05CFT	0.445	0.366	0.318	0.160	0.440
0319X04CFT	0.383	0.297	0.255	0.140	0.410
0319X03T	0.329	0.234	0.193	0.140	0.340
0319X02T	0.267	0.172	0.130	0.120	0.340

Description: **UNION**
 Part No.: **2403**
 Stainless Part No.: **2403-SS**

Parker: HTX
 Weatherhead: 5305
 Aeroquip: 2027
 Gates: MJ-MJ



Part #	Y Hex	T1	D1	T2	D2	L
2403X02X02	0.438	5/16-24	0.063	5/16-24	0.063	1.170
2403X03X03	0.438	3/8-24	0.125	3/8-24	0.125	1.230
2403X04X02	0.500	7/16-20	0.172	5/16-24	0.063	1.270
2403X04X04	0.500	7/16-20	0.172	7/16-20	0.172	1.370
2403X05X05	0.563	1/2-20	0.234	1/2-20	0.234	1.370
2403X06X04	0.625	9/16-18	0.297	7/16-20	0.172	1.400
2403X06X06	0.625	9/16-18	0.297	9/16-18	0.297	1.410
2403X08X04	0.813	3/4-16	0.391	7/16-20	0.172	1.510
2403X08X06	0.813	3/4-16	0.391	9/16-18	0.297	1.520
2403X08X08	0.813	3/4-16	0.391	3/4-16	0.391	1.620
2403X10X04	0.938	7/8-14	0.484	7/16-20	0.172	1.670

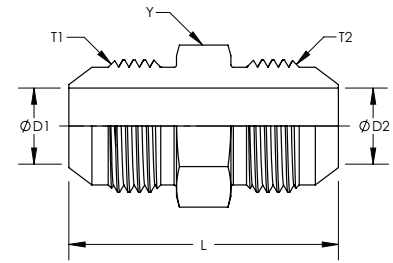
Continued on page 56

37° FLARE (JIC) FITTINGS

Continued from page 55

Description: **UNION**
 Part No.: **2403**
 Stainless Part No.: **2403-SS**

Parker: **HTX**
 Weatherhead: **5305**
 Aeroquip: **2027**
 Gates: **MJ-MJ**

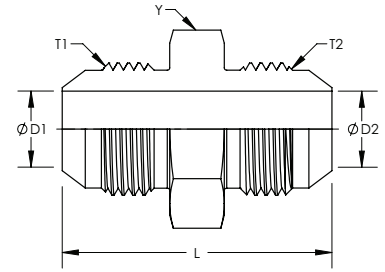


B

2403X10X06	0.938	7/8-14	0.484	9/16-18	0.297	1.680
Part #	Y Hex	T1	D1	T2	D2	L
2403X10X08	0.938	7/8-14	0.484	3/4-16	0.391	1.780
2403X10X10	0.938	7/8-14	0.484	7/8-14	0.484	1.880
2403X12X08	1.125	1-1/16-12	0.609	3/4-16	0.391	1.950
2403X12X10	1.125	1-1/16-12	0.609	7/8-14	0.484	2.050
2403X12X12	1.125	1-1/16-12	0.609	1-1/16-12	0.609	2.160
2403X14X14	1.250	1-3/16-12	0.719	1-3/16-12	0.719	2.210
2403X16X08	1.375	1-5/16-12	0.844	3/4-16	0.391	2.000
2403X16X10	1.375	1-5/16-12	0.844	7/8-14	0.484	2.100
2403X16X12	1.375	1-5/16-12	0.844	1-1/16-12	0.609	2.200
2403X16X16	1.375	1-5/16-12	0.844	1-5/16-12	0.844	2.250
2403X20X12	1.688	1-5/8-12	1.078	1-1/16-12	0.609	2.340
2403X20X16	1.688	1-5/8-12	1.078	1-5/16-12	0.844	2.380
2403X20X20	1.688	1-5/8-12	1.078	1-5/8-12	1.078	2.430
2403X24X12	2.000	1-7/8-12	1.313	1-1/16-12	0.609	2.530
2403X24X16	2.000	1-7/8-12	1.313	1-5/16-12	0.844	2.580
2403X24X20	2.000	1-7/8-12	1.313	1-5/8-12	1.078	2.620
2403X24X24	2.000	1-7/8-12	1.313	1-7/8-12	1.313	2.750
2403X32X32	2.625	2-1/2-12	1.781	2-1/2-12	1.781	3.400

Description: **LARGE HEX UNION**
 Part No.: **2403-LH**
 Stainless Part No.: **2403-LH-SS**

Parker: LHTX
 Weatherhead: 5306
 Aeroquip: 202712
 Gates: /

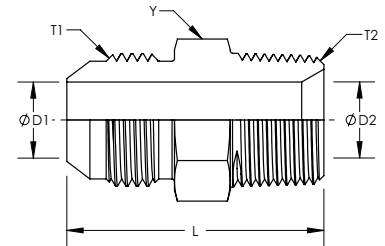


B

Part #	Y Hex	T1	D1	T2	D2	L
2403-LHX04X04	0.688	7/16-20	0.172	7/16-20	0.172	1.370
2403-LHX05X05	0.750	1/2-20	0.234	1/2-20	0.234	1.370
2403-LHX06X06	0.813	9/16-18	0.297	9/16-18	0.297	1.410
2403-LHX08X04	1.000	3/4-16	0.391	7/16-20	0.172	1.510
2403-LHX08X08	1.000	3/4-16	0.391	3/4-16	0.391	1.620
2403-LHX10X10	1.125	7/8-14	0.484	7/8-14	0.484	1.880
2403-LHX12X12	1.375	1-1/16-12	0.609	1-1/16-12	0.609	2.160
2403-LHX14X14	1.500	1-3/16-12	0.719	1-3/16-12	0.719	2.210
2403-LHX16X16	1.625	1-5/16-12	0.844	1-5/16-12	0.844	2.250
2403-LHX20X20	1.875	1-5/8-12	1.078	1-5/8-12	1.078	2.430
2403-LHX24X24	2.125	1-7/8-12	1.313	1-7/8-12	1.313	2.750

Description: **MALE CONNECTOR**
 Part No.: **2404**
 Stainless Part No.: **2404-SS**

Parker: FTX
 Weatherhead: 5205
 Aeroquip: 2021-[R]
 Gates: MJ-MP



Part #	Y Hex	T1	D1	T2	D2	L
2404X02X02	0.438	5/16-24	0.063	1/8-27	0.188	1.110
2404X02X04	0.625	5/16-24	0.063	1/4-18	0.281	1.320
2404X03X02	0.438	3/8-24	0.125	1/8-27	0.188	1.140
2404X03X04	0.625	3/8-24	0.125	1/4-18	0.281	1.350
2404X04X02	0.500	7/16-20	0.172	1/8-27	0.188	1.220
2404X04X04	0.563	7/16-20	0.172	1/4-18	0.281	1.420
2404X04X06	0.750	7/16-20	0.172	3/8-18	0.406	1.420
2404X04X08	0.875	7/16-20	0.172	1/2-14	0.531	1.680
2404X05X02	0.563	1/2-20	0.234	1/8-27	0.188	1.220
2404X05X04	0.563	1/2-20	0.234	1/4-18	0.281	1.420
2404X05X06	0.813	1/2-20	0.234	3/8-18	0.406	1.420
2404X06X02	0.625	9/16-18	0.297	1/8-27	0.188	1.240
2404X06X04	0.625	9/16-18	0.297	1/4-18	0.281	1.430
2404X06X06	0.750	9/16-18	0.297	3/8-18	0.406	1.430
2404X06X08	0.875	9/16-18	0.297	1/2-14	0.531	1.690
2404X06X12	1.125	9/16-18	0.297	3/4-14	0.719	1.750

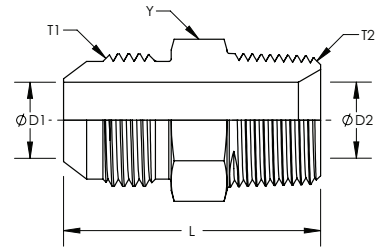
Continued on page 58

37° FLARE (JIC) FITTINGS

Continued from page 57

Description: **MALE CONNECTOR**
 Part No.: **2404**
 Stainless Part No.: **2404-SS**

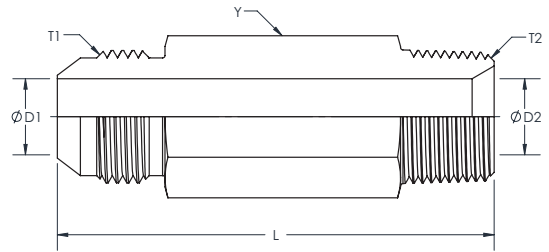
Parker: FTX
 Weatherhead: 5205
 Aeroquip: 2021-[R]
 Gates: MJ-MP



2404X08X02	0.813	3/4-16	0.391	1/8-27	0.188	1.340
Part #	Y Hex	T1	D1	T2	D2	L
2404X08X04	0.813	3/4-16	0.391	1/4-18	0.281	1.530
2404X08X06	0.813	3/4-16	0.391	3/8-18	0.406	1.530
2404X08X08	0.875	3/4-16	0.391	1/2-14	0.531	1.790
2404X08X12	1.125	3/4-16	0.391	3/4-14	0.719	1.850
2404X08X16	1.375	3/4-16	0.391	1-11-1/2	0.938	2.050
2404X10X04	0.938	7/8-14	0.484	1/4-18	0.281	1.700
2404X10X06	0.938	7/8-14	0.484	3/8-18	0.406	1.700
2404X10X08	0.938	7/8-14	0.484	1/2-14	0.531	1.890
2404X10X12	1.125	7/8-14	0.484	3/4-14	0.719	1.950
2404X10X16	1.375	7/8-14	0.484	1-11-1/2	0.938	2.150
2404X12X06	1.125	1-1/16-12	0.609	3/8-18	0.406	1.870
2404X12X08	1.125	1-1/16-12	0.609	1/2-14	0.531	2.060
2404X12X12	1.125	1-1/16-12	0.609	3/4-14	0.719	2.060
2404X12X16	1.375	1-1/16-12	0.609	1-11-1/2	0.938	2.250
2404X12X20	1.688	1-1/16-12	0.609	1-1/4-11-1/2	1.250	2.360
2404X12X24	2.000	1-1/16-12	0.609	1-1/2-11-1/2	1.500	2.460
2404X14X08	1.250	1-3/16-12	0.719	1/2-14	0.531	2.090
2404X14X12	1.250	1-3/16-12	0.719	3/4-14	0.719	2.090
2404X16X08	1.375	1-5/16-12	0.844	1/2-14	0.531	2.110
2404X16X12	1.375	1-5/16-12	0.844	3/4-14	0.719	2.110
2404X16X16	1.375	1-5/16-12	0.844	1-11-1/2	0.938	2.300
2404X16X20	1.688	1-5/16-12	0.844	1-1/4-11-1/2	1.250	2.400
2404X16X24	2.000	1-5/16-12	0.844	1-1/2-11-1/2	1.500	2.510
2404X20X16	1.688	1-5/8-12	1.078	1-11-1/2	0.938	2.420
5205X20X20	1.688	1-5/8-12	1.078	1-1/4-11-1/2	1.250	2.450
2404X20X24	2.000	1-5/8-12	1.078	1-1/2-11-1/2	1.500	2.550
2404X20X32	2.625	1-5/8-12	1.078	2-11-1/2	1.938	2.730
2404X24X16	2.000	1-7/8-12	1.313	1-11-1/2	0.938	2.620
2404X24X20	2.000	1-7/8-12	1.313	1-1/4-11-1/2	1.250	2.650
2404X24X24	2.000	1-7/8-12	1.313	1-1/2-11-1/2	1.500	2.680
2404X24X32	2.500	1-7/8-12	1.313	2-11-1/2	1.938	2.860
2404X32X20	2.625	2-1/2-12	1.781	1-1/4-11-1/2	1.250	3.050
2404X32X24	2.625	2-1/2-12	1.781	1-1/2-11-1/2	1.500	3.080
2404X32X32	2.625	2-1/2-12	1.781	2-11-1/2	1.938	3.110
2404X40X40	3.250	3-12	2.323	2-1/8-12	2.323	3.370

Description: **MALE CONNECTOR LONG**
 Part No.: **2404-L**
 Stainless Part No.: **2404-L-SS**

Parker: FFTX
 Weatherhead: 5205L
 Aeroquip: FFTX
 Gates: /

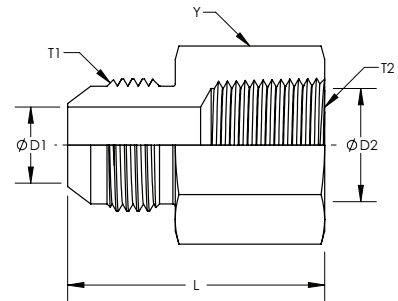


B

Part #	Y Hex	T1	D1	T2	D2	L
2404-LX04X02	0.500	7/16-20	0.172	1/8-27	0.188	1.810
2404-LX06X04	0.625	9/16-18	0.297	1/4-18	0.281	2.250

Description: **FEMALE CONNECTOR**
 Part No.: **2405**
 Stainless Part No.: **2405-SS**

Parker: GTX-S
 Weatherhead: 5255
 Aeroquip: 2022-[R]
 Gates: MJ-FP



Part #	Y Hex	T1	D1	T2	D2	L
2405X02X02	0.563	5/16-24	0.063	1/8-27	0.332	1.120
2405X03X02	0.563	3/8-24	0.125	1/8-27	0.332	1.130
2405X04X02	0.563	7/16-20	0.172	1/8-27	0.332	1.190
2405X04X04	0.750	7/16-20	0.172	1/4-18	0.438	1.390
2405X04X06	0.875	7/16-20	0.172	3/8-18	0.563	1.450
2405X04X08	1.125	7/16-20	0.172	1/2-14	0.703	1.680
2405X05X02	0.563	1/2-20	0.234	1/8-27	0.332	1.170
2405X05X04	0.750	1/2-20	0.234	1/4-18	0.438	1.390
240506X02	0.750	9/16-18	0.297	1/8-27	0.332	1.190
2405X06X04	0.750	9/16-18	0.297	1/4-18	0.438	1.400
2405X06X06	0.875	9/16-18	0.297	3/8-18	0.563	1.460
2405X06X08	1.125	9/16-18	0.297	1/2-14	0.703	1.690
2405X08X04	0.875	3/4-16	0.391	1/4-18	0.438	1.550
2405X08X06	0.875	3/4-16	0.391	3/8-18	0.563	1.560
2405X08X08	1.125	3/4-16	0.391	1/2-14	0.703	1.790
2405X08X12	1.375	3/4-16	0.391	3/4-14	0.906	1.850
2405X10X06	1.125	7/8-14	0.484	3/8-18	0.563	1.670
2405X10X08	1.125	7/8-14	0.484	1/2-14	0.703	1.890

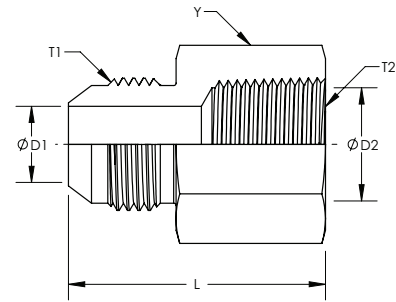
Continued on page 60

37° FLARE (JIC) FITTINGS

Continued from page 59

Description: **MALE CONNECTOR**
 Part No.: **2405**
 Stainless Part No.: **2405-SS**

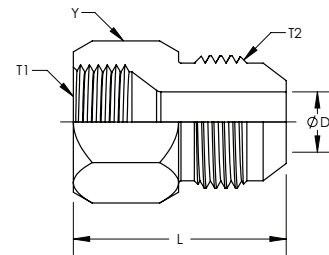
Parker: FTX
 Weatherhead: 5255
 Aeroquip: 2021-[R]
 Gates: MJ-MP



Part #	Y Hex	T1	D1	T2	D2	L
2405X10X12	1.375	7/8-14	0.484	3/4-14	0.906	1.950
2405X10X16	1.625	7/8-14	0.484	1-11-1/2	1.141	2.200
2405X12X08	1.375	1-1/16-12	0.609	1/2-14	0.703	2.050
2405X12X12	1.375	1-1/16-12	0.609	3/4-14	0.906	2.060
2405X12X16	1.625	1-1/16-12	0.609	1-11-1/2	1.141	2.300
2405X14X12	1.375	1-3/16-12	0.719	3/4-14	0.906	2.060
2405X16X12	1.625	1-5/16-12	0.844	3/4-14	0.906	2.120
2405X16X16	1.625	1-5/16-12	0.844	1-11-1/2	1.141	2.350
2405X16X20	2.000	1-5/16-12	0.844	1-1/4-11-1/2	1.484	2.440
2405X20X16	2.000	1-5/8-12	1.078	1-11-1/2	1.141	2.470
2405X20X20	2.000	1-5/8-12	1.078	1-1/4-11-1/2	1.484	2.490
2405X20X24	2.375	1-5/8-12	1.078	1-1/2-11-1/2	1.744	2.490
2405X24X20	2.375	1-7/8-12	1.313	1-1/4-11-1/2	1.484	2.620
2405X24X24	2.375	1-7/8-12	1.313	1-1/2-11-1/2	1.744	2.620
2405X32X32	2.875	2-1/2-12	1.781	2-11-1/2	2.213	2.970

Description: **TUBE END REDUCER (1 PIECE)**
 Part No.: **2406**
 Stainless Part No.: **2406-SS**

Weatherhead: 4315
 Parker: 5015
 Aeroquip: 2215
 Gates: MJ-FJ



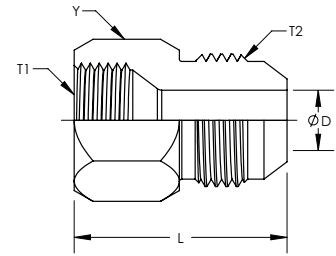
Part #	Y Hex	T1	D	T2	L
2406X04X02	0.563	7/16-20	0.063	5/16-24	1.042
2406X04X06	0.688	7/16-20	0.172	9/16-18	1.150
2406X04X08	0.813	7/16-20	0.391	3/4-16	1.251
2406X05X04	0.625	1/2-20	0.172	7/16-20	1.159
2406X06X04	0.688	9/16-18	0.172	7/16-20	1.175
2406X06X06	0.688	9/16-18	0.297	9/16-18	1.181
2406X06X08	0.813	9/16-18	0.297	3/4-16	1.282
2406X08X04	0.875	3/4-16	0.172	7/16-20	1.300
2406X08X06	0.875	3/4-16	0.297	9/16-18	1.306
2406X08X10	0.938	3/4-16	0.391	7/8-14	1.508
2406X08X12	1.125	3/4-16	0.609	1-1/16-12	1.614

Continued on page 61

Continued from page 60

Description: **TUBE END REDUCER (1 PIECE)**
 Part No.: **2406**
 Stainless Part No.: **2406-SS**

Parker: **TRTX**
 Weatherhead: **5015**
 Aeroquip: **2215**
 Gates: **MJ-FJ**



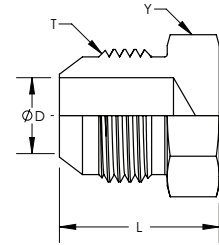
B

Part #	Y Hex	T1	D	T2	L
2406X08X16	1.375	3/4-16	0.844	1-5/16-12	1.661
2406X10X04	1.000	7/8-14	0.172	7/16-20	1.394
2406X10X06	1.000	7/8-14	0.297	9/16-18	1.400
2406X10X08	1.000	7/8-14	0.391	3/4-16	1.501
2406X10X12	1.125	7/8-14	0.484	1-1/16-12	1.708
2406X12X04	1.250	1-1/16-12	0.172	7/16-20	1.456
2406X12X06	1.250	1-1/16-12	0.297	9/16-18	1.462
2406X12X08	1.250	1-1/16-12	0.391	3/4-16	1.563
2406X12X10	1.250	1-1/16-12	0.484	7/8-14	1.664
2406X12X16	1.500	1-1/16-12	0.844	1-5/16-12	1.817
2406X12X20	1.688	1-1/16-12	1.078	1-5/8-12	1.864
2406X14X06	1.375	1-3/16-12	0.297	9/16-18	1.525
2406X14X08	1.375	1-3/16-12	0.391	3/4-16	1.626
2406X14X10	1.375	1-3/16-12	0.484	7/8-14	1.727
2406X14X12	1.375	1-3/16-12	0.609	1-1/16-12	1.833
2406X16X04	1.500	1-5/16-12	0.172	7/16-20	1.566
2406X16X06	1.500	1-5/16-12	0.297	9/16-18	1.572
2406X16X08	1.500	1-5/16-12	0.391	3/4-16	1.673
2406X16X10	1.500	1-5/16-12	0.484	7/8-14	1.774
2406X16X12	1.500	1-5/16-12	0.609	1-1/16-12	1.880
2406X16X14	1.500	1-5/16-12	0.719	1-3/16-12	1.906
2406X16X20	1.688	1-5/16-12	1.078	1-5/8-12	1.974
2406X16X24	2.000	1-5/16-12	1.313	1-7/8-12	2.099
2406X20X12	2.000	1-5/8-12	0.609	1-1/16-12	1.926
2406X20X16	2.000	1-5/8-12	0.844	1-5/16-12	1.973
2406X20X24	2.000	1-5/8-12	1.313	1-7/8-12	2.145
2406X24X12	2.250	1-7/8-12	0.609	1-1/16-12	2.052
2406X24X16	2.250	1-7/8-12	0.844	1-5/16-12	2.099
2406X24X20	2.250	1-7/8-12	1.078	1-5/8-12	2.146
2406X24X32	2.625	1-7/8-12	1.313	2-1/2-12	2.521
2406X32X24	2.875	2-1/2-12	1.313	1-7/8-12	2.521

37° FLARE (JIC) FITTINGS

Description: **PLUG**
 Part No.: **2408**
 Stainless Part No.: **2408-SS**

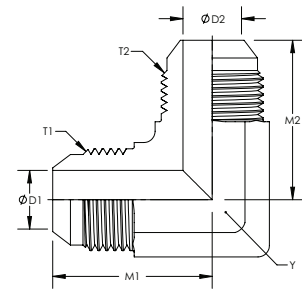
Parker: **PNTX**
 Weatherhead: **5229**
 Aeroquip: **900599**
 Gates: **MJ-PLUG**



Part #	Y Hex	T	D	L
2408X02	0.438	5/16-24	0.063	0.700
2408X03	0.438	3/8-24	0.125	0.730
2408X04	0.500	7/16-20	0.172	0.800
2408X05	0.563	1/2-20	0.234	0.800
2408X06	0.625	9/16-18	0.297	0.840
2408X08	0.813	3/4-16	0.391	0.940
2408X10	0.938	7/8-14	0.484	1.100
2408X12	1.125	1-1/16-12	0.609	1.280
2408X14	1.250	1-3/16-12	0.719	1.310
2408X16	1.375	1-5/16-12	0.844	1.330
2408X20	1.688	1-5/8-12	1.078	1.450
2408X24	2.000	1-7/8-12	1.313	1.650
2408X32	2.625	2-1/2-12	1.781	2.050

Description: **90° UNION ELBOW**
 Part No.: **2500**
 Stainless Part No.: **2500-SS**

Parker: **ETX**
 Weatherhead: **F5505**
 Aeroquip: **2039**
 Gates: **/**



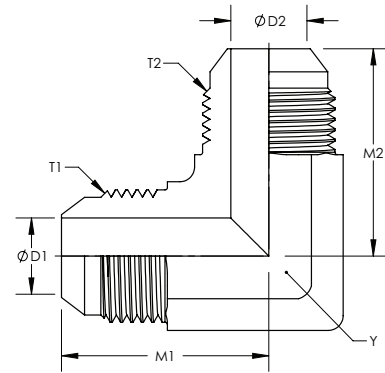
Part #	Y Hex	T1	M1	D1	T2	M2	D2
2500X02X02	0.438	5/16-24	0.770	0.063	5/16-24	0.770	0.063
2500X03X03	0.438	3/8-24	0.830	0.125	3/8-24	0.830	0.125
2500X04X04	0.438	7/16-20	0.890	0.172	7/16-20	0.890	0.172
2500X05X04	0.563	1/2-20	0.950	0.234	7/16-20	0.950	0.172
2500X05X05	0.563	1/2-20	0.950	0.234	1/2-20	0.950	0.234
2500X06X04	0.563	9/16-18	1.060	0.297	7/16-20	1.050	0.172
2500X06X05	0.563	9/16-18	1.060	0.297	1/2-20	1.050	0.234
2500X06X06	0.563	9/16-18	1.060	0.297	9/16-18	1.060	0.297
2500X08X04	0.750	3/4-16	1.250	0.391	7/16-20	1.120	0.172
2500X08X06	0.750	3/4-16	1.250	0.391	9/16-18	1.140	0.297
2500X08X08	0.750	3/4-16	1.250	0.391	3/4-16	1.250	0.391
2500X10X08	0.875	7/8-14	1.450	0.484	3/4-16	1.330	0.391
2500X10X10	0.875	7/8-14	1.450	0.484	7/8-14	1.450	0.484
2500X12X08	1.063	1-1/16-12	1.660	0.609	3/4-16	1.420	0.391

Continued on page 63

Continued from page 62

Description: **90° UNION ELBOW**
Part No.: **2500**
Stainless Part No.: **2500-SS**

Parker: **ETX**
Weatherhead: **F5505**
Aeroquip: **2039**
Gates: **/**

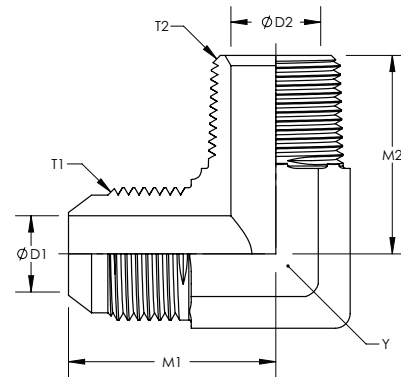


B

Part #	Y Hex	T1	M1	D1	T2	M2	D2
2500X12X10	1.063	1-1/16-12	1.660	0.609	7/8-14	1.540	0.484
2500X12X12	1.063	1-1/16-12	1.660	0.609	1-1/16-12	1.660	0.609
2500X14X14	1.313	1-3/16-12	1.800	0.719	1-3/16-12	1.800	0.719
2500X16X12	1.313	1-5/16-12	1.810	0.844	1-1/16-12	1.760	0.609
2500X16X16	1.313	1-5/16-12	1.810	0.844	1-5/16-12	1.810	0.844
2500X20X20	1.625	1-5/8-12	2.060	1.078	1-5/8-12	2.060	1.078
2500X24X24	1.875	1-7/8-12	2.330	1.313	1-7/8-12	2.330	1.313
2500X32X32	2.500	2-1/2-12	3.060	1.781	2-1/2-12	3.060	1.781

Description: **90° MALE ELBOW**
Part No.: **2501**
Stainless Part No.: **2501-SS**

Parker: **CTX**
Weatherhead: **F5405**
Aeroquip: **2024-[R]**
Gates: **MJ-MP90**



Part #	Y Hex	T1	M1	D1	T2	M2	D2
2501X02X02	0.438	5/16-24	0.770	0.063	1/8-27	0.720	0.188
2501X02X04	0.563	5/16-24	0.940	0.063	1/4-18	1.090	0.281
2501X03X02	0.438	3/8-24	0.830	0.125	1/8-27	0.720	0.188
2501X04X02	0.438	7/16-20	0.890	0.172	1/8-27	0.780	0.188
2501X04X04	0.563	7/16-20	1.050	0.172	1/4-18	1.090	0.281
2501X04X06	0.750	7/16-20	1.120	0.172	3/8-18	1.220	0.406
2501X04X08	0.875	7/16-20	1.210	0.172	1/2-14	1.470	0.531
2501X04X12	1.063	7/16-20	1.660	0.172	3/4-14	1.590	0.719
2501X05X02	0.563	1/2-20	0.950	0.234	1/8-27	0.780	0.188
2501X05X04	0.563	1/2-20	1.050	0.234	1/4-18	1.090	0.281
2501X05X06	0.750	1/2-20	1.120	0.234	3/8-18	1.220	0.406
2501X05X08	0.875	1/2-20	1.210	0.234	1/2-14	1.470	0.531
2501X06X02	0.563	9/16-18	1.060	0.297	1/8-27	0.900	0.188
2501X06X04	0.563	9/16-18	1.060	0.297	1/4-18	1.090	0.281

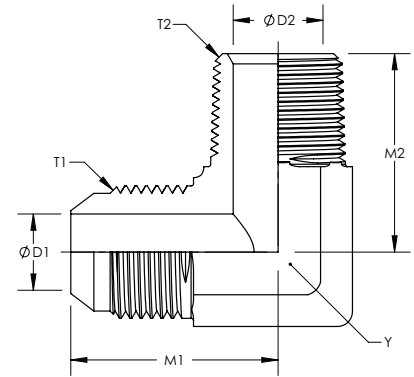
Continued on page 64

37° FLARE (JIC) FITTINGS

Continued from page 63

Description: **90° MALE ELBOW**
 Part No.: **2501**
 Stainless Part No.: **2501-SS**

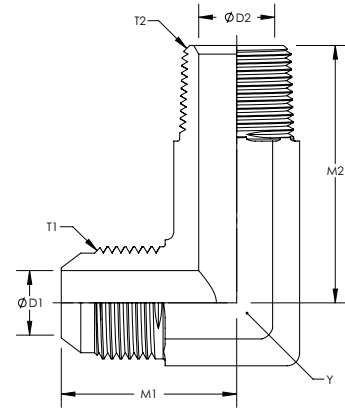
Parker: CTX
 Weatherhead: F5405
 Aeroquip: 2024-[R]
 Gates: MJ-MP90



Part #	Y Hex	T1	M1	D1	T2	M2	D2
2501X06X06	0.750	9/16-18	1.140	0.297	3/8-18	1.220	0.406
2501X06X08	0.875	9/16-18	1.220	0.297	1/2-14	1.470	0.531
2501X06X12	1.063	9/16-18	1.310	0.297	3/4-14	1.590	0.719
2501X08X02	0.750	3/4-16	1.250	0.391	1/8-27	1.030	0.188
2501X08X04	0.750	3/4-16	1.250	0.391	1/4-18	1.220	0.281
2501X08X06	0.750	3/4-16	1.250	0.391	3/8-18	1.220	0.406
2501X08X08	0.875	3/4-16	1.330	0.391	1/2-14	1.470	0.531
2501X08X12	1.063	3/4-16	1.420	0.391	3/4-14	1.590	0.719
2501X08X16	1.313	3/4-16	1.520	0.391	1-11-1/2	1.970	0.938
2501X10X06	0.875	7/8-14	1.450	0.484	3/8-18	1.280	0.406
2501X10X08	0.875	7/8-14	1.450	0.484	1/2-14	1.470	0.531
2501X10X12	1.063	7/8-14	1.540	0.484	3/4-14	1.590	0.719
2501X10X16	1.313	7/8-14	1.640	0.484	1-11-1/2	1.970	0.938
2501X12X06	1.063	1-1/16-12	1.660	0.609	3/8-18	1.400	0.406
2501X12X08	1.063	1-1/16-12	1.660	0.609	1/2-14	1.590	0.531
2501X12X12	1.063	1-1/16-12	1.660	0.609	3/4-14	1.590	0.719
2501X12X16	1.313	1-1/16-12	1.760	0.609	1-11-1/2	1.970	0.938
2501X12X20	1.625	1-1/16-12	1.970	0.609	1-1/4-11-1/2	2.380	1.250
2501X12X24	1.875	1-1/16-12	2.110	0.609	1-1/2-11-12	2.640	1.500
2501X14X12	1.313	1-3/16-12	1.800	0.719	3/4-14	1.690	0.719
2501X16X08	1.313	1-5/16-12	1.810	0.844	1/2-14	1.780	0.531
2501X16X12	1.313	1-5/16-12	1.810	0.844	3/4-14	1.780	0.719
2501X16X16	1.313	1-5/16-12	1.810	0.844	1-11-1/2	1.970	0.938
2501X16X20	1.625	1-5/16-12	2.010	0.844	1-1/4-11-1/2	2.380	1.250
2501X16X24	1.875	1-5/16-12	2.160	0.844	1-1/2-11-12	2.640	1.500
2501X20X12	1.625	1-5/8-12	2.060	1.078	3/4-14	2.160	0.719
2501X20X16	1.625	1-5/8-12	2.060	1.078	1-11-1/2	2.350	0.938
2501X20X20	1.625	1-5/8-12	2.060	1.078	1-1/4-11-1/2	2.380	1.250
2501X20X24	1.875	1-5/8-12	2.200	1.078	1-1/2-11-12	2.640	1.500
2501X24X16	1.875	1-7/8-12	2.330	1.313	1-11-1/2	2.580	0.938
2501X24X20	1.875	1-7/8-12	2.330	1.313	1-1/4-11-1/2	2.610	1.250
2501X24X24	1.875	1-7/8-12	2.330	1.313	1-1/2-11-12	2.640	1.500
2501X24X32	2.500	1-7/8-12	2.810	1.313	2-11-1/2	3.000	1.938
2501X32X24	2.500	2-1/2-12	3.060	1.781	1-1/2-11-12	2.970	1.500
2501X32X32	2.500	2-1/2-12	3.060	1.781	2-11-1/2	3.000	1.938

Description: **90° MALE LONG ELBOW**
 Part No.: **2501-L**
 Stainless Part No.: **2501-L-SS**

Parker: **CCTX**
 Weatherhead: **F5425**
 Aeroquip: **202411-[R]**
 Gates: **/**



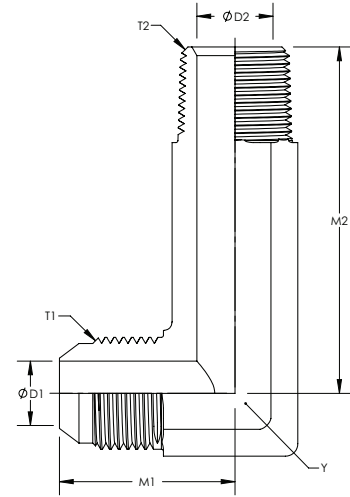
B

Part #	Y Hex	T1	M1	D1	T2	M2	D2
2501-LX04X02	0.438	7/16-20	0.890	0.172	1/8-27	1.170	0.188
2501-LX04X04	0.563	7/16-20	1.050	0.172	1/4-18	1.580	0.281
2501-LX05X02	0.563	1/2-20	0.950	0.234	1/8-27	1.170	0.188
2501-LX05X04	0.563	1/2-20	1.050	0.234	1/4-18	1.580	0.281
2501-LX06X02	0.563	9/16-18	1.060	0.297	1/8-27	1.390	0.188
2501-LX06X04	0.563	9/16-18	1.060	0.297	1/4-18	1.580	0.281
2501-LX06X06	0.750	9/16-18	1.140	0.297	3/8-18	1.820	0.406
2501-LX06X08	0.875	9/16-18	1.220	0.297	1/2-14	2.170	0.531
2501-LX08X04	0.750	3/4-16	1.250	0.391	1/4-18	1.820	0.281
2501-LX08X06	0.750	3/4-16	1.250	0.391	3/8-18	1.820	0.406
2501-LX08X08	0.875	3/4-16	1.330	0.391	1/2-14	2.170	0.531
2501-LX08X12	1.063	3/4-16	1.420	0.391	3/4-14	2.440	0.719
2501-LX10X08	0.875	7/8-14	1.450	0.484	1/2-14	2.170	0.531
2501-LX10X12	1.063	7/8-14	1.540	0.484	3/4-14	2.440	0.719
2501-LX12X12	1.063	1-1/16-12	1.660	0.609	3/4-14	2.440	0.719
2501-LX12X16	1.313	1-1/16-12	1.760	0.609	1-11-1/2	3.010	0.938
2501-LX14X12	1.313	1-3/16-12	1.800	0.719	3/4-14	2.590	0.719
2501-LX16X16	1.313	1-5/16-12	1.810	0.844	1-11-1/2	3.010	0.938
2501-LX20X20	1.625	1-5/8-12	2.060	1.078	1-1/4-11-1/2	3.690	1.250
2501-LX24X24	1.875	1-7/8-12	2.330	1.313	1-1/2-11-1/2	4.100	1.500

37° FLARE (JIC) FITTINGS

Description: 90° MALE EXTRA LONG ELBOW
Part No.: 2501-LL
Stainless Part No.: 2501-LL-SS
Parker: CCCTX
Weatherhead: F5435
Aeroquip: 202413-[R]
Gates: /

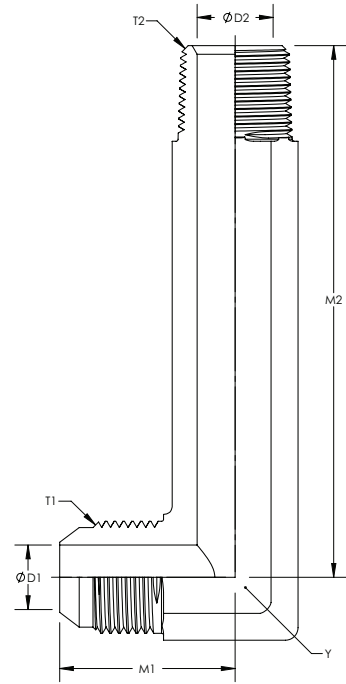
B



Part #	Y Hex	T1	M1	D1	T2	M2	D2
2501-LLX04X02	0.438	7/16-20	0.890	0.172	1/8-27	1.560	0.188
2501-LLX04X04	0.563	7/16-20	1.050	0.172	1/4-18	2.070	0.281
2501-LLX05X02	0.563	1/2-20	0.950	0.234	1/8-27	1.630	0.188
2501-LLX05X04	0.563	1/2-20	1.050	0.234	1/4-18	2.070	0.281
2501-LLX06X04	0.563	9/16-18	1.060	0.297	1/4-18	2.070	0.281
2501-LLX06X06	0.750	9/16-18	1.140	0.297	3/8-18	2.420	0.406
2501-LLX06X08	0.875	9/16-18	1.220	0.297	1/2-14	2.870	0.531
2501-LLX08X06	0.750	3/4-16	1.250	0.391	3/8-18	2.420	0.406
2501-LLX08X08	0.875	3/4-16	1.330	0.391	1/2-14	2.870	0.531
2501-LLX10X08	0.875	7/8-14	1.450	0.484	1/2-14	2.870	0.531
2501-LLX12X08	1.063	1-1/16-12	1.660	0.609	1/2-14	3.280	0.531
2501-LLX12X12	1.063	1-1/16-12	1.660	0.609	3/4-14	3.280	0.719
2501-LLX14X12	1.313	1-3/16-12	1.800	0.719	3/4-14	3.500	0.719
2501-LLX16X16	1.313	1-5/16-12	1.810	0.844	1-11-1/2	4.050	0.938
2501-LLX20X20	1.625	1-5/8-12	2.060	1.078	1-1/4-11-1/2	5.000	1.250

Description: **90° MALE EXTRA EXTRA LONG ELBOW**
 Part No.: **2501-LLL**
 Stainless Part No.: **2501-LLL-SS**

Parker: /
 Weatherhead: F5445
 Aeroquip: 202414-[R]
 Gates: /



B

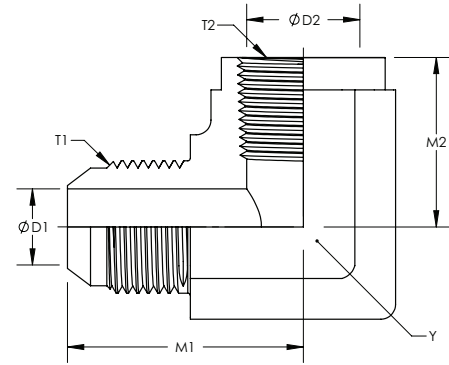
Part #	Y Hex	T1	M1	D1	T2	M2	D2
2501-LLLX04X02	0.438	7/16-20	0.890	0.172	1/8-27	2.310	0.188
2501-LLLX04X04	0.563	7/16-20	1.050	0.172	1/4-18	3.060	0.281
2501-LLLX05X02	0.563	1/2-20	0.950	0.234	1/8-27	2.310	0.188
2501-LLLX06X04	0.563	9/16-18	1.060	0.297	1/4-18	3.060	0.281
2501-LLLX06X06	0.750	9/16-18	1.140	0.297	3/8-18	3.750	0.406
2501-LLLX08X06	0.750	3/4-16	1.250	0.391	3/8-18	3.750	0.406
2501-LLLX08X08	0.875	3/4-16	1.330	0.391	1/2-14	4.500	0.531
2501-LLLX10X08	0.875	7/8-14	1.450	0.484	1/2-14	4.500	0.531
2501-LLLX12X12	1.063	1-1/16-12	1.660	0.609	3/4-14	5.030	0.719
2501-LLLX16X16	1.313	1-5/16-12	1.810	0.844	1-11-1/2	6.340	0.938

37° FLARE (JIC) FITTINGS

B

Description: **90° FEMALE ELBOW**
 Part No.: **2502**
 Stainless Part No.: **2502-SS**

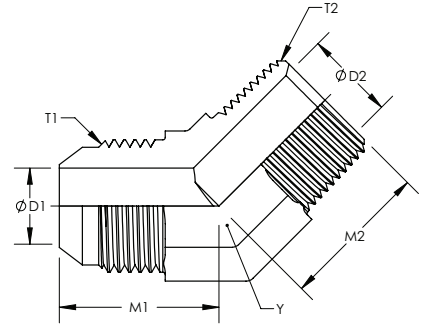
Parker: **DTX**
 Weatherhead: **F5455**
 Aeroquip: **2025-[R]**
 Gates: **MJ-FP90**



Part #	Y Hex	T1	M1	D1	T2	M2	D2
2502X02X02	0.563	5/16-24	1.000	0.063	1/8-27	0.660	0.332
2502X03X02	0.563	3/8-24	1.030	0.125	1/8-27	0.660	0.332
2502X04X02	0.563	7/16-20	1.080	0.172	1/8-27	0.660	0.332
2502X04X04	0.750	7/16-20	1.220	0.172	1/4-18	0.880	0.438
2502X04X06	0.875	7/16-20	1.290	0.172	3/8-18	1.020	0.563
2502X04X08	1.063	7/16-20	1.400	0.172	1/2-14	1.230	0.703
2502X05X02	0.563	1/2-20	1.080	0.234	1/8-27	0.660	0.332
2502X05X04	0.750	1/2-20	1.220	0.234	1/4-18	0.880	0.438
2502X05X06	0.875	1/2-20	1.290	0.234	3/8-18	1.020	0.563
2502X06X02	0.563	9/16-18	1.230	0.297	1/8-27	0.670	0.332
2502X06X04	0.750	9/16-18	1.230	0.297	1/4-18	0.880	0.438
2502X06X06	0.875	9/16-18	1.310	0.297	3/8-18	1.020	0.563
2502X06X08	1.063	9/16-18	1.410	0.297	1/2-14	1.230	0.703
2502X08X04	0.875	3/4-16	1.420	0.391	1/4-18	1.010	0.438
2502X08X06	0.875	3/4-16	1.420	0.391	3/8-18	1.020	0.563
2502X08X08	1.063	3/4-16	1.520	0.391	1/2-14	1.230	0.703
2502X08X12	1.313	3/4-16	1.650	0.391	3/4-14	1.360	0.906
2502X10X06	1.063	7/8-14	1.640	0.484	3/8-18	1.010	0.563
2502X10X08	1.063	7/8-14	1.640	0.484	1/2-14	1.230	0.703
2502X10X12	1.313	7/8-14	1.770	0.484	3/4-14	1.360	0.906
2502X12X08	1.313	1-1/16-12	1.890	0.609	1/2-14	1.350	0.703
2502X12X12	1.313	1-1/16-12	1.890	0.609	3/4-14	1.360	0.906
2502X12X16	1.625	1-1/16-12	2.120	0.609	1-11-1/2	1.620	1.141
2502X14X12	1.313	1-3/16-12	1.860	0.719	3/4-14	1.420	0.906
2502X16X12	1.313	1-5/16-12	2.170	0.844	3/4-14	1.390	0.906
2502X16X16	1.625	1-5/16-12	2.170	0.844	1-11-1/2	1.620	1.141
2502X16X20	1.875	1-5/16-12	2.280	0.844	1-1/4-11-1/2	1.700	1.484
2502X20X20	1.875	1-5/8-12	2.330	1.078	1-1/4-11-1/2	1.700	1.484
2502X24X24	2.562	1-7/8-12	2.890	1.313	1-1/2-11-1/2	2.080	1.744
2502X32X32	2.812	2-1/2-12	3.300	1.781	2-11-1/2	2.390	2.213

Description: **45° MALE ELBOW**
 Part No.: **2503**
 Stainless Part No.: **2503-SS**

Parker: **VTX**
 Weatherhead: **F5355**
 Aeroquip: **2023-[R]**
 Gates: **MJ-MP45**



B

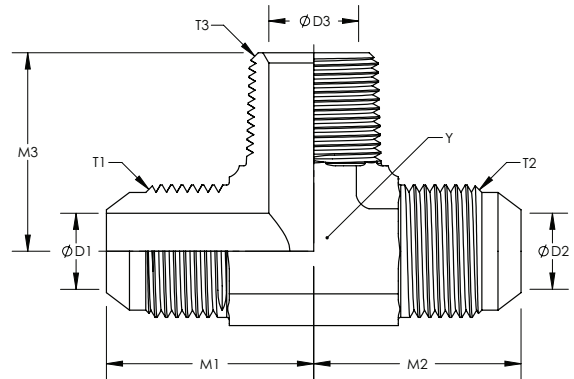
Part #	Y Hex	T1	M1	D1	T2	M2	D2
2503X02X02	0.438	5/16-24	0.690	0.063	1/8-27	0.520	0.188
2503X03X02	0.438	3/8-24	0.690	0.125	1/8-27	0.520	0.188
2503X04X02	0.438	7/16-20	0.720	0.172	1/8-27	0.640	0.188
2503X04X04	0.563	7/16-20	0.820	0.172	1/4-18	0.860	0.281
2503X04X06	0.750	7/16-20	0.850	0.172	3/8-18	0.950	0.406
2503X04X08	0.875	7/16-20	0.870	0.172	1/2-14	1.170	0.531
2503X05X02	0.563	1/2-20	0.770	0.234	1/8-27	0.640	0.188
2503X05X04	0.563	1/2-20	0.820	0.234	1/4-18	0.860	0.281
2503X06X02	0.563	9/16-18	0.830	0.297	1/8-27	0.670	0.188
2503X06X04	0.563	9/16-18	0.830	0.297	1/4-18	0.860	0.281
2503X06X06	0.750	9/16-18	0.870	0.297	3/8-18	0.950	0.406
2503X06X08	0.875	9/16-18	0.880	0.297	1/2-14	1.170	0.531
2503X06X12	1.063	9/16-18	0.930	0.297	3/4-14	1.200	0.719
2503X08X04	0.750	3/4-16	0.980	0.391	1/4-18	0.950	0.281
2503X08X06	0.750	3/4-16	0.980	0.391	3/8-18	0.950	0.406
2503X08X08	0.875	3/4-16	0.990	0.391	1/2-14	1.170	0.531
2503X08X12	1.063	3/4-16	1.040	0.391	3/4-14	1.200	0.719
2503X10X06	0.875	7/8-14	1.110	0.484	3/8-18	0.980	0.406
2503X10X08	0.875	7/8-14	1.110	0.484	1/2-14	1.170	0.531
2503X10X12	1.063	7/8-14	1.160	0.484	3/4-14	1.200	0.719
2503X12X08	1.063	1-1/16-12	1.280	0.609	1/2-14	1.200	0.531
2503X12X12	1.063	1-1/16-12	1.280	0.609	3/4-14	1.200	0.719
2503X12X16	1.313	1-1/16-12	1.420	0.609	1-11-1/2	1.480	0.938
2503X14X12	1.313	1-3/16-12	1.450	0.719	3/4-14	1.300	0.719
2503X16X08	1.313	1-5/16-12	1.470	0.844	1/2-14	1.290	0.531
2503X16X12	1.313	1-5/16-12	1.470	0.844	3/4-14	1.290	0.719
2503X16X16	1.313	1-5/16-12	1.470	0.844	1-11-1/2	1.480	0.938
2503X16X20	1.625	1-5/16-12	1.540	0.844	1-1/4-11-1/2	1.670	1.250
2503X20X16	1.625	1-5/8-12	1.590	1.078	1-11-1/2	1.640	0.938
2503X20X20	1.625	1-5/8-12	1.590	1.078	1-1/4-11-1/2	1.670	1.250
2503X20X24	1.875	1-5/8-12	1.650	1.078	1-1/2-11-1/2	1.770	1.500
2503X24X20	1.875	1-7/8-12	1.780	1.313	1-1/4-11-1/2	1.740	1.250
2503X24X24	1.875	1-7/8-12	1.780	1.313	1-1/2-11-1/2	1.770	1.500
2503X32X32	2.500	2-1/2-12	2.220	1.781	2-11-1/2	2.110	1.938

37° FLARE (JIC) FITTINGS

B

Description: **MALE BRANCH TEE**
 Part No.: **2601**
 Stainless Part No.: **2601-SS**

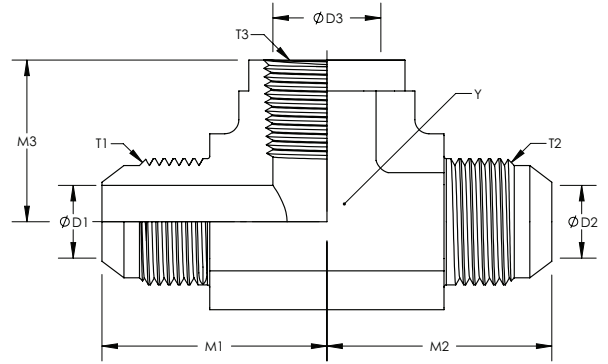
Parker: **STX**
 Weatherhead: **F5605**
 Aeroquip: **2030-[R]**
 Gates: **MJ-MJ-MP**



Part #	Y Hex	T1	M1	D1	T2	M2	D2
2601X02X02	0.438	5/16-24	0.690	0.063	1/8-27	0.520	0.188
2601X03X02	0.438	3/8-24	0.690	0.125	1/8-27	0.520	0.188
2601X04X02	0.438	7/16-20	0.720	0.172	1/8-27	0.640	0.188
2601X04X04	0.563	7/16-20	0.820	0.172	1/4-18	0.860	0.281
2601X04X06	0.750	7/16-20	0.850	0.172	3/8-18	0.950	0.406
2601X04X08	0.875	7/16-20	0.870	0.172	1/2-14	1.170	0.531
2601X05X02	0.563	1/2-20	0.770	0.234	1/8-27	0.640	0.188
2601X05X04	0.563	1/2-20	0.820	0.234	1/4-18	0.860	0.281
2601X06X02	0.563	9/16-18	0.830	0.297	1/8-27	0.670	0.188
2601X06X04	0.563	9/16-18	0.830	0.297	1/4-18	0.860	0.281
2601X06X06	0.750	9/16-18	0.870	0.297	3/8-18	0.950	0.406
2601X06X08	0.875	9/16-18	0.880	0.297	1/2-14	1.170	0.531
2601X06X12	1.063	9/16-18	0.930	0.297	3/4-14	1.200	0.719
2601X08X04	0.750	3/4-16	0.980	0.391	1/4-18	0.950	0.281
2601X08X06	0.750	3/4-16	0.980	0.391	3/8-18	0.950	0.406
2601X08X08	0.875	3/4-16	0.990	0.391	1/2-14	1.170	0.531
2601X08X12	1.063	3/4-16	1.040	0.391	3/4-14	1.200	0.719
2601X10X06	0.875	7/8-14	1.110	0.484	3/8-18	0.980	0.406
2601X10X08	0.875	7/8-14	1.110	0.484	1/2-14	1.170	0.531
2601X10X12	1.063	7/8-14	1.160	0.484	3/4-14	1.200	0.719
2601X12X08	1.063	1-1/16-12	1.280	0.609	1/2-14	1.200	0.531
2601X12X12	1.063	1-1/16-12	1.280	0.609	3/4-14	1.200	0.719
2601X12X16	1.313	1-1/16-12	1.420	0.609	1-11-1/2	1.480	0.938
2601X14X12	1.313	1-3/16-12	1.450	0.719	3/4-14	1.300	0.719
2601X16X08	1.313	1-5/16-12	1.470	0.844	1/2-14	1.290	0.531
2601X16X12	1.313	1-5/16-12	1.470	0.844	3/4-14	1.290	0.719
2601X16X16	1.313	1-5/16-12	1.470	0.844	1-11-1/2	1.480	0.938
2601X16X20	1.625	1-5/16-12	1.540	0.844	1-1/4-11-1/2	1.670	1.250
2601X20X16	1.625	1-5/8-12	1.590	1.078	1-11-1/2	1.640	0.938
2601X20X20	1.625	1-5/8-12	1.590	1.078	1-1/4-11-1/2	1.670	1.250
2601X20X24	1.875	1-5/8-12	1.650	1.078	1-1/2-11-1/2	1.770	1.500
2601X24X20	1.875	1-7/8-12	1.780	1.313	1-1/4-11-1/2	1.740	1.250
2601X24X24	1.875	1-7/8-12	1.780	1.313	1-1/2-11-1/2	1.770	1.500
2601X32X32	2.500	2-1/2-12	2.220	1.781	2-11-1/2	2.110	1.938

Description: **FEMALE BRANCH TEE**
 Part No.: **2602**
 Stainless Part No.: **2602-SS**

Parker: /
 Weatherhead: F5655
 Aeroquip: /
 Gates: /



B

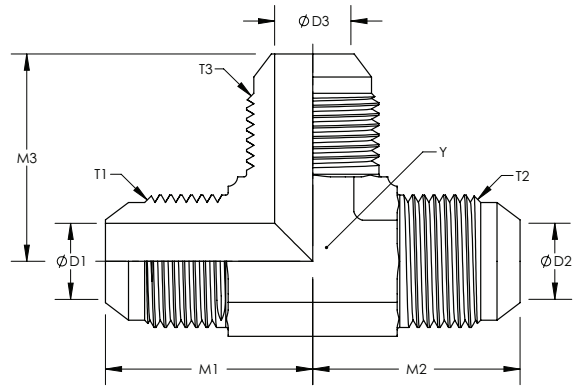
Part #	Y Hex	T1	M1	D1	T2	M2	D2	T3	M3	D3
2602X04X04X02	0.563	7/16-20	1.080	0.172	7/16-20	1.080	0.172	1/8-27	0.660	0.332
2602X04X04X04	0.750	7/16-20	1.220	0.172	7/16-20	1.220	0.172	1/4-18	0.880	0.438
2602X05X05X02	0.563	1/2-20	1.080	0.234	1/2-20	1.080	0.234	1/8-27	0.660	0.332
2602X06X06X04	0.750	9/16-18	1.230	0.297	9/16-18	1.230	0.297	1/4-18	0.880	0.438
2602X06X06X06	0.875	9/16-18	1.310	0.297	9/16-18	1.310	0.297	3/8-18	1.020	0.563
2602X08X08X04	0.875	3/4-16	1.420	0.391	3/4-16	1.420	0.391	1/4-18	1.010	0.438
2602X08X08X06	0.875	3/4-16	1.420	0.391	3/4-16	1.420	0.391	3/8-18	1.020	0.563
2602X08X08X08	1.063	3/4-16	1.520	0.391	3/4-16	1.520	0.391	1/2-14	1.230	0.703
2602X10X10X08	1.063	7/8-14	1.640	0.484	7/8-14	1.640	0.484	1/2-14	1.230	0.703
2602X10X10X12	1.313	7/8-14	1.770	0.484	7/8-14	1.770	0.484	3/4-14	1.360	0.906
2602X12X12X08	1.313	1-1/16-12	1.890	0.609	1-1/16-12	1.890	0.609	1/2-14	1.350	0.703
2602X12X12X12	1.313	1-1/16-12	1.890	0.609	1-1/16-12	1.890	0.609	3/4-14	1.360	0.906
2602X12X12X16	1.625	1-1/16-12	2.120	0.609	1-1/16-12	2.120	0.609	1-11-1/2	1.620	1.141
2602X14X14X12	1.313	1-3/16-12	1.860	0.719	1-3/16-12	1.860	0.719	3/4-14	1.420	0.906
2602X16X16X12	1.625	1-5/16-12	2.170	0.844	1-5/16-12	2.170	0.844	3/4-14	1.390	0.906
2602X16X16X16	1.625	1-5/16-12	2.170	0.844	1-5/16-12	2.170	0.844	1-11-1/2	1.620	1.141
2602X20X20X20	1.875	1-5/8-12	2.330	1.078	1-5/8-12	2.330	1.078	1-1/4-11-1/2	1.700	1.484
2602X24X24X24	2.562	1-7/8-12	2.890	1.313	1-7/8-12	2.890	1.313	1-1/2-11-1/2	2.080	1.744
2602X32X32X32	2.812	2-1/2-12	3.300	1.781	2-1/2-12	3.300	1.781	2-11-1/2	2.390	2.213

37° FLARE (JIC) FITTINGS

B

Description: **UNION TEE**
 Part No.: **2603**
 Stainless Part No.: **2603-SS**

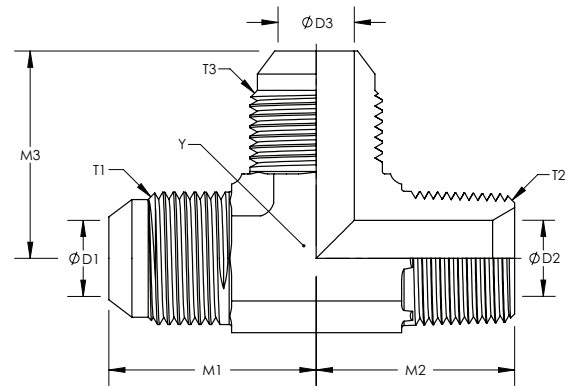
Parker: **JTX**
 Weatherhead: **F5705**
 Aeroquip: **2033**
 Gates: **MJ-MJ-MJ**



Part #	Y Hex	T1	M1	D1	T2	M2	D2	T3	M3	D3
2603X02X02X02	0.438	5/16-24	0.770	0.063	5/16-24	0.770	0.063	5/16-24	0.770	0.063
2603X03X03X03	0.438	3/8-24	0.830	0.125	3/8-24	0.830	0.125	3/8-24	0.830	0.125
2603X04X04X04	0.438	7/16-20	0.890	0.172	7/16-20	0.890	0.172	7/16-20	0.890	0.172
2603X04X04X06	0.563	7/16-20	1.050	0.172	7/16-20	1.050	0.172	9/16-18	1.060	0.297
2603X05X05X05	0.563	1/2-20	0.950	0.234	1/2-20	0.950	0.234	1/2-20	0.950	0.234
2603X06X06X04	0.563	9/16-18	1.060	0.297	9/16-18	1.060	0.297	7/16-20	1.050	0.172
2603X06X06X06	0.563	9/16-18	1.060	0.297	9/16-18	1.060	0.297	9/16-18	1.060	0.297
2603X06X06X08	0.750	9/16-18	1.140	0.297	9/16-18	1.140	0.297	3/4-16	1.250	0.391
2603X08X08X08	0.750	3/4-16	1.250	0.391	3/4-16	1.250	0.391	3/4-16	1.250	0.391
2603X08X08X10	0.875	3/4-16	1.330	0.391	3/4-16	1.330	0.391	7/8-14	1.450	0.484
2603X08X08X12	1.063	3/4-16	1.420	0.391	3/4-16	1.420	0.391	1-1/16-12	1.660	0.609
2603X08X10X10	0.875	3/4-16	1.330	0.391	7/8-14	1.450	0.484	7/8-14	1.450	0.484
2603X10X08X08	0.875	7/8-14	1.450	0.484	3/4-16	1.330	0.391	3/4-16	1.330	0.391
2603X10X10X08	0.875	7/8-14	1.450	0.484	7/8-14	1.450	0.484	3/4-16	1.330	0.391
2603X10X10X10	0.875	7/8-14	1.450	0.484	7/8-14	1.450	0.484	7/8-14	1.450	0.484
2603X12X10X12	1.063	1-1/16-12	1.660	0.609	7/8-14	1.540	0.484	1-1/16-12	1.660	0.609
2603X12X12x08	1.063	1-1/16-12	1.660	0.609	1-1/16-12	1.660	0.609	3/4-16	1.420	0.391
2603X12X12X12	1.063	1-1/16-12	1.660	0.609	1-1/16-12	1.660	0.609	1-1/16-12	1.660	0.609
2603X12X12X16	1.313	1-1/16-12	1.760	0.609	1-1/16-12	1.760	0.609	1-5/16-12	1.810	0.844
2603X14X14X14	1.313	1-3/16-12	1.800	0.719	1-3/16-12	1.800	0.719	1-3/16-12	1.800	0.719
2603X16X12X20	1.625	1-5/16-12	2.010	0.844	1-1/16-12	1.970	0.609	1-5/8-12	2.060	1.078
2603X16X16X12	1.313	1-5/16-12	1.810	0.844	1-5/16-12	1.810	0.844	1-1/16-12	1.760	0.609
2603X16X16X16	1.313	1-5/16-12	1.810	0.844	1-5/16-12	1.810	0.844	1-5/16-12	1.810	0.844
2603X16X16X20	1.625	1-5/16-12	2.010	0.844	1-5/16-12	2.010	0.844	1-5/8-12	2.060	1.078
2603X20X16X16	1.625	1-5/8-12	2.060	1.078	1-5/16-12	2.010	0.844	1-5/16-12	2.010	0.844
2603X20X20X20	1.625	1-5/8-12	2.060	1.078	1-5/8-12	2.060	1.078	1-5/8-12	2.060	1.078
2603X24X24X24	1.875	1-7/8-12	2.330	1.313	1-7/8-12	2.330	1.313	1-7/8-12	2.330	1.313
2603X32X32X32	2.500	2-1/2-12	3.060	1.781	2-1/2-12	3.060	1.781	2-1/2-12	3.060	1.781

Description: **MALE RUN TEE**
 Part No.: **2605**
 Stainless Part No.: **2605-SS**

Parker: **RTX**
 Weatherhead: **F5755**
 Aeroquip: **2028-[R]**
 Gates: **/**



B

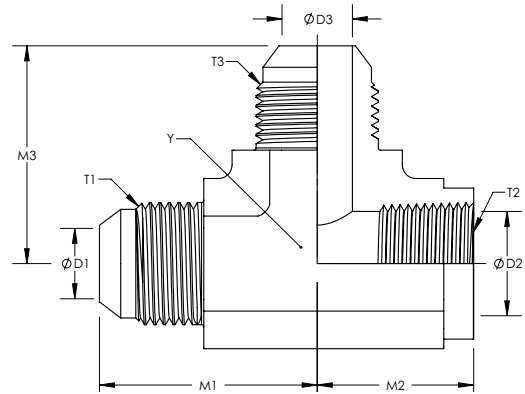
Part #	Y Hex	T1	M1	D1	T2	M2	D2	T3	M3	D3
2605X03X02X03	0.438	3/8-24	0.830	0.125	1/8-27	0.720	0.188	3/8-24	0.830	0.125
2605X04X02X04	0.438	7/16-20	0.890	0.172	1/8-27	0.780	0.188	7/16-20	0.890	0.172
2605X04X04X04	0.563	7/16-20	1.050	0.172	1/4-18	1.090	0.281	7/16-20	1.050	0.172
2605X05X02X05	0.563	1/2-20	0.950	0.234	1/8-27	0.780	0.188	1/2-20	0.950	0.234
2605X06X02X06	0.563	9/16-18	1.060	0.297	1/8-27	0.900	0.188	9/16-18	1.060	0.297
2605X06X04X04	0.563	9/16-18	1.060	0.297	1/4-18	1.090	0.281	7/16-20	1.050	0.172
2605X06X04X06	0.563	9/16-18	1.060	0.297	1/4-18	1.090	0.281	9/16-18	1.060	0.297
2605X06X06X06	0.750	9/16-18	1.140	0.297	3/8-18	1.220	0.406	9/16-18	1.140	0.297
2605X06X08X06	0.875	9/16-18	1.220	0.297	1/2-14	1.470	0.531	9/16-18	1.220	0.297
2605X08X04X08	0.750	3/4-16	1.250	0.391	1/4-18	1.220	0.281	3/4-16	1.250	0.391
2605X08X06X08	0.750	3/4-16	1.250	0.391	3/8-18	1.220	0.406	3/4-16	1.250	0.391
2605X08X08X08	0.875	3/4-16	1.330	0.391	1/2-14	1.470	0.531	3/4-16	1.330	0.391
2605X10X08X10	0.875	7/8-14	1.450	0.484	1/2-14	1.470	0.531	7/8-14	1.450	0.484
2605X12X08X12	1.063	1-1/16-12	1.660	0.609	1/2-14	1.590	0.531	1-1/16-12	1.660	0.609
2605X12X12X08	1.063	1-1/16-12	1.660	0.609	3/4-14	1.590	0.719	3/4-16	1.420	0.391
2605X12X12X12	1.063	1-1/16-12	1.660	0.609	3/4-14	1.590	0.719	1-1/16-12	1.660	0.609
2605X14X12X14	1.313	1-3/16-12	1.800	0.719	3/4-14	1.690	0.719	1-3/16-12	1.800	0.719
2605X16X16X16	1.313	1-5/16-12	1.810	0.844	1-11-1/2	1.970	0.938	1-5/16-12	1.810	0.844
2605X20X20X20	1.625	1-5/8-12	2.060	1.078	1-1/4-11-1/2	2.380	1.250	1-5/8-12	2.060	1.078
2605X24X24X24	1.875	1-7/8-12	2.330	1.313	1-1/2-11-1/2	2.640	1.500	1-7/8-12	2.330	1.313
2605X32X32X32	2.500	2-1/2-12	3.060	1.781	2-11-12	3.000	1.938	2-1/2-12	3.060	1.781

37° FLARE (JIC) FITTINGS

B

Description: **FEMALE RUN TEE**
 Part No.: **2606**
 Stainless Part No.: **2606-SS**

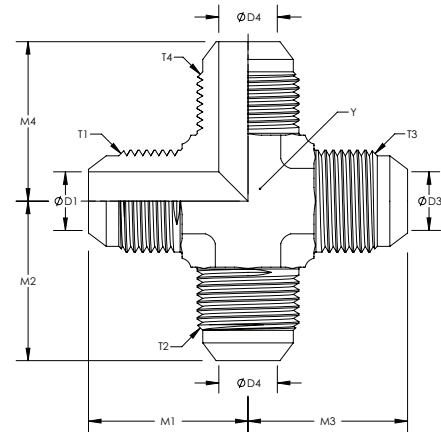
Parker: **MTX**
 Weatherhead: **F5805**
 Aeroquip: **2029-[R]**
 Gates: **/**



Part #	Y Hex	T1	M1	D1	T2	M2	D2	T3	M3	D3
2606X03X02X03	0.563	3/8-24	1.030	0.125	1/8-27	0.660	0.332	3/8-24	1.030	0.125
2606X04X02X04	0.563	7/16-20	1.080	0.172	1/8-27	0.660	0.332	7/16-20	1.080	0.172
2606X04X04X04	0.750	7/16-20	1.220	0.172	1/4-18	0.880	0.438	7/16-20	1.220	0.172
2606X06X04X06	0.750	9/16-18	1.230	0.297	1/4-18	0.880	0.438	9/16-18	1.230	0.297
2606X06X06X06	0.875	9/16-18	1.310	0.297	3/8-18	1.020	0.563	9/16-18	1.310	0.297
2606X08X06X08	0.875	3/4-16	1.420	0.391	3/8-18	1.020	0.563	3/4-16	1.420	0.391
2606X10X08X10	1.063	7/8-14	1.640	0.484	1/2-14	1.230	0.703	7/8-14	1.640	0.484
2606X12X12X12	1.313	1-1/16-12	1.890	0.609	3/4-14	1.360	0.906	1-1/16-12	1.890	0.609
2606X14X12X14	1.313	1-3/16-12	1.860	0.719	3/4-14	1.420	0.906	1-3/16-12	1.860	0.719
2606X16X16X16	1.625	1-5/16-12	2.170	0.844	1-11/12	1.620	1.141	1-5/16-12	2.170	0.844
2606X20X20X20	1.875	1-5/8-12	2.330	1.078	1-1/4-11-1/2	1.700	1.484	1-5/8-12	2.330	1.078

Description: **CROSS**
 Part No.: **2650**
 Stainless Part No.: **2650-SS**

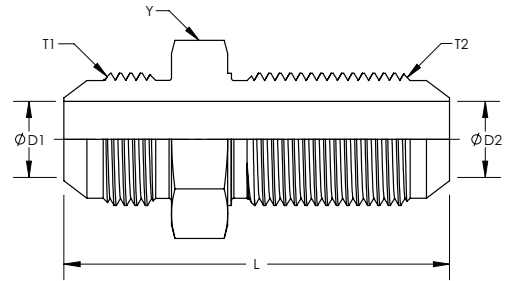
Parker: **KTX**
 Weatherhead: **F5955**
 Aeroquip: **2020**
 Gates: **/**



Part #	Y Hex	T1/T3	M1/M3	D1/D3	T2/T4	M2/M4	D2/D4
2650X02X02X02X02	0.438	5/16-24	0.770	0.063	5/16-24	0.770	0.063
2650X04X04X04X04	0.438	7/16-20	0.890	0.172	7/16-20	0.890	0.172
2650X05X05X05X05	0.563	1/2-20	0.950	0.234	1/2-20	0.950	0.234
2650X06X06X06X06	0.563	9/16-18	1.060	0.297	9/16-18	1.060	0.297
2650X06X08X06X08	0.750	9/16-18	1.140	0.297	3/4-16	1.250	0.391
2650X08X08X08X08	0.750	3/4-16	1.250	0.391	3/4-16	1.250	0.391
2650X10X10X10X10	0.875	7/8-14	1.450	0.484	7/8-14	1.450	0.484
2650X12X12X12X12	1.063	1-1/16-12	1.660	0.609	1-1/16-12	1.660	0.609
2650X14X14X14X14	1.313	1-3/16-12	1.800	0.719	1-3/16-12	1.800	0.719
2650X16X16X16X16	1.313	1-5/16-12	1.810	0.844	1-5/16-12	1.810	0.844
2650X20X20X20X20	1.625	1-5/8-12	2.060	1.078	1-5/8-12	2.060	1.078
2650X24X24X24X24	1.875	1-7/8-12	2.330	1.313	1-7/8-12	2.330	1.313

Description: **BULKHEAD UNION**
 Part No.: **2700**
 Stainless Part No.: **2700-SS**

Parker: **WTX**
 Weatherhead: **5325**
 Aeroquip: **2041-1-[R]**
 Gates: **MJ-BKHD**

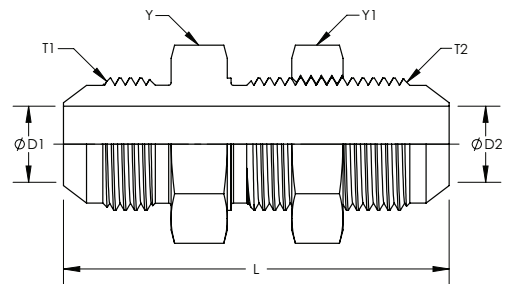


B

Part #	Y Hex	T1	D1	T2	D2	L
2700X04X04	0.688	7/16-20	0.172	7/16-20	0.172	2.070
2700X04X06	0.813	7/16-20	0.172	9/16-18	0.297	2.170
2700X05X05	0.750	1/2-20	0.234	1/2-20	0.234	2.070
2700X06X04	0.813	9/16-18	0.297	7/16-20	0.172	2.170
2700X06X06	0.813	9/16-18	0.297	9/16-18	0.297	2.180
2700X08X08	1.000	3/4-16	0.391	3/4-16	0.391	2.440
2700X10X10	1.125	7/8-14	0.484	7/8-14	0.484	2.740
2700X12X12	1.375	1-1/16-12	0.609	1-1/16-12	0.609	3.090
2700X14X14	1.500	1-3/16-12	0.719	1-3/16-12	0.719	3.120
2700X16X16	1.625	1-5/16-12	0.844	1-5/16-12	0.844	3.140
2700X20X20	1.875	1-5/8-12	1.078	1-5/8-12	1.078	3.310
2700X24X24	2.125	1-7/8-12	1.313	1-7/8-12	1.313	3.520

Description: **BULKHEAD UNION WITH LOCKNUT**
 Part No.: **2700-LN**
 Stainless Part No.: **2700-LN-SS**

Parker: **WTX-WLN**
 Weatherhead: **5325LN**
 Aeroquip: **2041-[R]**
 Gates: **/**



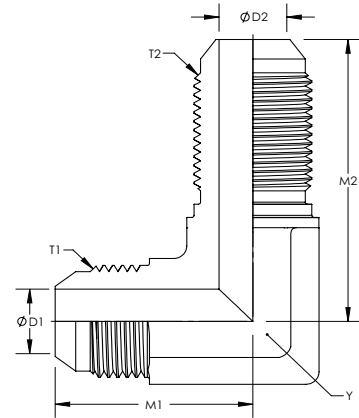
Part #	Y Hex	Y1 Hex	T1	D1	T2	D2	L
2700-LNX04X04	0.688	0.688	7/16-20	0.172	7/16-20	0.172	2.070
2700-LNX05X05	0.750	0.750	1/2-20	0.234	1/2-20	0.234	2.070
2700-LNX06X06	0.813	0.813	9/16-18	0.297	9/16-18	0.297	2.180
2700-LNX08X08	1.000	1.000	3/4-16	0.391	3/4-16	0.391	2.440
2700-LNX10X10	1.125	1.125	7/8-14	0.484	7/8-14	0.484	2.740
2700-LNX12X12	1.375	1.375	1-1/16-12	0.609	1-1/16-12	0.609	3.090
2700-LNX14X14	1.500	1.500	1-3/16-12	0.719	1-3/16-12	0.719	3.120
2700-LNX16X16	1.625	1.625	1-5/16-12	0.844	1-5/16-12	0.844	3.140
2700-LNX20X20	1.875	1.875	1-5/8-12	1.078	1-5/8-12	1.078	3.310
2700-LNX24X24	2.125	2.125	1-7/8-12	1.313	1-7/8-12	1.313	3.520

37° FLARE (JIC) FITTINGS

B

Description: **90° BULKHEAD ELBOW**
 Part No.: **2701**
 Stainless Part No.: **2701-SS**

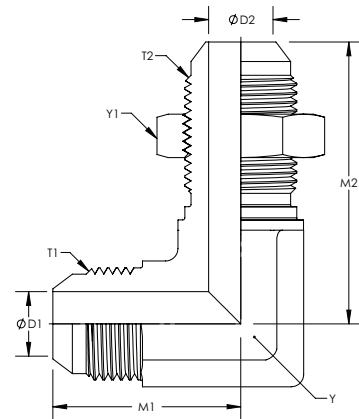
Parker: WETX
 Weatherhead: F5525
 Aeroquip: 2043-1-[R]
 Gates: MJ-BKHD90



Part #	Y Hex	T1	M1	D1	T2	M2	D2
2701X03X03	0.438	3/8-24	0.940	0.125	3/8-24	1.500	0.125
2701X04X04	0.438	7/16-20	0.970	0.172	7/16-20	1.590	0.172
2701X05X05	0.563	1/2-20	1.060	0.234	1/2-20	1.720	0.234
2701X06X06	0.563	9/16-18	1.090	0.297	9/16-18	1.810	0.297
2701X08X08	0.750	3/4-16	1.360	0.391	3/4-16	2.110	0.391
2701X10X10	0.875	7/8-14	1.560	0.484	7/8-14	2.390	0.484
2701X12X12	1.063	1-1/16-12	1.780	0.609	1-1/16-12	2.670	0.609
2701X16X16	1.313	1-5/16-12	1.940	0.844	1-5/16-12	2.800	0.844
2701X20X20	1.625	1-5/8-12	2.170	1.078	1-5/8-12	3.120	1.078

Description: **90° BULKHEAD ELBOW WITH LOCKNUT**
 Part No.: **2701-LN**
 Stainless Part No.: **2701-LN-SS**

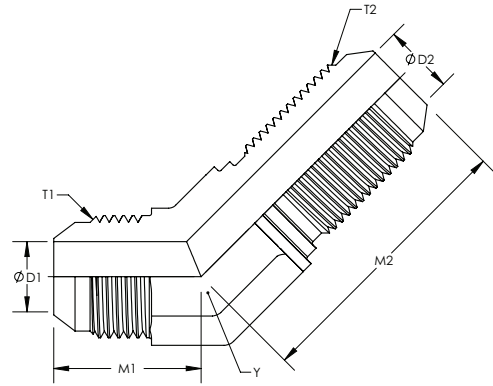
Parker: WETX-WLN
 Weatherhead: F5525LN
 Aeroquip: 2043-[R]
 Gates: /



Part #	Y Hex	T1	M1	D1	T2	M2	D2
2701-LNX03X03	0.438	3/8-24	0.940	0.125	3/8-24	1.500	0.125
2701-LNX04X04	0.438	7/16-20	0.970	0.172	7/16-20	1.590	0.172
2701-LNX05X05	0.563	1/2-20	1.060	0.234	1/2-20	1.720	0.234
2701-LNX06X06	0.563	9/16-18	1.090	0.297	9/16-18	1.810	0.297
2701-LNX08X08	0.750	3/4-16	1.360	0.391	3/4-16	2.110	0.391
2701-LNX10X10	0.875	7/8-14	1.560	0.484	7/8-14	2.390	0.484
2701-LNX12X12	1.063	1-1/16-12	1.780	0.609	1-1/16-12	2.670	0.609
2701-LNX16X16	1.313	1-5/16-12	1.940	0.844	1-5/16-12	2.800	0.844
2701-LNX20X20	1.625	1-5/8-12	2.170	1.078	1-5/8-12	3.120	1.078

Description: **45° BULKHEAD ELBOW**
Part No.: **2702**
Stainless Part No.: **2702-SS**

Parker: WNTX
Weatherhead: F5375
Aeroquip: 2042-1
Gates: MJ-BKHD45

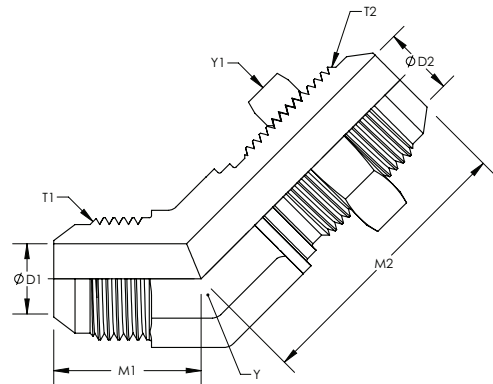


B

Part #	Y Hex	T1	M1	D1	T2	M2	D2
2702X03X03	0.438	3/8-24	0.690	0.125	3/8-24	1.420	0.125
2702X04X04	0.438	7/16-20	0.720	0.172	7/16-20	1.530	0.172
2702X05X05	0.563	1/2-20	0.770	0.234	1/2-20	1.660	0.234
2702X06X06	0.563	9/16-18	0.830	0.297	9/16-18	1.670	0.297
2702X08X06	0.750	3/4-16	0.980	0.391	9/16-18	1.830	0.297
2702X08X08	0.750	3/4-16	0.980	0.391	3/4-16	1.940	0.391
2702X10X10	0.875	7/8-14	1.110	0.484	7/8-14	2.170	0.484
2702X12X12	1.063	1-1/16-12	1.280	0.609	1-1/16-12	2.440	0.609
2702X16X16	1.313	1-5/16-12	1.470	0.844	1-5/16-12	2.560	0.844
2702X20X20	1.625	1-5/8-12	1.590	1.078	1-5/8-12	2.650	1.078
2702X24X24	1.875	1-7/8-12	1.780	1.313	1-7/8-12	2.670	1.313

Description: **45° BULKHEAD ELBOW WITH LOCKNUT**
Part No.: **2702-LN**
Stainless Part No.: **2702-LN-SS**

Parker: WNTX-WLN
Weatherhead: F5375LN
Aeroquip: 2042
Gates: /



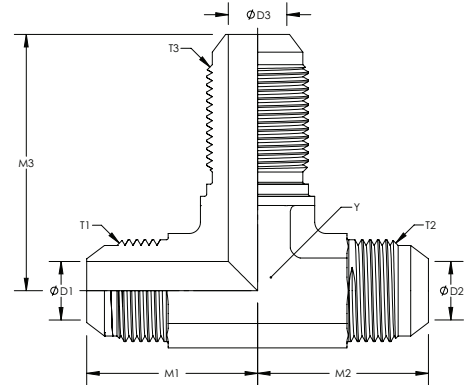
Part #	Y Hex	Y1 Hex	T1	M1	D1	T2	M2	D2
2702-LNX03X03	0.438	0.375	3/8-24	0.690	0.125	3/8-24	1.420	0.125
2702-LNX04X04	0.438	0.688	7/16-20	0.720	0.172	7/16-20	1.530	0.172
2702-LNX05X05	0.563	0.750	1/2-20	0.770	0.234	1/2-20	1.660	0.234
2702-LNX06X06	0.563	0.813	9/16-18	0.830	0.297	9/16-18	1.670	0.297
2702-LNX08X06	0.750	0.813	3/4-16	0.980	0.391	9/16-18	1.830	0.297
2702-LNX08X08	0.750	1.000	3/4-16	0.980	0.391	3/4-16	1.940	0.391
2702-LNX10X10	0.875	1.125	7/8-14	1.110	0.484	7/8-14	2.170	0.484
2702-LNX12X12	1.063	1.375	1-1/16-12	1.280	0.609	1-1/16-12	2.440	0.609
2702-LNX16X16	1.313	1.625	1-5/16-12	1.470	0.844	1-5/16-12	2.560	0.844
2702-LNX20X20	1.625	1.875	1-5/8-12	1.590	1.078	1-5/8-12	2.650	1.078
2702-LNX24X24	1.875	2.125	1-7/8-12	1.780	1.313	1-7/8-12	2.670	1.313

37° FLARE (JIC) FITTINGS

B

Description: **BULKHEAD TUBE TEE**
 Part No.: **2703**
 Stainless Part No.: **2703-SS**

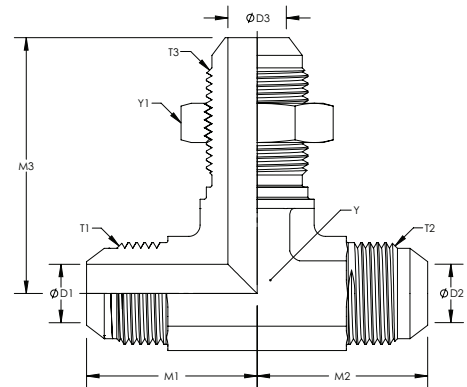
Parker: **WJTX**
 Weatherhead: **F5725**
 Aeroquip: **203002-1**
 Gates: **MJ-MJ-MJBKHD**



Part #	Y Hex	T1	M1	D1	T2	M2	D2	T3	M3	D3
2703X03X03X03	0.438	3/8-24	0.940	0.125	3/8-24	0.940	0.125	3/8-24	1.500	0.125
2703X04X04X04	0.438	7/16-20	0.970	0.172	7/16-20	0.970	0.172	7/16-20	1.590	0.172
2703X04X04X06	0.563	7/16-20	1.080	0.172	7/16-20	1.080	0.172	9/16-18	1.810	0.297
2703X05X05X05	0.563	1/2-20	1.060	0.234	1/2-20	1.060	0.234	1/2-20	1.720	0.234
2703X06X06X06	0.563	9/16-18	1.090	0.297	9/16-18	1.090	0.297	9/16-18	1.810	0.297
2703X08X08X08	0.750	3/4-16	1.360	0.391	3/4-16	1.360	0.391	3/4-16	2.110	0.391
2703X10X10X10	0.875	7/8-14	1.560	0.484	7/8-14	1.560	0.484	7/8-14	2.390	0.484
2703X12X12X12	1.063	1-1/16-12	1.780	0.609	1-1/16-12	1.780	0.609	1-1/16-12	2.670	0.609
2703X16X16X16	1.313	1-5/16-12	1.940	0.844	1-5/16-12	1.940	0.844	1-5/16-12	2.800	0.844
2703X20X20X20	1.625	1-5/8-12	2.170	1.078	1-5/8-12	2.170	1.078	1-5/8-12	3.120	1.078

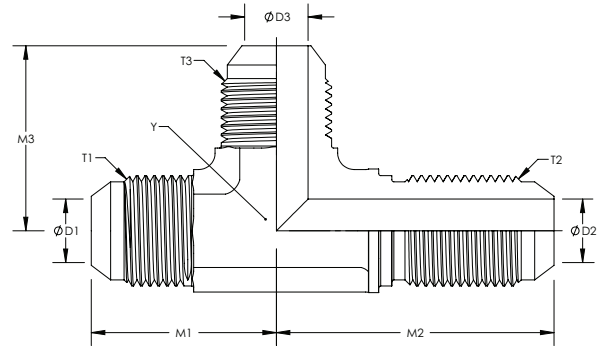
Description: **BULKHEAD TUBE TEE WITH LOCKNUT**
 Part No.: **2703-LN**
 Stainless Part No.: **2703-LN-SS**

Parker: **WJTX-WLN**
 Weatherhead: **F5725LN**
 Aeroquip: **203002**
 Gates: **/**



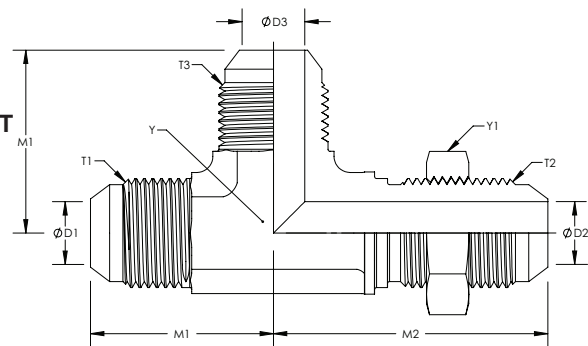
Part #	Y Hex	Y1 Hex	T1	M1	D1	T2	M2	D2	T3	M3	D3
2703-LNX04X04X04	0.438	0.688	7/16-20	0.970	0.172	7/16-20	0.970	0.172	7/16-20	1.590	0.172
2703-LNX04X04X06	0.563	0.813	7/16-20	1.080	0.172	7/16-20	1.080	0.172	9/16-18	1.810	0.297
2703-LNX05X05X05	0.563	0.750	1/2-20	1.060	0.234	1/2-20	1.060	0.234	1/2-20	1.720	0.234
2703-LNX06X06X06	0.563	0.813	9/16-18	1.090	0.297	9/16-18	1.090	0.297	9/16-18	1.810	0.297
2703-LNX08X08X08	0.750	1.000	3/4-16	1.360	0.391	3/4-16	1.360	0.391	3/4-16	2.110	0.391
2703-LNX10X10X10	0.875	1.125	7/8-14	1.560	0.484	7/8-14	1.560	0.484	7/8-14	2.390	0.484
2703-LNX12X12X12	1.063	1.375	1-1/16-12	1.780	0.609	1-1/16-12	1.780	0.609	1-1/16-12	2.670	0.609
2703-LNX16X16X16	1.313	1.625	1-5/16-12	1.940	0.844	1-5/16-12	1.940	0.844	1-5/16-12	2.800	0.844
2703-LNX20X20X20	1.625	1.875	1-5/8-12	2.170	1.078	1-5/8-12	2.170	1.078	1-5/8-12	3.120	1.078

Description: **BULKHEAD RUN TEE**
 Part No.: **2704**
 Stainless Part No.: **2704-SS**
 Parker: **WJJTX**
 Weatherhead: **F5726**
 Aeroquip: **FF1065**
 Gates: **MJ-MJBKHD-MJ**



Part #	Y Hex	T1	M1	D1	T2	M2	D2	T3	M3	D3
2704X03X03X03	0.438	3/8-24	0.940	0.125	3/8-24	1.500	0.125	3/8-24	0.940	0.125
2704X04X04X04	0.438	7/16-20	0.970	0.172	7/16-20	1.590	0.172	7/16-20	0.970	0.172
2704X04X06X04	0.563	7/16-20	1.080	0.172	9/16-18	1.810	0.297	7/16-20	1.080	0.172
2704X06X06X06	0.563	9/16-18	1.090	0.297	9/16-18	1.810	0.297	9/16-18	1.090	0.297
2704X08X08X08	0.750	3/4-16	1.360	0.391	3/4-16	2.110	0.391	3/4-16	1.360	0.391
2704X08X10X08	0.875	3/4-16	1.440	0.391	7/8-14	2.390	0.484	3/4-16	1.440	0.391
2704X10X08X08	0.875	7/8-14	1.560	0.484	3/4-16	2.270	0.391	3/4-16	1.440	0.391
2704X10X10X10	0.875	7/8-14	1.560	0.484	7/8-14	2.390	0.484	7/8-14	1.560	0.484
2704X12X12X12	1.063	1-1/16-12	1.780	0.609	1-1/16-12	2.670	0.609	1-1/16-12	1.780	0.609
2704X16X16X16	1.313	1-5/16-12	1.940	0.844	1-5/16-12	2.800	0.844	1-5/16-12	1.940	0.844
2704X20X20X20	1.625	1-5/8-12	2.170	1.078	1-5/8-12	3.120	1.078	1-5/8-12	2.170	1.078

Description: **BULKHEAD RUN TEE WITH LOCKNUT**
 Part No.: **2704-LN**
 Stainless Part No.: **2704-LN-SS**
 Parker: **WJJTX-WLN**
 Weatherhead: **F5726LN**
 Aeroquip: **203008**
 Gates: **/**

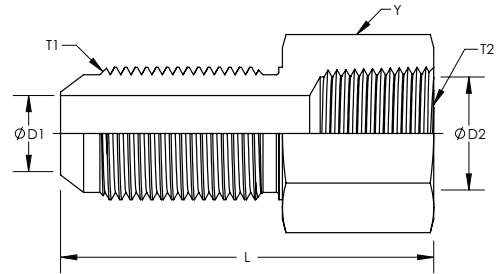


Part #	Y Hex	Y1 Hex	T1	M1	D1	T2	M2	D2	T3	M3	D3
2704-LNX04X04X04	0.438	0.688	7/16-20	0.970	0.172	7/16-20	1.590	0.172	7/16-20	0.970	0.172
2704-LNX04X06X04	0.563	0.813	7/16-20	1.080	0.172	9/16-18	1.810	0.297	7/16-20	1.080	0.172
2704-LNX06X06X06	0.563	0.813	9/16-18	1.090	0.297	9/16-18	1.810	0.297	9/16-18	1.090	0.297
2704-LNX08X08X08	0.750	1.000	3/4-16	1.360	0.391	3/4-16	2.110	0.391	3/4-16	1.360	0.391
2704-LNX08X10X08	0.875	1.125	3/4-16	1.440	0.391	7/8-14	2.390	0.484	3/4-16	1.440	0.391
2704-LNX10X08X08	0.875	1.000	7/8-14	1.560	0.484	3/4-16	2.270	0.391	3/4-16	1.440	0.391
2704-LNX10X10X10	0.875	1.125	7/8-14	1.560	0.484	7/8-14	2.390	0.484	7/8-14	1.560	0.484
2704-LNX12X12X12	1.063	1.375	1-1/16-12	1.780	0.609	1-1/16-12	2.670	0.609	1-1/16-12	1.780	0.609
2704-LNX16X16X16	1.313	1.625	1-5/16-12	1.940	0.844	1-5/16-12	2.800	0.844	1-5/16-12	1.940	0.844
2704-LNX20X20X20	1.625	1.875	1-5/8-12	2.170	1.078	1-5/8-12	3.120	1.078	1-5/8-12	2.170	1.078

37° FLARE (JIC) FITTINGS

Description: **FEMALE BULKHEAD CONNECTOR**
 Part No.: **2705**
 Stainless Part No.: **2705-SS**

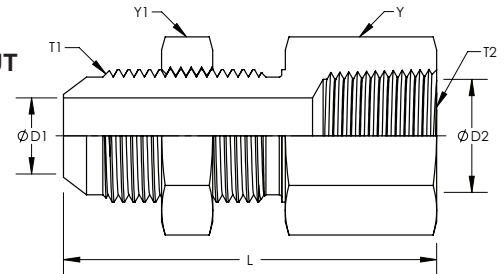
Parker: **WGTX**
 Weatherhead: **5275**
 Aeroquip: **/**
 Gates: **/**



Part #	Y Hex	T1	D1	T2	D2	L
2705X02X04	0.750	5/16-24	0.063	1/4-18	0.438	2.010
2705X04X02	0.688	7/16-20	0.172	1/8-27	0.332	1.840
2705X04X04	0.750	7/16-20	0.172	1/4-18	0.438	2.090
2705X04X06	0.875	7/16-20	0.172	3/8-18	0.563	2.140
2705X06X04	0.813	9/16-18	0.297	1/4-18	0.438	2.170
2705X06X06	0.875	9/16-18	0.297	3/8-18	0.563	2.230
2705X08X06	1.000	3/4-16	0.391	3/8-18	0.563	2.390
2705X08X08	1.125	3/4-16	0.391	1/2-14	0.703	2.620
2705X10X08	1.125	7/8-14	0.484	1/2-14	0.703	2.760
2705X12X08	1.375	1-1/16-12	0.609	1/2-14	0.703	2.910
2705X12X12	1.375	1-1/16-12	0.609	3/4-14	0.906	2.990
2705X16X16	1.625	1-5/16-12	0.844	1-11-1/2	1.141	3.240
2705X20X20	2.000	1-5/8-12	1.078	1-1/4-11-1/2	1.484	3.340
2705X24X24	2.375	1-7/8-12	1.313	1-1/2-11-1/2	1.744	3.400

Description: **FEMALE BULKHEAD CONNECTOR WITH LOCKNUT**
 Part No.: **2705-LN**
 Stainless Part No.: **2705-LN-SS**

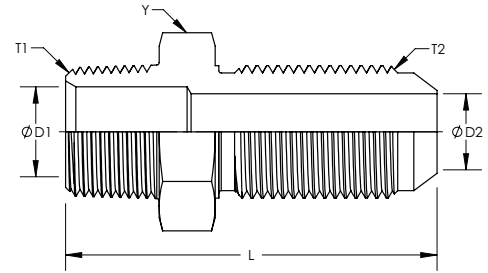
Parker: **WGTX-WLN**
 Weatherhead: **5275LN**
 Aeroquip: **2239**
 Gates: **/**



Part #	Y Hex	Y1 Hex	T1	D1	T2	D2	L
2705-LNX02X04	0.750	0.563	5/16-24	0.063	1/4-18	0.438	2.010
2705-LNX04X02	0.688	0.688	7/16-20	0.172	1/8-27	0.332	1.840
2705-LNX04X04	0.750	0.688	7/16-20	0.172	1/4-18	0.438	2.090
2705-LNX04X06	0.875	0.688	7/16-20	0.172	3/8-18	0.563	2.140
2705-LNX06X04	0.813	0.813	9/16-18	0.297	1/4-18	0.438	2.170
2705-LNX06X06	0.875	0.813	9/16-18	0.297	3/8-18	0.563	2.230
2705-LNX08X06	1.000	1.000	3/4-16	0.391	3/8-18	0.563	2.390
2705-LNX08X08	1.125	1.000	3/4-16	0.391	1/2-14	0.703	2.620
2705-LNX10X08	1.125	1.125	7/8-14	0.484	1/2-14	0.703	2.760
2705-LNX12X12	1.375	1.375	1-1/16-12	0.609	3/4-14	0.906	2.990
2705-LNX16X16	1.625	1.625	1-5/16-12	0.844	1-11-1/2	1.141	3.240
2705-LNX20X20	2.000	1.875	1-5/8-12	1.078	1-1/4-11-1/2	1.484	3.340

Description: **MALE JIC TO MALE PIPE BULKHEAD**
 Part No.: **2706**
 Stainless Part No.: **2706-SS**

Parker: WFTX
 Weatherhead: 2706
 Aeroquip: /
 Gates: MJBKHD-MP

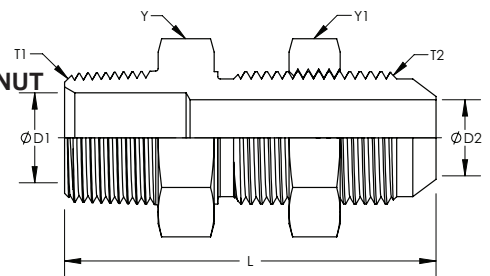


B

Part #	Y Hex	T1	D1	T2	D2	L
2706X02X04	0.688	1/8-27	0.188	7/16-20	0.172	1.900
2706X04X04	0.688	1/4-18	0.281	7/16-20	0.172	2.080
2706X06X06	0.813	3/8-18	0.406	9/16-18	0.297	2.184
2706X08X08	1.000	1/2-14	0.531	3/4-16	0.391	2.560
2706X12X12	1.375	3/4-14	0.719	1-1/16-12	0.609	2.976
2706X16X16	1.625	1-11-1/2	0.938	1-5/16-12	0.844	3.169
2706X24X24	2.125	1-1/2-11-1/2	1.500	1-7/8-12	1.313	3.437

Description: **MALE JIC TO MALE PIPE BULKHEAD WITH LOCKNUT**
 Part No.: **2706-LN**
 Stainless Part No.: **2706-LN-SS**

Parker: WFTX-WLN
 Weatherhead: 2706LN
 Aeroquip: 2240
 Gates: /



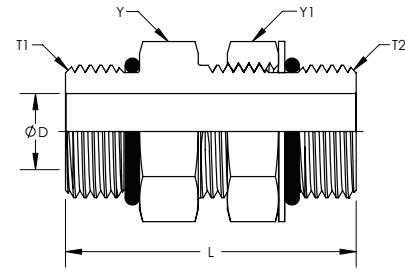
Part #	Y Hex	Y1 Hex	T1	D1	T2	D2	L
2706-LNX04X04	0.688	0.688	1/4-18	0.281	7/16-20	0.172	2.080
2706-LNX06X06	0.813	0.813	3/8-18	0.406	9/16-18	0.297	2.184
2706-LNX08X08	1.000	1.000	1/2-14	0.531	3/4-16	0.391	2.560
2706-LNX12X12	1.375	1.375	3/4-14	0.719	1-1/16-12	0.609	2.976
2706-LNX16X16	1.625	1.625	1-11-1/2	0.938	1-5/16-12	0.844	3.169

37° FLARE (JIC) FITTINGS

B

Description: **ADJUSTABLE UNION**
 Part No.: **3474**
 Stainless Part No.: **3474-SS**

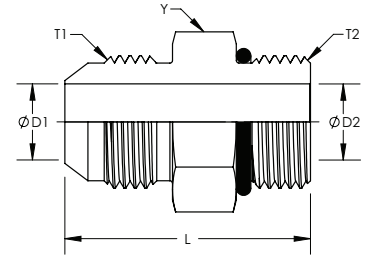
Parker: /
 Weatherhead: 5314
 Aeroquip: /
 Gates: /



Part #	Y Hex	Y1 Hex	T1	D	T2	L
3474X04X04	0.563	0.563	7/16-20	0.172	7/16-20	1.470
3474X06X06	0.688	0.688	9/16-18	0.297	9/16-18	1.560
3474X08X08	0.875	0.875	3/4-16	0.391	3/4-16	1.760
3474X10X10	1.000	1.000	7/8-14	0.484	7/8-14	2.040
3474X12X12	1.250	1.250	1-1/16-12	0.609	1 1/16-12	2.330
3474X16X16	1.500	1.500	1-5/16-12	0.844	1 5/16-12	2.360
3474X20X20	1.875	1.875	1-5/8-12	1.078	1 5/8-12	2.310
3474X24X24	2.125	2.125	1-7/8-12	1.313	1-7/8-12	2.420
3474X32X32	2.750	2.750	2-1/2-12	1.781	2-1/2-12	2.590

Description: **STRAIGHT THREAD CONNECTOR**
 Part No.: **6400**
 Stainless Part No.: **6400-SS**

Parker: **F5OX**
 Weatherhead: **5315**
 Aeroquip: **202702-[R]**
 Gates: **MB-MJ**



B

Part #	Y Hex	T1	D1	T2	D2	L
6400X02X02	0.438	5/16-24	0.063	5/16-24	0.063	1.060
6400X03X03	0.500	3/8-24	0.125	3/8-24	0.125	1.100
6400X04X02	0.563	7/16-20	0.172	5/16-24	0.063	1.170
6400X04X03	0.563	7/16-20	0.172	3/8-24	0.125	1.170
6400X04X04	0.563	7/16-20	0.172	7/16-20	0.172	1.230
6400X04X05	0.625	7/16-20	0.172	1/2-20	0.234	1.230
6400X04X06	0.688	7/16-20	0.172	9/16-18	0.297	1.290
6400X04X08	0.875	7/16-20	0.172	3/4-16	0.391	1.370
6400X04X10	1.000	7/16-20	0.172	7/8-14	0.484	1.490
6400X04X12	1.250	7/16-20	0.172	1-1/16-12	0.609	1.660
6400X05X04	0.563	1/2-20	0.234	7/16-20	0.172	1.230
6400X05X05	0.625	1/2-20	0.234	1/2-20	0.234	1.230
6400X05X06	0.688	1/2-20	0.234	9/16-18	0.297	1.290
6400X06X04	0.625	9/16-18	0.297	7/16-20	0.172	1.270
6400X06X05	0.625	9/16-18	0.297	1/2-20	0.234	1.270
6400X06X06	0.688	9/16-18	0.297	9/16-18	0.297	1.300
6400X06X08	0.875	9/16-18	0.297	3/4-16	0.391	1.380
6400X06X10	1.000	9/16-18	0.297	7/8-14	0.484	1.500
6400X06X12	1.250	9/16-18	0.297	1-1/16-12	0.609	1.660
6400X08X04	0.813	3/4-16	0.391	7/16-20	0.172	1.490
6400X08X06	0.813	3/4-16	0.391	9/16-18	0.297	1.440
6400X08X08	0.875	3/4-16	0.391	3/4-16	0.391	1.480
6400X08X10	1.000	3/4-16	0.391	7/8-14	0.484	1.600
6400X08X12	1.250	3/4-16	0.391	1-1/16-12	0.609	1.760
6400X08X16	1.500	3/4-16	0.391	1-5/16-12	0.844	1.790
6400X08X20	1.875	3/4-16	0.391	1-5/8-12	1.078	1.870
6400X10X04	1.000	7/8-14	0.484	7/16-20	0.172	1.650
6400X10X06	0.938	7/8-14	0.484	9/16-18	0.297	1.710
6400X10X08	0.938	7/8-14	0.484	3/4-16	0.391	1.640
6400X10X10	1.000	7/8-14	0.484	7/8-14	0.484	1.700
6400X10X12	1.250	7/8-14	0.484	1-1/16-12	0.609	1.860
6400X10X16	1.500	7/8-14	0.484	1-5/16-12	0.844	1.890
6400X12X06	1.125	1-1/16-12	0.609	9/16-18	0.297	1.860
6400X12X08	1.125	1-1/16-12	0.609	3/4-16	0.391	1.940
6400X12X10	1.125	1-1/16-12	0.609	7/8-14	0.484	1.880
6400X12X12	1.250	1-1/16-12	0.609	1-1/16-12	0.609	1.970
6400X12X14	1.375	1-1/16-12	0.609	1-3/16-12	0.719	1.960
6400X12X16	1.500	1-1/16-12	0.609	1-5/16-12	0.844	1.990
6400X12X20	1.875	1-1/16-12	0.609	1-5/8-12	1.078	2.080
6400X14X12	1.250	1-3/16-12	0.719	1-1/16-12	0.609	1.990

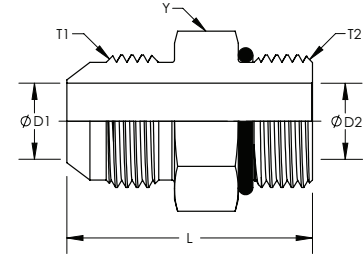
Continued on page 84

37° FLARE (JIC) FITTINGS

Continued from page 83

Description: **STRAIGHT THREAD CONNECTOR**
 Part No.: **6400**
 Stainless Part No.: **6400-SS**

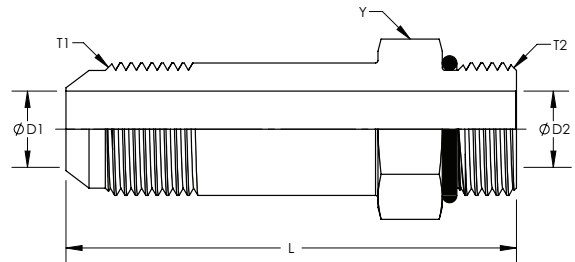
Parker: F5OX
 Weatherhead: 5315
 Aeroquip: 202702-[R]
 Gates: MB-MJ



Part #	Y Hex	T1	D1	T2	D2	L
6400X14X14	1.375	1-3/16-12	0.719	1-3/16-12	0.719	1.990
6400X14X16	1.500	1-3/16-12	0.719	1-5/16-12	0.844	2.020
6400X16X08	1.375	1-5/16-12	0.844	3/4-16	0.391	2.010
6400X16X10	1.375	1-5/16-12	0.844	7/8-14	0.484	2.070
6400X16X12	1.375	1-5/16-12	0.844	1-1/16-12	0.609	2.040
6400X16X14	1.375	1-5/16-12	0.844	1-3/16-12	0.719	2.040
6400X16X16	1.500	1-5/16-12	0.844	1-5/16-12	0.844	2.040
6400X16X20	1.875	1-5/16-12	0.844	1-5/8-12	1.078	2.120
6400X16X24	2.125	1-5/16-12	0.844	1-7/8-12	1.313	2.200
6400X20X16	1.688	1-5/8-12	1.078	1-5/16-12	0.844	2.330
6400X20X20	1.875	1-5/8-12	1.078	1-5/8-12	1.078	2.170
6400X20X24	2.125	1-5/8-12	1.078	1-7/8-12	1.313	2.240
6400X24X16	2.750	1-7/8-12	1.313	1-5/16-12	0.844	2.530
6400X24X20	2.125	1-7/8-12	1.313	1-5/8-12	1.078	2.530
6400X24X24	2.125	1-7/8-12	1.313	1-7/8-12	1.313	2.370
6400X24X32	2.750	1-7/8-12	1.313	2-1/2-12	1.781	2.530
6400X32X20	2.625	2-1/2-12	1.781	1-5/8-12	1.078	2.940
6400X32X24	2.750	2-1/2-12	1.781	1-7/8-12	1.313	2.940
6400X32X32	2.750	2-1/2-12	1.781	2-1/2-12	1.781	2.780

Description: **STRAIGHT THREAD CONNECTOR LONG**
 Part No.: **6400-L**
 Stainless Part No.: **6400-L-SS**

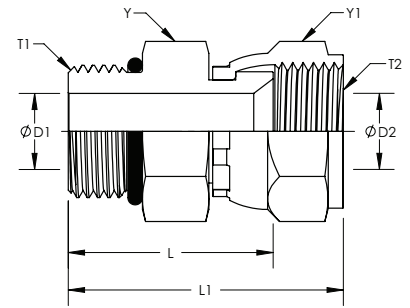
Parker: FF5O-X
 Weatherhead: 5316
 Aeroquip: 202713-[R]
 Gates: /



Part #	Y Hex	T1	D1	T2	D2	L
6400-LX04X04	0.563	7/16-20	0.172	7/16-20	0.172	2.080
6400-LX05X05	0.625	1/2-20	0.234	1/2-20	0.234	2.140
6400-LX06X06	0.688	9/16-18	0.297	9/16-18	0.297	2.310
6400-LX06X08	0.875	9/16-18	0.297	3/4-16	0.391	2.600
6400-LX08X08	0.875	3/4-16	0.391	3/4-16	0.391	2.700
6400-LX08X10	1.000	3/4-16	0.391	7/8-14	0.484	2.940
6400-LX10X10	1.000	7/8-14	0.484	7/8-14	0.484	3.040
6400-LX12X12	1.250	1-1/16-12	0.609	1-1/16-12	0.609	3.610
6400-LX14X14	1.375	1-3/16-12	0.719	1-3/16-12	0.719	3.800
6400-LX16X16	1.500	1-5/16-12	0.844	1-5/16-12	0.844	3.980
6400-LX20X16	1.875	1-5/8-12	1.078	1-5/16-12	0.844	4.690
6400-LX20X20	1.875	1-5/8-12	1.078	1-5/8-12	1.078	4.690

Description: **STRAIGHT THREAD O RING TO FEMALE 37° JIC SWIVEL**
 Part No.: **6402**
 Stainless Part No.: **6402-SS**

Parker: F65OX
 Weatherhead: 9316
 Aeroquip: 2266
 Gates: /

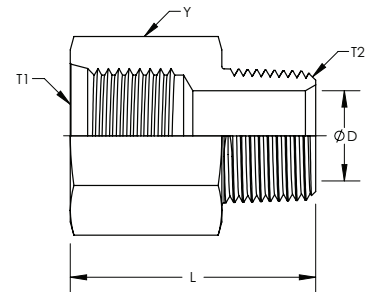


B

Part #	Y Hex	Y1 Hex	T1	D1	T2	D2	L	L1
6402X04X04	0.563	0.563	7/16-20	0.172	7/16-20	0.172	1.020	1.310
6402X04X06	0.563	0.688	7/16-20	0.172	9/16-18	0.297	1.090	1.420
6402X06X06	0.688	0.688	9/16-18	0.297	9/16-18	0.297	1.150	1.480
6402X06X08	0.813	0.875	9/16-18	0.297	3/4-16	0.391	1.200	1.580
6402X08X08	0.875	0.875	3/4-16	0.391	3/4-16	0.391	1.280	1.650
6402X10X10	1.000	1.000	7/8-14	0.484	7/8-14	0.484	1.430	1.880
6402X12X12	1.250	1.250	1-1/16-12	0.609	1-1/16-12	0.609	1.630	2.150
6402X16X16	1.500	1.500	1-5/16-12	0.844	1-5/16-12	0.844	1.720	2.270
6402X20X20	1.875	2.000	1-5/8-12	1.078	1-5/8-12	1.078	1.850	2.400
6402X24X24	2.125	2.250	1-7/8-12	1.313	1-7/8-12	1.313	1.990	2.670
6402X32X32	2.750	2.875	2-1/2-12	1.781	2-1/2-12	1.781	2.180	3.070

Description: **FEMALE STRAIGHT TO MALE PIPE ADAPTER**
 Part No.: **6404**
 Stainless Part No.: **6404-SS**

Parker: FHG5
 Weatherhead: /
 Aeroquip: 2246-[R]
 Gates: FB-MP

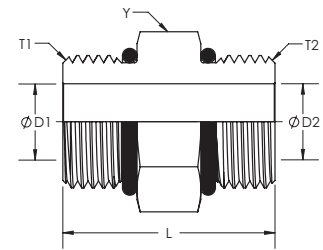


Part #	Y Hex	T1	D	T2	L
6404X04X02	0.688	7/16-20	0.188	1/8-27	1.130
6404X04X04	0.688	7/16-20	0.281	1/4-18	1.320
6404X05X02	0.750	1/2-20	0.188	1/8-27	1.370
6404X06X04	0.875	9/16-18	0.281	1/4-18	1.590
6404X06X06	0.875	9/16-18	0.406	3/8-18	1.400
6404X06X08	0.875	9/16-18	0.531	1/2-14	1.450
6404X08X06	1.000	3/4-16	0.406	3/8-18	1.500
6404X08X08	1.000	3/4-16	0.531	1/2-14	1.690
6404X10X08	1.125	7/8-14	0.531	1/2-14	1.820
6404X12X12	1.375	1-1/16-12	0.719	3/4-14	1.960
6404X16X16	1.625	1-5/16-12	0.938	1-11-1/2	2.220
6404X32X32	2.500	2-1/2-12	2.220	1.781	2-1/2-12

37° FLARE (JIC) FITTINGS

Description: **MALE STRAIGHT THREAD TO MALE STRAIGHT THREAD**
 Part No.: **6464**
 Stainless Part No.: **6464-SS**

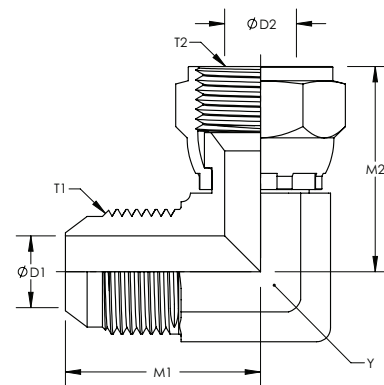
Parker: /
 Weatherhead: 6464
 Aeroquip: /
 Gates: /



Part #	Y Hex	T1	D1	T2	D2	L
6464X04X04	0.563	7/16-20	0.172	7/16-20	0.172	1.030
6464X06X06	0.688	9/16-18	0.297	9/16-18	0.297	1.130
6464X08X08	0.875	3/4-16	0.391	3/4-16	0.391	1.250
6464X10X10	1.000	7/8-14	0.484	7/8-14	0.484	1.430
6464X16X16	1.500	1-5/16-12	0.844	1-5/16-12	0.844	1.720

Description: **90° SWIVEL ELBOW**
 Part No.: **6500**
 Stainless Part No.: **6500-SS**

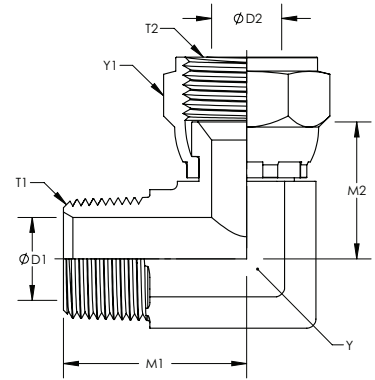
Parker: C6X
 Weatherhead: F5506
 Aeroquip: 2071-[R]
 Gates: MJ-FJX90



Part #	Y Hex	T1	M1	D1	T2	M2	D2
6500X02X02	0.438	5/16-24	0.770	0.063	5/16-24	0.970	0.063
6500X03X03	0.438	3/8-24	0.830	0.125	3/8-24	1.000	0.125
6500X04X04	0.438	7/16-20	0.890	0.172	7/16-20	1.000	0.172
6500X04X06	0.563	7/16-20	1.050	0.172	9/16-18	1.250	0.297
6500X05X05	0.563	1/2-20	0.950	0.234	1/2-20	1.060	0.234
6500X06X04	0.563	9/16-18	1.060	0.297	7/16-20	1.240	0.172
6500X06X06	0.563	9/16-18	1.060	0.297	9/16-18	1.250	0.297
6500X06X08	0.750	9/16-18	1.140	0.297	3/4-16	1.380	0.391
6500X08X06	0.750	3/4-16	1.250	0.391	9/16-18	1.290	0.297
6500X08X08	0.750	3/4-16	1.250	0.391	3/4-16	1.380	0.391
6500X08X10	0.875	3/4-16	1.330	0.391	7/8-14	1.620	0.484
6500X08X12	1.063	3/4-16	1.420	0.391	1-1/16-12	1.750	0.609
6500X10X08	0.875	7/8-14	1.450	0.484	3/4-16	1.520	0.391
6500X10X10	0.875	7/8-14	1.450	0.484	7/8-14	1.620	0.484
6500X10X12	1.063	7/8-14	1.540	0.484	1-1/16-12	1.750	0.609
6500X12X08	1.063	1-1/16-12	1.660	0.609	3/4-16	1.550	0.391
6500X12X10	1.063	1-1/16-12	1.660	0.609	7/8-14	1.630	0.484
6500X12X12	1.063	1-1/16-12	1.660	0.609	1-1/16-12	1.750	0.609
6500X12X16	1.313	1-1/16-12	1.760	0.609	1-5/16-12	2.000	0.844
6500X14X14	1.313	1-3/16-12	1.800	0.719	1-3/16-12	1.780	0.719
6500X16X12	1.313	1-5/16-12	1.810	0.844	1-1/16-12	1.910	0.609
6500X16X16	1.313	1-5/16-12	1.810	0.844	1-5/16-12	2.000	0.844
6500X20X20	1.625	1-5/8-12	2.060	1.078	1-5/8-12	2.310	1.078
6500X24X24	1.875	1-7/8-12	2.330	1.313	1-7/8-12	2.590	1.313
6500X32X32	2.500	2-1/2-12	3.060	1.781	2-1/2-12	3.380	1.781

Description: **90° MALE PIPE TO FEMALE 37° JIC SWIVEL**
 Part No.: **6501**
 Stainless Part No.: **6501-SS**

Parker: F50F
 Weatherhead: 9406
 Aeroquip: /
 Gates: /



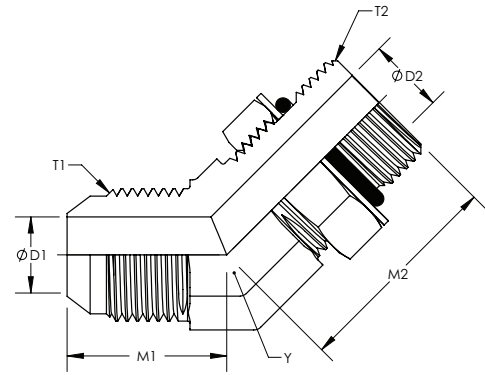
B

Part #	Y Hex	Y1 Hex	T1	M1	D1	T2	M2	D2
6501X02X04	0.438	0.563	1/8-27	0.780	0.188	7/16-20	0.660	0.172
6501X04X04	0.563	0.563	1/4-18	1.090	0.281	7/16-20	0.800	0.172
6501X04X06	0.563	0.688	1/4-18	1.090	0.281	9/16-18	0.875	0.297
6501X06X04	0.750	0.563	3/8-18	1.220	0.406	7/16-20	0.830	0.172
6501X06X06	0.750	0.688	3/8-18	1.220	0.406	9/16-18	0.900	0.297
6501X06X08	0.750	0.875	3/8-18	1.220	0.406	3/4-16	0.958	0.391
6501X08X06	0.875	0.688	1/2-14	1.470	0.531	9/16-18	1.045	0.297
6501X08X08	0.875	0.875	1/2-14	1.470	0.531	3/4-16	1.090	0.391
6501X08X10	0.875	1.000	1/2-14	1.470	0.531	7/8-14	1.120	0.484
6501X08X12	1.063	1.250	1/2-14	1.590	0.531	1-1/16-12	1.180	0.609
6501X12X08	1.063	0.875	3/4-14	1.590	0.719	3/4-16	1.120	0.391
6501X12X12	1.063	1.250	3/4-14	1.590	0.719	1-1/16-12	1.180	0.609
6501X16X16	1.313	1.500	1-11-1/2	1.970	0.938	1-5/16-12	1.410	0.844
6501X20X20	1.625	2.000	1-1/4-11-1/2	2.380	1.250	1-5/8-12	1.670	1.078
6501X24X24	1.875	2.250	1-1/2-11-1/2	2.640	1.500	1-7/8-12	1.856	1.313
6501X32X32	2.500	2.875	2-11-1/2	3.000	1.938	2-1/2-12	2.440	1.781

37° FLARE (JIC) FITTINGS

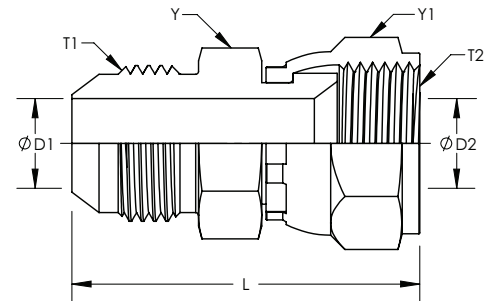
B

Description: **45° ADJUSTABLE ELBOW**
 Part No.: **6502**
 Stainless Part No.: **6502-SS**
 Parker: **V6X**
 Weatherhead: **F5356**
 Aeroquip: **2070-[R]**
 Gates: **MJ-FJX45**



Part #	Y Hex	T1	M1	D1	T2	M2	D2
6502X02X02	0.438	5/16-24	0.690	0.063	5/16-24	0.940	0.063
6502X04X04	0.438	7/16-20	0.720	0.172	7/16-20	0.940	0.172
6502X05X05	0.563	1/2-20	0.770	0.234	1/2-20	1.000	0.234
6502X06X06	0.563	9/16-18	0.830	0.297	9/16-18	1.120	0.297
6502X08X08	0.750	3/4-16	0.980	0.391	3/4-16	1.280	0.391
6502X10X10	0.875	7/8-14	1.110	0.484	7/8-14	1.440	0.484
6502X12X12	1.063	1-1/16-12	1.280	0.609	1-1/16-12	1.500	0.609
6502X14X14	1.313	1-3/16-12	1.450	0.719	1-3/16-12	1.620	0.719
6502X16X16	1.313	1-5/16-12	1.470	0.844	1-5/16-12	1.750	0.844
6502X20X20	1.625	1-5/8-12	1.590	1.078	1-5/8-12	2.030	1.078
6502X24X24	1.875	1-7/8-12	1.780	1.313	1-7/8-12	2.250	1.313
6502X32X32	2.500	2-1/2-12	2.220	1.781	2-1/2-12	2.910	1.781

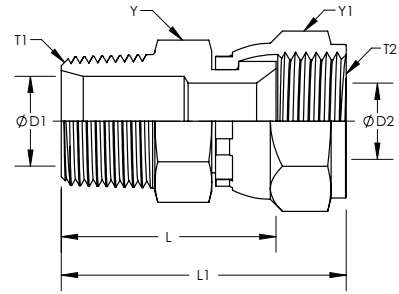
Description: **FEMALE SWIVEL TO MALE JIC**
 Part No.: **6504**
 Stainless Part No.: **6504-SS**
 Parker: **XHX6**
 Weatherhead: **6504**
 Aeroquip: **/**
 Gates: **MJ-FJX**



PART #	Y HEX	Y1 HEX	T1	D1	T2	D2	L
6504X04X04	0.500	0.563	7/16-20	0.172	7/16-20	0.172	1.530
6504X06X06	0.625	0.688	9/16-18	0.297	9/16-18	0.297	1.590
6504X08X08	0.813	0.875	3/4-16	0.391	3/4-16	0.391	1.830
6504X10X10	0.938	1.000	7/8-14	0.484	7/8-14	0.484	2.170
6504X12X12	1.125	1.250	1-1/16-12	0.609	1-1/16-12	0.609	2.370
6504X16X16	1.375	1.500	1-5/16-12	0.844	1-5/16-12	0.844	2.495
6504X20X20	1.688	2.000	1-5/8-12	1.078	1-5/8-12	1.078	2.760

Description: **MALE PIPE TO FEMALE 37° JIC SWIVEL**
 Part No.: **6505**
 Stainless Part No.: **6505-SS**

Parker: F6X
 Weatherhead: 9100
 Aeroquip: 2018
 Gates: FJX-MP

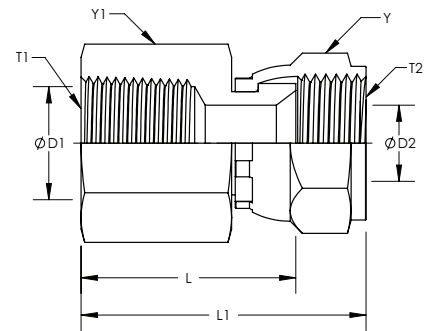


B

Part #	Y Hex	Y1 Hex	T1	D1	T2	D2	L	L1
6505X02X04	0.500	0.563	1/8-27	0.188	7/16-20	0.172	0.990	1.340
6505X04X04	0.563	0.563	1/4-18	0.281	7/16-20	0.172	1.200	1.550
6505X04X05	0.563	0.625	1/4-18	0.281	1/2-20	0.234	1.260	1.640
6505X04X06	0.563	0.688	1/4-18	0.281	9/16-18	0.297	1.300	1.680
6505X06X06	0.750	0.688	3/8-18	0.406	9/16-18	0.297	1.260	1.640
6505X06X08	0.875	0.875	3/8-18	0.406	3/4-16	0.391	1.310	1.740
6505X08X08	0.875	0.875	1/2-14	0.531	3/4-16	0.391	1.560	1.990
6505X08X10	1.000	1.000	1/2-14	0.531	7/8-14	0.484	1.600	2.100
6505X08X12	1.000	1.250	1/2-14	0.531	1-1/16-12	0.609	1.580	2.150
6505X12X12	1.125	1.250	3/4-14	0.719	1-1/16-12	0.609	1.720	2.290
6505X16X16	1.375	1.500	1-11-1/2	0.938	1-5/16-12	0.844	1.970	2.570
6505X20X20	1.688	2.000	1-1/4-11-1/2	1.250	1-5/8-12	1.078	2.210	2.000
6505X24X24	2.000	2.250	1-1/2-11-1/2	1.500	1-7/8-12	1.313	2.270	2.990

Description: **FEMALE PIPE TO FEMALE 37° JIC SWIVEL**
 Part No.: **6506**
 Stainless Part No.: **6506-SS**

Parker: G6X
 Weatherhead: 9256
 Aeroquip: 2242
 Gates: FJX-FP

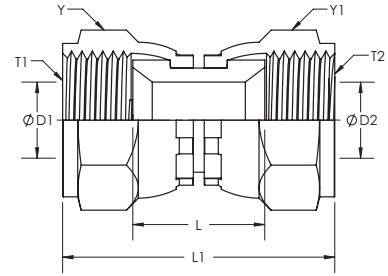


Part #	Y Hex	Y1 Hex	T1	D1	T2	D2	L	L1
6506X04X04	0.563	0.750	1/4-18	0.438	7/16-20	0.172	1.170	1.520
6506X04X06	0.688	0.750	1/4-18	0.438	9/16-18	0.297	1.260	1.640
6506X06X06	0.688	0.875	3/8-18	0.563	9/16-18	0.297	1.320	1.700
6506X06X08	0.875	0.875	3/8-18	0.563	3/4-16	0.391	1.370	1.800
6506X08X06	0.688	1.125	1/2-14	0.703	9/16-18	0.297	1.540	1.920
6506X08X08	0.875	1.125	1/2-14	0.703	3/4-16	0.391	1.590	2.020
6506X08X10	1.000	1.125	1/2-14	0.703	7/8-14	0.484	1.620	2.120
6506X12X10	1.000	1.375	3/4-14	0.906	7/8-14	0.484	1.680	2.180
6506X12X12	1.250	1.375	3/4-14	0.906	1-1/16-12	0.609	1.720	2.290
6506X16X16	1.500	1.625	1-11-1/2	1.141	1-5/16-12	0.844	2.030	2.630
6506X20X20	2.000	2.000	1-1/4-11-1/2	1.484	1-5/8-12	1.078	2.200	2.840

37° FLARE (JIC) FITTINGS

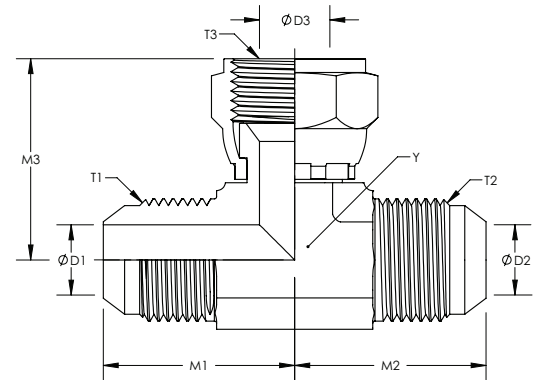
B

Description: **JIC SWIVEL UNION - STRAIGHT**
 Part No.: **6565**
 Stainless Part No.: **6565-SS**
 Parker: **HX6**
 Weatherhead: **6565**
 Aeroquip: **/**
 Gates: **/**



Part #	Y Hex	Y1 Hex	T1	D1	T2	D2	L	L1
6565X04X04	0.562	0.562	7/16-20	0.172	7/16-20	0.172	0.690	1.390
6565X06X06	0.688	0.688	9/16-18	0.297	9/16-18	0.297	0.840	1.600
6565X08X08	0.875	0.875	3/4-16	0.391	3/4-16	0.391	0.940	1.800
6565X10X10	1.000	1.000	7/8-14	0.000	7/8-14	0.000	2.000	1.000
6565X12X12	1.250	1.250	1-1/16-12	0.609	1-1/16-12	0.609	1.070	2.210
6565X16X16	1.500	1.500	1-5/16-12	0.844	1-5/16-12	0.844	1.190	2.390
6565X20X20	2.000	2.000	1-5/8-12	1.078	1-5/8-12	1.078	1.280	2.560
6565X24X24	2.250	2.250	1-7/8-12	1.313	1-7/8-12	1.313	1.420	2.860

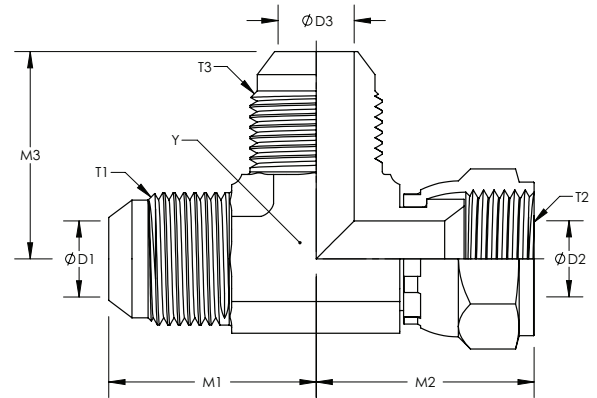
Description: **SWIVEL BRANCH TEE**
 Part No.: **6600**
 Stainless Part No.: **6600-SS**
 Parker: **S6X**
 Weatherhead: **F5707**
 Aeroquip: **203101-[R]**
 Gates: **MJ-MJ-FJX**



Part #	Y Hex	T1	M1	D1	T2	M2	D2	T3	M3	D3
6600X03X03X03	0.438	3/8-24	0.830	0.125	3/8-24	0.830	0.125	3/8-24	1.000	0.125
6600X04X04X04	0.438	7/16-20	0.890	0.172	7/16-20	0.890	0.172	7/16-20	1.000	0.172
6600X05X05X05	0.563	1/2-20	0.950	0.234	1/2-20	0.950	0.234	1/2-20	1.060	0.234
6600X06X06X06	0.563	9/16-18	1.060	0.297	9/16-18	1.060	0.297	9/16-18	1.250	0.297
6600X06X06X08	0.750	9/16-18	1.140	0.297	9/16-18	1.140	0.297	3/4-16	1.380	0.391
6600X08X08X08	0.750	3/4-16	1.250	0.391	3/4-16	1.250	0.391	3/4-16	1.380	0.391
6600X10X10X10	0.875	7/8-14	1.450	0.484	7/8-14	1.450	0.484	7/8-14	1.620	0.484
6600X12X10X12	1.063	1-1/16-12	1.660	0.609	7/8-14	1.540	0.484	1-1/16-12	1.750	0.609
6600X12X12X12	1.063	1-1/16-12	1.660	0.609	1-1/16-12	1.660	0.609	1-1/16-12	1.750	0.609
6600X14X14X14	1.313	1-3/16-12	1.800	0.719	1-3/16-12	1.800	0.719	1-3/16-12	1.780	0.719
6600X16X16X16	1.313	1-5/16-12	1.810	0.844	1-5/16-12	1.810	0.844	1-5/16-12	2.000	0.844
6600X20X20X20	1.625	1-5/8-12	2.060	1.078	1-5/8-12	2.060	1.078	1-5/8-12	2.310	1.078
6600X24X24X24	1.875	1-7/8-12	2.330	1.313	1-7/8-12	2.330	1.313	1-7/8-12	2.590	1.313
6600X32X32X32	2.500	2-1/2-12	3.060	1.781	2-1/2-12	3.060	1.781	2-1/2-12	3.380	1.781

Description: **SWIVEL RUN TEE**
 Part No.: **6602**
 Stainless Part No.: **6602-SS**

Parker: **R6X**
 Weatherhead: **F5706**
 Aeroquip: **203102-[R]**
 Gates: **MJ-FJX-MJ**

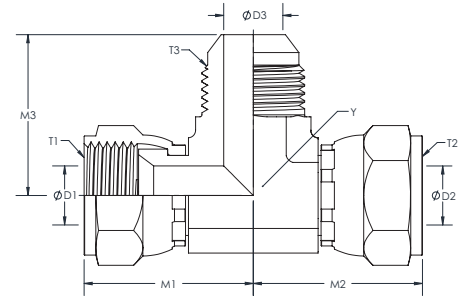


Part #	Y Hex	T1	M1	D1	T2	M2	D2	T3	M3	D3
6602X03X03X03	0.438	3/8-24	0.830	0.125	3/8-24	1.000	0.125	3/8-24	0.830	0.125
6602X04X04X04	0.438	7/16-20	0.890	0.172	7/16-20	1.000	0.172	7/16-20	0.890	0.172
6602X04X08X08	0.750	7/16-20	1.120	0.172	3/4-16	1.380	0.391	3/4-16	1.250	0.391
6602X05X05X05	0.563	1/2-20	0.950	0.234	1/2-20	1.060	0.234	1/2-20	0.950	0.234
6602X06X06X04	0.563	9/16-18	1.060	0.297	9/16-18	1.250	0.297	7/16-20	1.050	0.172
6602X06X06X06	0.563	9/16-18	1.060	0.297	9/16-18	1.250	0.297	9/16-18	1.060	0.297
6602X08X06X08	0.750	3/4-16	1.250	0.297	9/16-18	1.290	0.297	3/4-16	1.250	0.391
6602X08X08X06	0.750	3/4-16	1.250	0.391	3/4-16	1.380	0.391	9/16-18	1.140	0.297
6602X08X08X08	0.750	3/4-16	1.250	0.391	3/4-16	1.380	0.391	3/4-16	1.250	0.391
6602X08X08X12	1.063	3/4-16	1.420	0.391	3/4-16	1.550	0.391	1-1/16-12	1.660	0.609
6602X10X08X10	0.875	7/8-14	1.450	0.391	3/4-16	1.520	0.391	7/8-14	1.450	0.484
6602X10X10X06	0.875	7/8-14	1.450	0.484	7/8-14	1.620	0.484	9/16-18	1.220	0.297
6602X10X10X08	0.875	7/8-14	1.450	0.484	7/8-14	1.620	0.484	3/4-16	1.330	0.391
6602X10X10X10	0.875	7/8-14	1.450	0.484	7/8-14	1.620	0.484	7/8-14	1.450	0.484
6602X10X10X12	1.063	7/8-14	1.540	0.484	7/8-14	1.650	0.484	1-1/16-12	1.660	0.609
6602X12X12X12	1.063	1-1/16-12	1.660	0.609	1-1/16-12	1.750	0.609	1-1/16-12	1.660	0.609
6602X14X14X14	1.313	1-3/16-12	1.800	0.719	1-3/16-12	1.780	0.719	1-3/16-12	1.800	0.719
6602X16X16X10	1.313	1-5/16-12	1.810	0.844	1-5/16-12	2.000	0.844	7/8-14	1.640	0.484
6602X16X16X16	1.313	1-5/16-12	1.810	0.844	1-5/16-12	2.000	0.844	1-5/16-12	1.810	0.844
6602X20X20X20	1.625	1-5/8-12	2.060	1.078	1-5/8-12	2.310	1.078	1-5/8-12	2.060	1.078
6602X24X24X24	1.875	1-7/8-12	2.330	1.313	1-7/8-12	2.590	1.313	1-7/8-12	2.330	1.313
6602X32X32X32	2.500	2-1/2-12	3.060	1.781	2-1/2-12	3.380	1.781	2-1/2-12	3.060	1.781

37° FLARE (JIC) FITTINGS

Description: **FEMALE JIC, FEMALE JIC, MALE JIC TEE**
 Part No.: **6603**
 Stainless Part No.: **6603-SS**

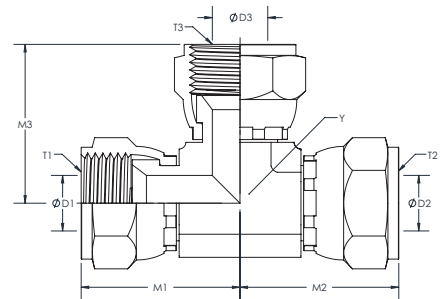
Parker: /
 Weatherhead: 6603
 Aeroquip: /
 Gates: /



Part #	Y Hex	T1	M1	D1	T2	M2	D2	T3	M3	D3
6603X02X02X02	0.438	5/16-24	0.970	0.063	5/16-24	0.970	0.063	5/16-24	0.770	0.063
6603X03X03X03	0.438	3/8-24	1.000	0.125	3/8-24	1.000	0.125	3/8-24	0.830	0.125
6603X04X04X04	0.438	7/16-20	1.000	0.172	7/16-20	1.000	0.172	7/16-20	0.890	0.172
6603X05X05X05	0.563	1/2-20	1.060	0.234	1/2-20	1.060	0.234	1/2-20	0.950	0.234
6603X06X06X06	0.563	9/16-18	1.250	0.297	9/16-18	1.250	0.297	9/16-18	1.060	0.297
6603X08X08X08	0.750	3/4-16	1.380	0.391	3/4-16	1.380	0.391	3/4-16	1.250	0.391
6603X10X10X10	0.875	7/8-14	1.620	0.484	7/8-14	1.620	0.484	7/8-14	1.450	0.484
6603X12X12X12	1.063	1-1/16-12	1.750	0.609	1-1/16-12	1.750	0.609	1-1/16-12	1.660	0.609
6603X14X14X14	1.313	1-3/16-12	1.780	0.719	1-3/16-12	1.780	0.719	1-3/16-12	1.800	0.719
6603X16X16X16	1.313	1-5/16-12	2.000	0.844	1-5/16-12	2.000	0.844	1-5/16-12	1.810	0.844
6603X20X20X20	1.625	1-5/8-12	2.310	1.078	1-5/8-12	2.310	1.078	1-5/8-12	2.060	1.078
6603X24X24X24	1.875	1-7/8-12	2.590	1.313	1-7/8-12	2.590	1.313	1-7/8-12	2.330	1.313
6603X32X32X32	2.500	2-1/2-12	3.380	1.781	2-1/2-12	3.380	1.781	2-1/2-12	3.060	1.781

Description: **FEMALE JIC, FEMALE JIC, FEMALE JIC TEE**
 Part No.: **6606**
 Stainless Part No.: **6606-SS**

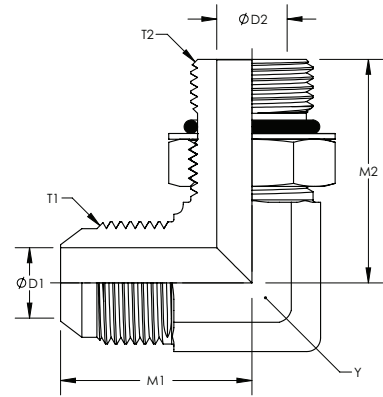
Parker: /
 Weatherhead: 6606
 Aeroquip: /
 Gates: /



Part #	Y Hex	T1	M1	D1	T2	M2	D2	T3	M3	D3
6606X02X02X02	0.438	5/16-24	0.970	0.063	5/16-24	0.970	0.063	5/16-24	0.970	0.063
6606X03X03X03	0.438	3/8-24	1.000	0.125	3/8-24	1.000	0.125	3/8-24	1.000	0.125
6606X04X04X04	0.438	7/16-20	1.000	0.172	7/16-20	1.000	0.172	7/16-20	1.000	0.172
6606X05X05X05	0.563	1/2-20	1.060	0.234	1/2-20	1.060	0.234	1/2-20	1.060	0.234
6606X06X06X06	0.563	9/16-18	1.250	0.297	9/16-18	1.250	0.297	9/16-18	1.250	0.297
6606X08X08X08	0.750	3/4-16	1.380	0.391	3/4-16	1.380	0.391	3/4-16	1.380	0.391
6606X10X10X10	0.875	7/8-14	1.620	0.484	7/8-14	1.620	0.484	7/8-14	1.620	0.484
6606X12X12X12	1.063	1-1/16-12	1.750	0.609	1-1/16-12	1.750	0.609	1-1/16-12	1.750	0.609
6606X14X14X14	1.313	1-3/16-12	1.780	0.719	1-3/16-12	1.780	0.719	1-3/16-12	1.780	0.719
6606X16X16X16	1.313	1-5/16-12	2.000	0.844	1-5/16-12	2.000	0.844	1-5/16-12	2.000	0.844
6606X20X20X20	1.625	1-5/8-12	2.310	1.078	1-5/8-12	2.310	1.078	1-5/8-12	2.310	1.078
6606X24X24X24	1.875	1-7/8-12	2.590	1.313	1-7/8-12	2.590	1.313	1-7/8-12	2.590	1.313
6606X32X32X32	2.500	2-1/2-12	3.380	1.781	2-1/2-12	3.380	1.781	2-1/2-12	3.380	1.781

Description: **90° STRAIGHT THREAD ELBOW**
 Part No.: **6801**
 Stainless Part No.: **6801-SS**

Parker: C5OX
 Weatherhead: F5515
 Aeroquip: 2062-[R]
 Gates: MB-MJ90



B

Part #	Y Hex	T1	M1	D1	T2	M2	D2
6801X02X02	0.438	5/16-24	0.770	0.063	5/16-24	0.940	0.063
6801X03X03	0.438	3/8-24	0.830	0.125	3/8-24	0.940	0.125
6801X04X02	0.438	7/16-20	0.890	0.172	5/16-24	0.920	0.063
6801X04X03	0.438	7/16-20	0.890	0.172	3/8-24	1.030	0.125
6801X04X04	0.438	7/16-20	0.890	0.172	7/16-20	1.030	0.172
6801X04X05	0.563	7/16-20	0.950	0.172	1/2-20	1.130	0.234
6801X04X06	0.563	7/16-20	1.050	0.172	9/16-18	1.250	0.297
6801X04X08	0.750	7/16-20	1.120	0.172	3/4-16	1.450	0.391
6801X05X04	0.563	1/2-20	0.950	0.234	7/16-20	1.130	0.172
6801X05X05	0.563	1/2-20	0.950	0.234	1/2-20	1.130	0.234
6801X05X06	0.563	1/2-20	1.050	0.234	9/16-18	1.250	0.297
6801X05X08	0.750	1/2-20	1.120	0.234	3/4-16	1.450	0.391
6801X06X04	0.563	9/16-18	1.060	0.297	7/16-20	1.190	0.172
6801X06X05	0.563	9/16-18	1.060	0.297	1/2-20	1.190	0.234
6801X06X06	0.563	9/16-18	1.060	0.297	9/16-18	1.250	0.297
6801X06X08	0.750	9/16-18	1.140	0.297	3/4-16	1.450	0.391
6801X06X10	0.875	9/16-18	1.220	0.297	7/8-14	1.700	0.484
6801X06X12	1.063	9/16-18	1.310	0.297	1-1/16-12	1.940	0.609
6801X08X04	0.750	3/4-16	1.250	0.391	7/16-20	1.260	0.172
6801X08X06	0.750	3/4-16	1.250	0.391	9/16-18	1.320	0.297
6801X08X08	0.750	3/4-16	1.250	0.391	3/4-16	1.450	0.391
6801X08X10	0.875	3/4-16	1.330	0.391	7/8-14	1.700	0.484
6801X08X12	1.063	3/4-16	1.420	0.391	1-1/16-12	1.940	0.609
6801X08X16	1.313	3/4-16	1.520	0.391	1-5/16-12	2.050	0.844
6801X10X06	0.875	7/8-14	1.450	0.484	9/16-18	1.410	0.297
6801X10X08	0.875	7/8-14	1.450	0.484	3/4-16	1.540	0.391
6801X10X10	0.875	7/8-14	1.450	0.484	7/8-14	1.700	0.484
6801X10X12	1.063	7/8-14	1.540	0.484	1-1/16-12	1.940	0.609
6801X10X16	1.313	7/8-14	1.640	0.484	1-5/16-12	2.050	0.844
6801X12X06	1.063	1-1/16-12	1.660	0.609	9/16-18	1.490	0.297
6801X12X08	1.063	1-1/16-12	1.660	0.609	3/4-16	1.620	0.391
6801X12X10	1.063	1-1/16-12	1.660	0.609	7/8-14	1.780	0.484
6801X12X12	1.063	1-1/16-12	1.660	0.609	1-1/16-12	1.940	0.609
6801X12X14	1.313	1-1/16-12	1.770	0.609	1-3/16-12	2.000	0.719
6801X12X16	1.313	1-1/16-12	1.760	0.609	1-5/16-12	2.050	0.844
6801X12X20	1.625	1-1/16-12	1.970	0.609	1-5/8-12	2.250	1.078
6801X14X12	1.313	1-3/16-12	1.800	0.719	1-1/16-12	2.000	0.609
6801X14X14	1.313	1-3/16-12	1.800	0.719	1-3/16-12	2.000	0.719
6801X16X08	1.313	1-5/16-12	1.810	0.844	3/4-16	1.730	0.391

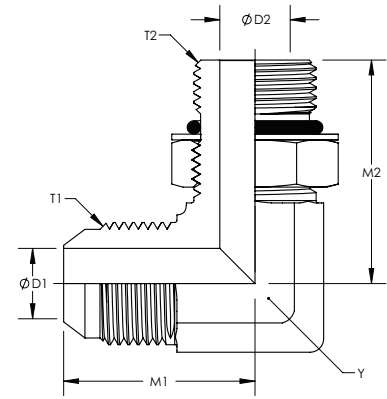
Continued on page 94

37° FLARE (JIC) FITTINGS

Continued from page 93

Description: **90° STRAIGHT THREAD ELBOW**
 Part No.: **6801**
 Stainless Part No.: **6801-SS**

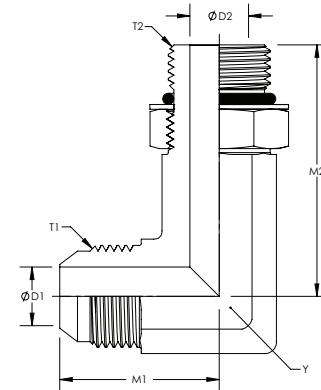
Parker: C5OX
 Weatherhead: F5515
 Aeroquip: 2062-[R]
 Gates: MB-MJ90



Part #	Y Hex	T1	M1	D1	T2	M2	D2
6801X16X10	1.313	1-5/16-12	1.810	0.844	7/8-14	1.890	0.484
6801X16X12	1.313	1-5/16-12	1.810	0.844	1-1/16-12	2.050	0.609
6801X16X14	1.313	1-5/16-12	1.810	0.844	1-3/16-12	2.050	0.719
6801X16X16	1.313	1-5/16-12	1.810	0.844	1-5/16-12	2.050	0.844
6801X16X20	1.625	1-5/16-12	2.010	0.844	1-5/8-12	2.250	1.078
6801X16X24	1.875	1-5/16-12	2.160	0.844	1-7/8-12	2.390	1.313
6801X20X12	1.625	1-5/8-12	2.060	1.078	1-1/16-12	2.250	0.609
6801X20X16	1.625	1-5/8-12	2.060	1.078	1-5/16-12	2.250	0.844
6801X20X20	1.625	1-5/8-12	2.060	1.078	1-5/8-12	2.250	1.078
6801X20X24	1.875	1-5/8-12	2.200	1.078	1-7/8-12	2.390	1.313
6801X24X16	1.875	1-7/8-12	2.330	1.313	1-5/16-12	2.390	0.844
6801X24X20	1.875	1-7/8-12	2.330	1.313	1-5/8-12	2.390	1.078
6801X24X24	1.875	1-7/8-12	2.330	1.313	1-7/8-12	2.390	1.313
6801X32X24	2.500	2-1/2-12	3.060	1.781	1-7/8-12	2.890	1.313
6801X32X32	2.500	2-1/2-12	3.060	1.781	2-1/2-12	2.890	1.781

Description: **90° STRAIGHT THREAD ELBOW LONG**
 Part No.: **6801-L**
 Stainless Part No.: **6801-L-SS**

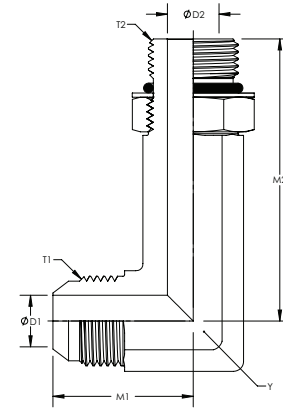
Parker: CC5OX
 Weatherhead: F5515L
 Aeroquip: /
 Gates: /



Part #	Y Hex	T1	M1	D1	T2	M2	D2
6801-LX04X04	0.438	7/16-20	0.890	0.172	7/16-20	1.540	0.172
6801-LX04X06	0.563	7/16-20	1.050	0.172	9/16-18	1.660	0.297
6801-LX06X06	0.563	9/16-18	1.060	0.297	9/16-18	1.660	0.297
6801-LX06X08	0.750	9/16-18	1.140	0.297	3/4-16	1.970	0.391
6801-LX08X08	0.750	3/4-16	1.250	0.391	3/4-16	1.970	0.391
6801-LX08X10	0.875	3/4-16	1.330	0.391	7/8-14	2.260	0.484
6801-LX10X08	0.875	7/8-14	1.450	0.484	3/4-16	2.100	0.391
6801-LX10X10	0.875	7/8-14	1.450	0.484	7/8-14	2.260	0.484
6801-LX12X12	1.063	1-1/16-12	1.660	0.609	1-1/16-12	2.620	0.609
6801-LX16X16	1.313	1-5/16-12	1.810	0.844	1-5/16-12	3.060	0.844

Description: **90° STRAIGHT THREAD ELBOW EXTRA EXTRA LONG**
 Part No.: **6801-LL**
 Stainless Part No.: **6801-LL-SS**

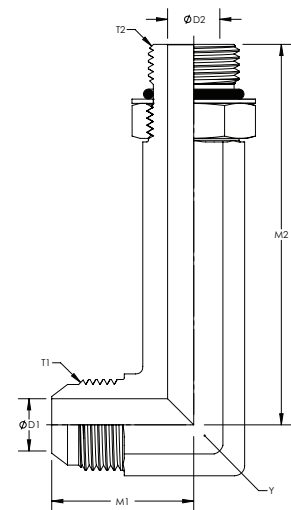
Parker: /
 Weatherhead: F5515LL
 Aeroquip: /
 Gates: /



Part #	Y Hex	T1	M1	D1	T2	M2	D2
6801-LLX04X04	0.438	7/16-20	0.890	0.172	7/16-20	1.730	0.172
6801-LLX04X06	0.563	7/16-20	1.050	0.172	9/16-18	2.080	0.297
6801-LLX06X06	0.563	9/16-18	1.060	0.297	9/16-18	2.080	0.297
6801-LLX06X08	0.750	9/16-18	1.140	0.297	3/4-16	2.480	0.391
6801-LLX08X06	0.750	3/4-16	1.250	0.391	9/16-18	2.350	0.297
6801-LLX08X08	0.750	3/4-16	1.250	0.391	3/4-16	2.480	0.391
6801-LLX08X10	0.875	3/4-16	1.330	0.391	7/8-14	2.890	0.484
6801-LLX10X08	0.875	7/8-14	1.450	0.484	3/4-16	2.730	0.391
6801-LLX10X10	0.875	7/8-14	1.450	0.484	7/8-14	2.890	0.484
6801-LLX12X12	1.063	1-1/16-12	1.660	0.609	1-1/16-12	3.340	0.609
6801-LLX12X16	1.313	1-1/16-12	1.760	0.609	1-5/16-12	3.720	0.844
6801-LLX16X12	1.313	1-5/16-12	1.810	0.844	1-1/16-12	3.720	0.609
6801-LLX16X16	1.313	1-5/16-12	1.810	0.844	1-5/16-12	3.720	0.844
6801-LLX20X20	1.625	1-5/8-12	2.060	1.078	1-5/8-12	4.410	1.078

Description: **90° STRAIGHT THREAD ELBOW EXTRA EXTRA LONG**
 Part No.: **6801-LLL**
 Stainless Part No.: **6801-LLL-SS**

Parker: /
 Weatherhead: F5515LLL
 Aeroquip: /
 Gates: /



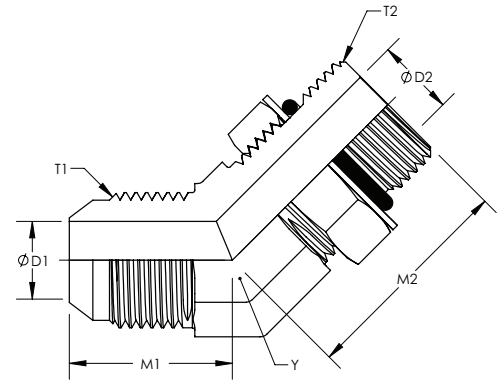
Part #	Y Hex	T1	M1	D1	T2	M2	D2
6801-LLLX04X04	0.438	7/16-20	0.890	0.172	7/16-20	2.440	0.172
6801-LLLX06X06	0.563	9/16-18	1.060	0.297	9/16-18	2.910	0.297
6801-LLLX06X08	0.750	9/16-18	1.140	0.297	3/4-16	3.530	0.391
6801-LLLX08X08	0.750	3/4-16	1.250	0.391	3/4-16	3.530	0.391

37° FLARE (JIC) FITTINGS

B

Description: **45° STRAIGHT THREAD ELBOW**
 Part No.: **6802**
 Stainless Part No.: **6802-SS**

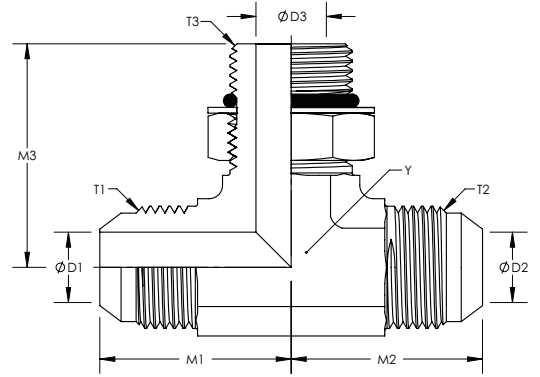
Parker: **V5OX**
 Weatherhead: **F5365**
 Aeroquip: **2061-[R]**
 Gates: **MB-MJ45**



Part #	Y Hex	T1	M1	D1	T2	M2	D2
6802X02X02	0.438	5/16-24	0.690	0.063	5/16-24	0.880	0.063
6802X04X04	0.438	7/16-20	0.720	0.172	7/16-20	0.940	0.172
6802X04X05	0.563	7/16-20	0.770	0.172	1/2-20	1.050	0.234
6802X04X06	0.563	7/16-20	0.820	0.172	9/16-18	1.140	0.297
6802X04X08	0.750	7/16-20	0.850	0.172	3/4-16	1.300	0.391
6802X05X04	0.563	1/2-20	0.770	0.234	7/16-20	1.050	0.172
6802X05X05	0.563	1/2-20	0.770	0.234	1/2-20	1.050	0.234
6802X05X06	0.563	1/2-20	0.820	0.234	9/16-18	1.140	0.297
6802X06X04	0.563	9/16-18	0.830	0.297	7/16-20	1.080	0.172
6802X06X05	0.563	9/16-18	0.830	0.297	1/2-20	1.080	0.234
6802X06X06	0.563	9/16-18	0.830	0.297	9/16-18	1.140	0.297
6802X06X08	0.750	9/16-18	0.870	0.297	3/4-16	1.300	0.391
6802X06X10	0.875	9/16-18	0.880	0.297	7/8-14	1.520	0.484
6802X08X06	0.750	3/4-16	0.980	0.391	9/16-18	1.170	0.297
6802X08X08	0.750	3/4-16	0.980	0.391	3/4-16	1.300	0.391
6802X08X10	0.875	3/4-16	0.990	0.391	7/8-14	1.520	0.484
6802X08X12	1.063	3/4-16	1.040	0.391	1-1/16-12	1.730	0.609
6802X10X08	0.875	7/8-14	1.110	0.484	3/4-16	1.360	0.391
6802X10X10	0.875	7/8-14	1.110	0.484	7/8-14	1.520	0.484
6802X10X12	1.063	7/8-14	1.160	0.484	1-1/16-12	1.730	0.609
6802X12X08	1.063	1-1/16-12	1.280	0.609	3/4-16	1.410	0.391
6802X12X10	1.063	1-1/16-12	1.280	0.609	7/8-14	1.570	0.484
6802X12X12	1.063	1-1/16-12	1.280	0.609	1-1/16-12	1.730	0.609
6802X12X16	1.313	1-1/16-12	1.420	0.609	1-5/16-12	1.860	0.844
6802X14X14	1.313	1-3/16-12	1.450	0.719	1-3/16-12	1.860	0.719
6802X16X12	1.313	1-5/16-12	1.470	0.844	1-1/16-12	1.860	0.609
6802X16X16	1.313	1-5/16-12	1.470	0.844	1-5/16-12	1.860	0.844
6802X16X20	1.625	1-5/16-12	1.540	0.844	1-5/8-12	1.910	1.078
6802X20X16	1.625	1-5/8-12	1.590	1.078	1-5/16-12	1.910	0.844
6802X20X20	1.625	1-5/8-12	1.590	1.078	1-5/8-12	1.910	1.078
6802X24X24	1.875	1-7/8-12	1.780	1.313	1-7/8-12	1.910	1.313
6802X32X32	2.500	2-1/2-12	2.220	1.781	2-1/2-12	1.860	1.781

Description: **STRAIGHT THREAD BRANCH TEE**
 Part No.: **6803**
 Stainless Part No.: **6803-SS**

Parker: **S50X**
 Weatherhead: **F5715**
 Aeroquip: **203003-[R]**
 Gates: **MJ-MJ-MB**



B

Part #	Y Hex	T1	M1	D1	T2	M2	D2	T3	M3	D3
6803X02X02X02	0.438	5/16-24	0.770	0.063	5/16-24	0.770	0.063	5/16-24	0.940	0.063
6803X04X04X03	0.438	7/16-20	0.890	0.172	7/16-20	0.890	0.172	3/8-24	0.920	0.125
6803X04X04X04	0.438	7/16-20	0.890	0.172	7/16-20	0.890	0.172	7/16-20	1.030	0.172
6803X04X04X06	0.563	7/16-20	1.050	0.172	7/16-20	1.050	0.172	9/16-18	1.250	0.297
6803X05X05X05	0.563	1/2-20	0.950	0.234	1/2-20	0.950	0.234	1/2-20	1.130	0.234
6803X06X06X04	0.563	9/16-18	1.060	0.297	9/16-18	1.060	0.297	7/16-20	1.190	0.172
6803X06X06X06	0.563	9/16-18	1.060	0.297	9/16-18	1.060	0.297	9/16-18	1.250	0.297
6803X06X06X08	0.750	9/16-18	1.140	0.297	9/16-18	1.140	0.297	3/4-16	1.450	0.391
6803X08X08X06	0.750	3/4-16	1.250	0.391	3/4-16	1.250	0.391	9/16-18	1.320	0.297
6803X08X08X08	0.750	3/4-16	1.250	0.391	3/4-16	1.250	0.391	3/4-16	1.450	0.391
6803X08X08X10	0.875	3/4-16	1.330	0.391	3/4-16	1.330	0.391	7/8-14	1.700	0.484
6803X10X10X08	0.875	7/8-14	1.450	0.484	7/8-14	1.450	0.484	3/4-16	1.540	0.391
6803X10X10X10	0.875	7/8-14	1.450	0.484	7/8-14	1.450	0.484	7/8-14	1.700	0.484
6803X10X10X12	1.063	7/8-14	1.540	0.484	7/8-14	1.540	0.484	1-1/16-12	1.940	0.609
6803X12X10X12	1.063	1-1/16-12	1.660	0.484	7/8-14	1.540	0.484	1-1/16-12	1.940	0.609
6803X12X12X08	1.063	1-1/16-12	1.660	0.609	1-1/16-12	1.660	0.609	3/4-16	1.620	0.391
6803X12X12X10	1.063	1-1/16-12	1.660	0.609	1-1/16-12	1.660	0.609	7/8-14	1.780	0.484
6803X12X12X12	1.063	1-1/16-12	1.660	0.609	1-1/16-12	1.660	0.609	1-1/16-12	1.940	0.609
6803X12X12X16	1.313	1-1/16-12	1.760	0.609	1-1/16-12	1.760	0.609	1-5/16-12	2.050	0.844
6803X16X12X16	1.313	1-5/16-12	1.810	0.844	1-1/16-12	1.760	0.609	1-5/16-12	2.050	0.844
6803X16X16X12	1.313	1-5/16-12	1.810	0.844	1-5/16-12	1.810	0.844	1-1/16-12	2.050	0.609
6803X16X16X16	1.313	1-5/16-12	1.810	0.844	1-5/16-12	1.810	0.844	1-5/16-12	2.050	0.844
6803X20X20X20	1.625	1-5/8-12	2.060	1.078	1-5/8-12	2.060	1.078	1-5/8-12	2.250	1.078
6803X24X24X24	1.875	1-7/8-12	2.330	1.313	1-7/8-12	2.330	1.313	1-7/8-12	2.390	1.313

37° FLARE (JIC) FITTINGS

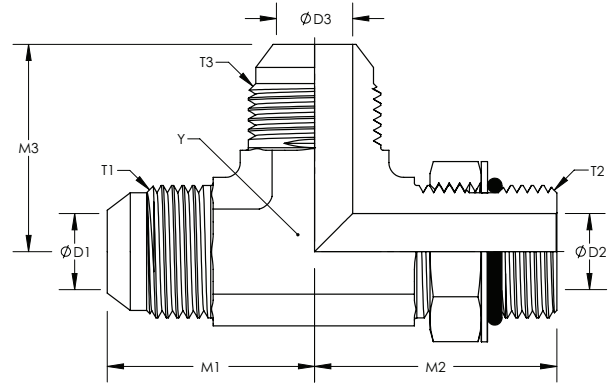
B

Description:
Part No.:
Stainless Part No.:

STRAIGHT THREAD RUN TEE
6804
6804-SS

Parker:
Weatherhead:
Aeroquip:
Gates:

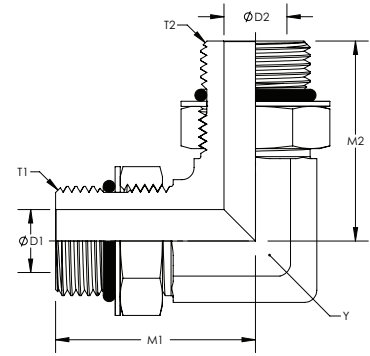
R5OX
F5716
203005-[R]
MB-MJ-MJ



Part #	Y Hex	T1	M1	D1	T2	M2	D2	T3	M3	D3
6804X04X02X04	0.438	7/16-20	0.890	0.172	5/16-24	0.920	0.063	7/16-20	0.890	0.172
6804X04X04X04	0.438	7/16-20	0.890	0.172	7/16-20	1.030	0.172	7/16-20	0.890	0.172
6804X04X04X06	0.563	7/16-20	1.050	0.172	7/16-20	1.190	0.172	9/16-18	1.060	0.297
6804X04X06X04	0.563	7/16-20	1.050	0.172	9/16-18	1.250	0.297	7/16-20	1.050	0.172
6804X04X06X06	0.563	7/16-20	1.050	0.172	9/16-18	1.250	0.297	9/16-18	1.060	0.297
6804X05X05X05	0.563	1/2-20	0.950	0.234	1/2-20	1.130	0.234	1/2-20	0.950	0.234
6804X06X04X06	0.563	9/16-18	1.060	0.297	7/16-20	1.190	0.172	9/16-18	1.060	0.297
6804X06X06X06	0.563	9/16-18	1.060	0.297	9/16-18	1.250	0.297	9/16-18	1.060	0.297
6804X06X06X08	0.750	9/16-18	1.140	0.297	9/16-18	1.320	0.297	3/4-16	1.250	0.391
6804X06X08X06	0.750	9/16-18	1.140	0.297	3/4-16	1.450	0.391	9/16-18	1.140	0.297
6804X08X06X08	0.750	3/4-16	1.250	0.391	9/16-18	1.320	0.297	3/4-16	1.250	0.391
6804X08X08X04	0.750	3/4-16	1.250	0.391	3/4-16	1.450	0.391	7/16-20	1.120	0.172
6804X08X08X08	0.750	3/4-16	1.250	0.391	3/4-16	1.450	0.391	3/4-16	1.250	0.391
6804X08X10X08	0.875	3/4-16	1.330	0.391	7/8-14	1.700	0.484	3/4-16	1.330	0.391
6804X08X12X08	1.063	3/4-16	1.420	0.391	1-1/16-12	1.940	0.609	3/4-16	1.420	0.391
6804X08X16X16	1.313	3/4-16	1.520	0.391	1-5/16-12	2.050	0.844	1-5/16-12	1.810	0.844
6804X10X10X10	0.875	7/8-14	1.450	0.484	7/8-14	1.700	0.484	7/8-14	1.450	0.484
6804X10X10X12	1.063	7/8-14	1.540	0.484	7/8-14	1.780	0.484	1-1/16-12	1.660	0.609
6804X10X12X10	1.063	7/8-14	1.540	0.484	1-1/16-12	1.940	0.609	7/8-14	1.540	0.484
6804X12X10X12	1.063	1-1/16-12	1.660	0.609	7/8-14	1.780	0.484	1-1/16-12	1.660	0.609
6804X12X12X08	1.063	1-1/16-12	1.660	0.609	1-1/16-12	1.940	0.609	3/4-16	1.420	0.391
6804X12X12X12	1.063	1-1/16-12	1.660	0.609	1-1/16-12	1.940	0.609	1-1/16-12	1.660	0.609
6804X12X12X16	1.313	1-1/16-12	1.760	0.609	1-1/16-12	2.050	0.609	1-5/16-12	1.810	0.844
6804X12X16X12	1.313	1-1/16-12	1.760	0.609	1-5/16-12	2.050	0.844	1-1/16-12	1.760	0.609
6804X16X12X16	1.313	1-5/16-12	1.810	0.844	1-1/16-12	2.050	0.609	1-5/16-12	1.810	0.844
6804X16X16X12	1.313	1-5/16-12	1.810	0.844	1-5/16-12	2.050	0.844	1-1/16-12	1.760	0.609
6804X16X16X16	1.313	1-5/16-12	1.810	0.844	1-5/16-12	2.050	0.844	1-5/16-12	1.810	0.844
6804X20X20X20	1.625	1-5/8-12	2.060	1.078	1-5/8-12	2.250	1.078	1-5/8-12	2.060	1.078
6804X24X24X24	1.875	1-7/8-12	2.330	1.313	1-7/8-12	2.390	1.313	1-7/8-12	2.330	1.313
6804X32X32X32	2.500	2-1/2-12	3.060	1.781	2-1/2-12	2.890	1.781	2-1/2-12	3.060	1.781

Description: **ADJUSTABLE ORB UNION ELBOW**
 Part No.: **6807**
 Stainless Part No.: **6807-SS**

Parker: /
 Weatherhead: 6807
 Aeroquip: /
 Gates: /

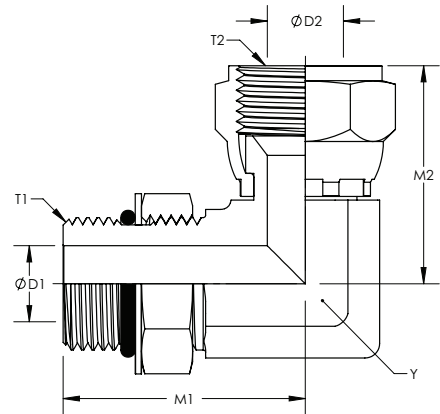


B

Part #	Y Hex	T1	M1	D1	T2	M2	D2
6807X04X04	0.438	7/16-20	1.030	0.172	7/16-20	1.030	0.172
6807X06X06	0.563	9/16-18	1.250	0.297	9/16-18	1.250	0.297
6807X08X06	0.750	3/4-16	1.450	0.391	9/16-18	1.320	0.297
6807X08X08	0.750	3/4-16	1.450	0.391	3/4-16	1.450	0.391
6807X10X08	0.875	7/8-14	1.700	0.484	3/4-16	1.540	0.391
6807X10X10	0.875	7/8-14	1.700	0.484	7/8-14	1.700	0.484
6807X12X12	1.063	1-1/16-12	1.940	0.609	1-1/16-12	1.940	0.609
6807X16X16	1.313	1-5/16-12	2.050	0.844	1-5/16-12	2.050	0.844
6807X20X20	1.625	1-5/8-12	2.250	1.078	1-5/8-12	2.250	1.078
6807X24X24	1.875	1-7/8-12	2.390	1.313	1-7/8-12	2.390	1.313

Description: **90° FEMALE SWIVEL TO MALE ORB**
 Part No.: **6809**
 Stainless Part No.: **6809-SS**

Parker: AOEX6
 Weatherhead: 6809
 Aeroquip: /
 Gates: /



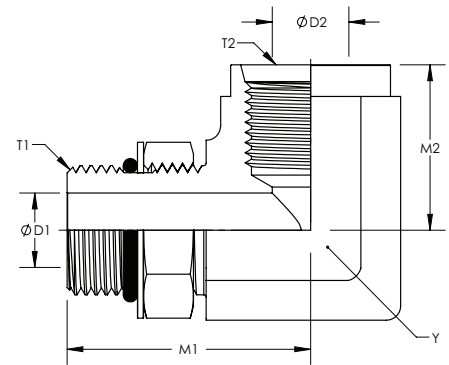
Part #	Y Hex	T1	M1	D1	T2	M2	D2
6809X04X04	0.438	7/16-20	1.030	0.172	7/16-20	1.000	0.172
6809X06X06	0.563	9/16-18	1.250	0.297	9/16-18	1.250	0.297
6809X08X08	0.750	3/4-16	1.450	0.391	3/4-16	1.380	0.391
6809X10X10	0.875	7/8-14	1.700	0.484	7/8-14	1.620	0.484
6809X12X12	1.063	1-1/16-12	1.940	0.609	1-1/16-12	1.750	0.609
6809X16X16	1.313	1-5/16-12	2.050	0.844	1-5/16-12	2.000	0.844

37° FLARE (JIC) FITTINGS

B

Description: **90° MALE ORB TO FEMALE ORB**
 Part No.: **6815**
 Stainless Part No.: **6815-SS**

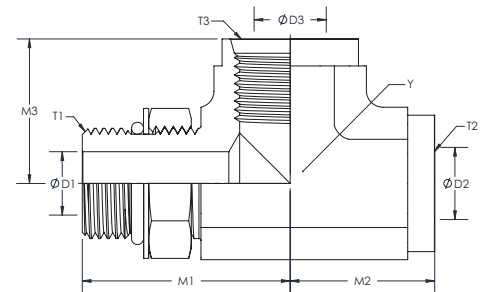
Parker: /
 Weatherhead: 6815
 Aeroquip: /
 Gates: /



Part #	Y Hex	T1	M1	D1	T2	M2	D2
6815X04X04	0.750	7/16-20	1.260	0.172	7/16-20	0.830	0.172
6815X06X06	0.875	9/16-18	1.410	0.297	9/16-18	1.020	0.297
6815X08X08	1.063	3/4-16	1.620	0.391	3/4-16	1.230	0.391
6815X10X10	1.063	7/8-14	1.780	0.484	7/8-14	1.230	0.492
6815X12X12	1.313	1-1/16-12	2.000	0.609	1-1/16-12	1.360	0.609
6815X16X16	1.625	1-5/16-12	2.250	0.844	1-5/16-12	1.620	0.827

Description: **MAORB-FORB-FORB TEE**
 Part No.: **6835**
 Stainless Part No.: **6835-SS**

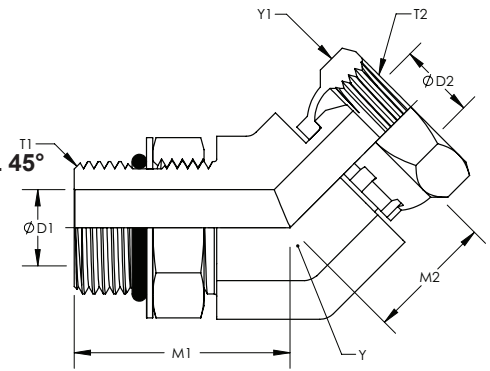
Parker: /
 Weatherhead: 6835
 Aeroquip: /
 Gates: /



Part #	Y Hex	T1	M1	D1	T2	M2	D2	T3	M3	D3
6835X04X04X04	0.750	7/16-20	1.230	0.172	7/16-20	0.740	0.177	7/16-20	0.740	0.177
6835X06X06X06	0.875	9/16-18	1.380	0.297	9/16-18	0.860	0.297	9/16-18	0.860	0.297
6835X08X08X08	1.063	3/4-16	1.590	0.391	3/4-16	1.030	0.394	3/4-16	1.030	0.394
6835X10X10X10	1.063	7/8-14	1.810	0.484	7/8-14	1.180	0.492	7/8-14	1.180	0.492
6835X12X12X12	1.313	1-1/16-12	2.000	0.609	1-1/16-12	1.390	0.630	1-1/16-12	1.390	0.630
6835X16X16X16	1.625	1-5/16-12	2.250	0.844	1-5/16-12	1.520	0.827	1-5/16-12	1.520	0.827

Description: **ADJUSTABLE MALE SAE TO FEMALE PIPE SWIVEL 45°**
 Part No.: **6902**
 WWF Stainless Part No.: **6902-SS**

Parker: 3507
 Weatherhead: 9365
 Aeroquip: 2067-[R]
 Gates: MB-FPX45



B

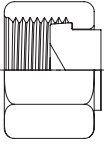
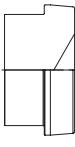


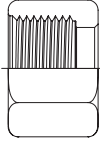
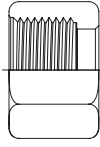
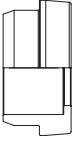

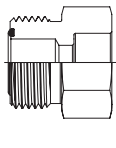
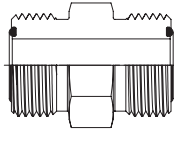
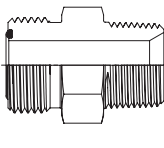
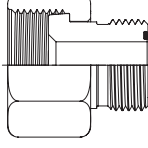
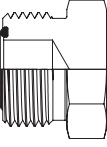
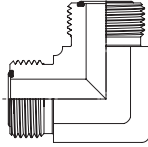
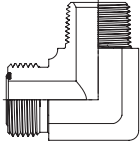
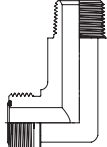
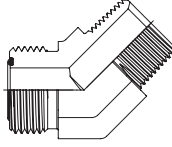
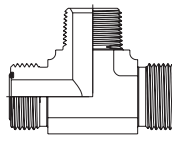
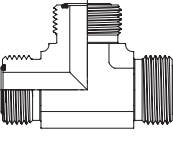
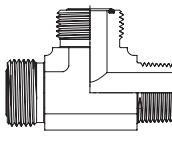
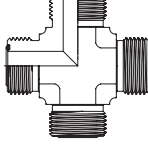
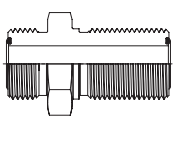
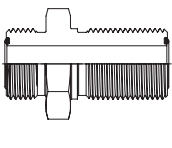
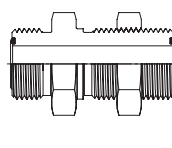
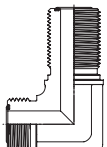
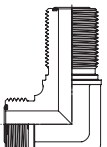
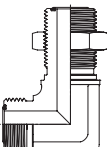
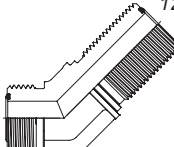
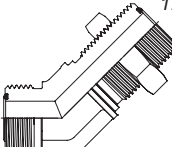
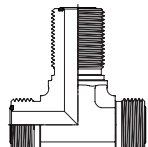
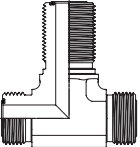
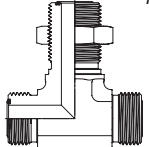
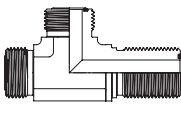
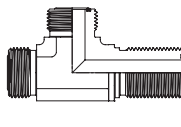
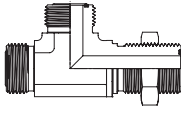
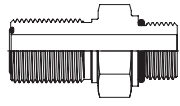
Part #	Y Hex	Y1 Hex	T1	M1	D1	T2	M2	D2
6902X04X04	0.438	0.688	7/16-20	1.080	0.172	1/4-18	0.610	0.220
6902X06X04	0.563	0.688	9/16-18	1.140	0.297	1/4-18	0.730	0.220
6902X06X06	0.563	0.875	9/16-18	1.170	0.297	3/8-18	0.810	0.340
6902X06X08	0.875	1.000	9/16-18	1.230	0.297	1/2-14	0.880	0.460
6902X08X06	0.750	0.875	3/4-16	1.300	0.391	3/8-18	0.810	0.340
6902X08X08	0.875	1.000	3/4-16	1.360	0.391	1/2-14	0.880	0.460
6902X08X12	1.063	1.250	3/4-16	1.410	0.391	3/4-14	1.020	0.635
6902X10X06	0.875	0.875	7/8-14	1.520	0.484	3/8-18	0.810	0.340
6902X10X08	0.875	1.000	7/8-14	1.520	0.484	1/2-14	0.880	0.460
6902X12X06	1.063	0.875	1-1/16-12	1.730	0.609	3/8-18	0.980	0.340
6902X12X08	1.063	1.000	1-1/16-12	1.730	0.609	1/2-14	1.020	0.460
6902X12X12	1.063	1.250	1-1/16-12	1.730	0.609	3/4-14	1.020	0.635
6902X16X16	1.313	1.500	1-5/16-12	1.860	0.844	1-11-1/2	1.150	0.831
6902X20X20	1.625	1.875	1-5/8-12	1.910	1.078	1-1/4-11-1/2	1.230	1.087
6902X24X24	1.875	2.125	1-7/8-12	1.910	1.313	1-1/2-11-1/2	1.350	1.317


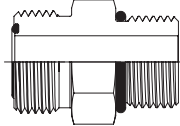
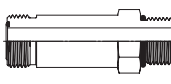
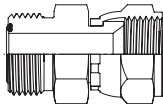
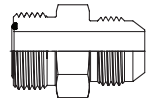
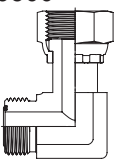
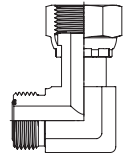
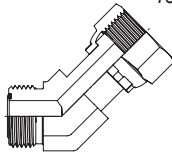
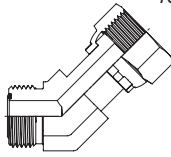
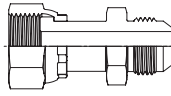
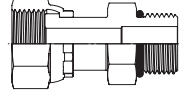
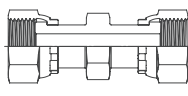
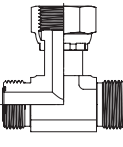
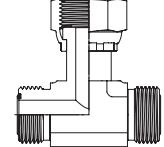
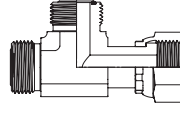
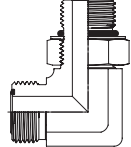
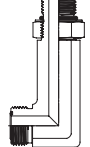
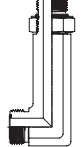
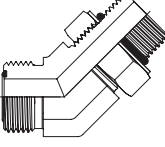
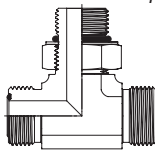
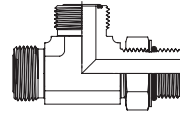
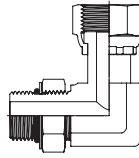
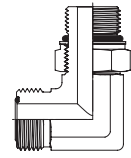
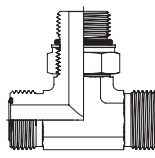
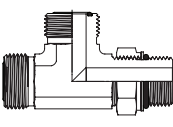
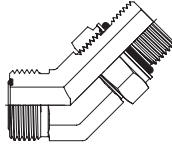
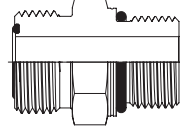
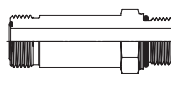
WORLD WIDE FITTINGS inc.



"O" RING FACE SEAL FITTINGS

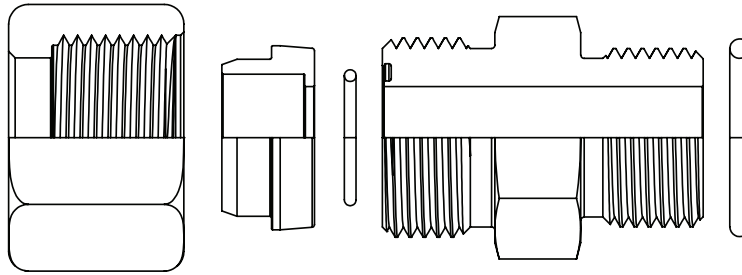
"O" RING FACE SEAL FITTINGS

FF304-C Pg. 110  4129 Cap Assembly	FF304-C Pg. 110  4129PLG ORFS Cap Insert Only	FS0306 Pg. 111  4925 Bulkhead Locknut	FS0306-N Pg. 111  4924 Straight Thread Locknut	FS0318 Pg. 112  4105 Standard Nut	MFS0318 Pg. 112  4105MH Metric Hex Nut
FS0319 Pg. 113  4165 Sleeve	FS0319PF Pg. 113  4165PH Mechanical Sleeve	FS0403 Pg. 114  4135 Braze-On Straight	FS2403 Pg. 114  4305 Union Straight	FS2404 Pg. 115  4205 Male Connector	FS2406 Pg. 116  4015 Reducer
FS2408 Pg. 117  4229 Plug	FS2500 Pg. 117  4505 90° Union Elbow	FS2501 Pg. 118  4405 90° Male Elbow	FS2501-L Pg. 118  4405L 90° Male Elbow Long	FS2503 Pg. 119  4355 45° Male Elbow	FS2601 Pg. 119  4605 Male Branch Tee
FS2603 Pg. 120  4705 Union Tee	FS2605 Pg. 120  4755 Male Run Tee	FS2650 Pg. 121  4955 Union Cross	FS2700 Pg. 121  4325 Bulkhead Straight	FS2700-H Pg. 122  4325MH Bulkhead Straight Metric Hex	FS2700-LN Pg. 122  4325LN Bulkhead Straight With Locknut
FS2701 Pg. 123  4525 90° Bulkhead Elbow	FS2701-H Pg. 123  4525MH 90° Bulkhead Elbow Metric Hex	FS2701-LN Pg. 124  4525LN 90° Bulkhead Elbow With Locknut	FS2702 Pg. 124  4375 45° Bulkhead Elbow	FS2702-LN Pg. 125  4375LN 45° Bulkhead Elbow With Locknut	FS2703 Pg. 125  4725 Bulkhead Branch Tee
FS2703-H Pg. 126  4725MH Bulkhead Branch Tee - Metric Hex	FS2703-LN Pg. 126  4725LN Bulkhead Branch Tee With Locknut	FS2704 Pg. 127  4726 Bulkhead Run Tee	FS2704-H Pg. 127  4726MH Bulkhead Run Tee Metric Hex	FS2704-LN Pg. 128  4726LN Bulkhead Run Tee With Locknut	FS2764 Pg. 128  FS2764 Male ORFS Bulkhead to Male SAE Straight

<p>FS4000 Pg. 129</p>  <p>4629 "O" Ring</p>	<p>FS6400 Pg. 130</p>  <p>4314 Stud Straight</p>	<p>FS6400-L Pg. 131</p>  <p>4316 Stud Straight Long</p>	<p>FS6402 Pg. 131</p>  <p>4316 Male Face Seal to Female JIC Swivel</p>	<p>FS6403 Pg. 132</p>  <p>FS6403 Male Face Seal to Male JIC End</p>	<p>FS6500 Pg. 132</p>  <p>4506 90° Swivel Elbow</p>
<p>FS6500-H Pg. 133</p>  <p>4506MH 90° Swivel Elbow Metric Hex</p>	<p>FS6502 Pg. 133</p>  <p>4356 45° Swivel Elbow</p>	<p>FS6502-H Pg. 133</p>  <p>4356MH 45° Swivel Elbow</p>	<p>FS6504 Pg. 134</p>  <p>4213 Female Swivel to Male JIC</p>	<p>FS6540 Pg. 134</p>  <p>FS6540 Stud Straight Swivel</p>	<p>FS6565 Pg. 135</p>  <p>FS6565 ORFS Swivel Union</p>
<p>FS6600-FG Pg. 135</p>  <p>4707 Swivel Branch Tee</p>	<p>FS6600-H Pg. 136</p>  <p>4707MH Swivel Branch Tee Metric Hex</p>	<p>FS6602 Pg. 136</p>  <p>4706 Swivel Run Tee</p>	<p>FS6801 Pg. 137</p>  <p>4515 90° Adjustable Stud Elbow</p>	<p>FS6801-L Pg. 138</p>  <p>4515L 90° Adjustable Stud Elbow - Long</p>	<p>FS6801-LL Pg. 138</p>  <p>4515LL 90° Adjustable Stud Elbow - Extra Long</p>
<p>FS6802 Pg. 139</p>  <p>4365 45° Adjustable Stud Elbow</p>	<p>FS6803 Pg. 140</p>  <p>4715 Adjustable Stud Branch Tee</p>	<p>FS6804 Pg. 141</p>  <p>43164716 Adjustable Stud Run Tee</p>	<p>FS6809 Pg. 142</p>  <p>FS6809 Swivel 90° Adjustable Stud Elbow</p>	<p>FS7205 Pg. 142</p>  <p>4515M 90° Adjustable Stud Elbow - Metric</p>	<p>FS7210 Pg. 143</p>  <p>4715M Adjustable Stud Branch Tee - Metric</p>
<p>FS7215 Pg. 143</p>  <p>4716M Adjustable Stud Run Tee - Metric</p>	<p>FS7300 Pg. 144</p>  <p>4365M 45° Adjustable Stud Elbow - Metric</p>	<p>FS7640 Pg. 144</p>  <p>4314M Stud Straight - Metric</p>	<p>FS7640-L Pg. 145</p>  <p>4316M Stud Straight Long - Metric</p>		

C

"O" RING FACE SEAL FITTINGS



C

CONSTRUCTION

"O" Ring Face Seal Fittings consist of four main components: Bodies, "O" Rings, Nuts, and Sleeves. Bodies - Straight bodies are machined from bar stock. Shape fittings (elbows, tees, & crosses) are made from forgings.

"O" Rings - Buna-N, 90 Durometer

Nuts - "O" Ring Face Seal Tube Nuts in sizes 1/4", 3/8", 1/2", 3/4", 5/8", and 1" are Cold Formed in 1010 steel.

"O" Ring Face Seal Tube Nuts in sizes 1-1/4", 1-1/2", & 2" are hot forged from 1045.

Sleeves - "O" Ring Face Seal Sleeves are machined from 12L14 bar stock.

APPLICATIONS

For use with most high pressure applications. Applications containing continuous mechanical shock.

PRESSURE RATINGS

Working pressures up to 6000 PSI - depending on tube and fitting size. (For applications using extreme pressures at 5000 PSI or above, contact World Wide Fittings.)

MATERIAL

Steel - 12L14, 1215, 1045.

"O" Ring - Buna-N 90 Durometer, Viton.

PLATING

Clear Zinc Trivalent.

TEMPERATURE RANGE

-30° F to 275° F

(Viton "O" Rings available upon request for high temperature applications. Contact World Wide Fittings for details.)

HOW TO ORDER

Tubing sizes are measured in sixteenths of an inch. When ordering, the tube end of the fitting must be specified first followed by the pipe thread or straight thread end. All fittings in this section are ordered as bodies only unless specified by customers when ordering.

(Contact World Wide when ordering fittings as assemblies or configurations which are non-standard.)

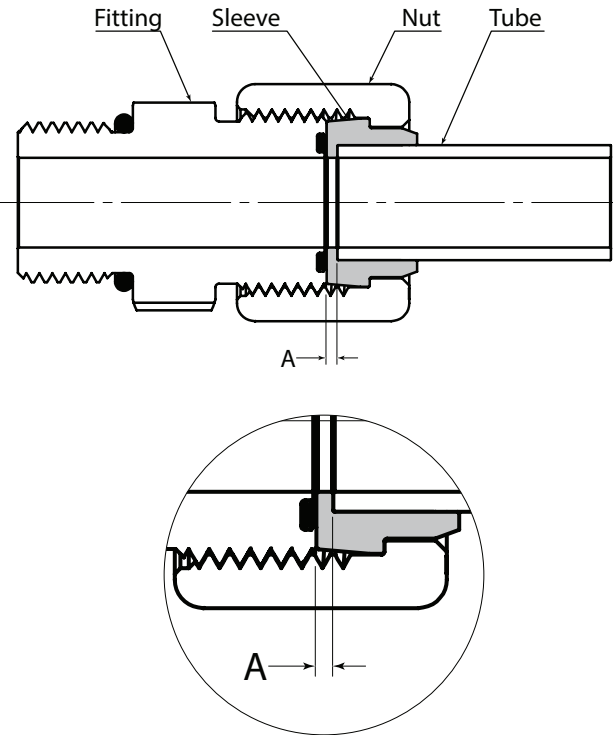
CONFORMANCE

"O" Ring Face Seal fittings meet SAE J1453 Specifications.

ASSEMBLY INSTRUCTIONS

1. Measure the needed length of tubing to be cut. When measuring be sure to leave room at the end of your tube for the sleeve which will be brazed on to the end of the tubing.
2. Cut the length of tubing making sure the ends of the tubes are square. Remove all burrs and foreign matter from the ends of the tubing where brazing is to be done.
3. Clamp the tube to be brazed in a vise and slide the tube nut on to the tube with the open end of the nut facing the tube end. Apply flux to the outside of the tube end. When applying flux to the tail end of the sleeve, be sure to coat the OD, ID, & braze ring.
4. Slide the sleeve with the brazing ring on to the tube end and apply heat uniformly around the sleeve and the tube end. As the flux reaches the proper brazing temperature it will become clear in color. When the proper brazing temperature is maintained the braze ring will melt and the sleeve will settle down on the end of the tube. Should the sleeve not settle on to the tube apply a slight pressure to the sleeve to force the sleeve down onto the tube.
5. After the tube cools, remove the assembly from the vise and inspect the braze joint. The braze material should have formed a continuous fillet completely around the tube. Should visible gaps be noticeable, the braze joint may not be complete and would fail if put into service. Re-brazing is recommended to correct the problem.
6. Remove any excess flux & residue from the brazed assembly.
7. Install the "O" Ring Face Seal fitting body to the piece of equipment. Line the ends of your tube assembly up with the fitting bodies. Visually inspect the ends of the fitting bodies to make sure the "O" Ring seals are in place. Bring the nut at each end up to the fitting body and tighten to the finger-tight position. Using a torque wrench, tighten the Face Seal tube nuts to the proper torque.
(Refer to the assembly torque charts during installation of "O" Ring Face Seal fittings from the port and thread assemblies section.)

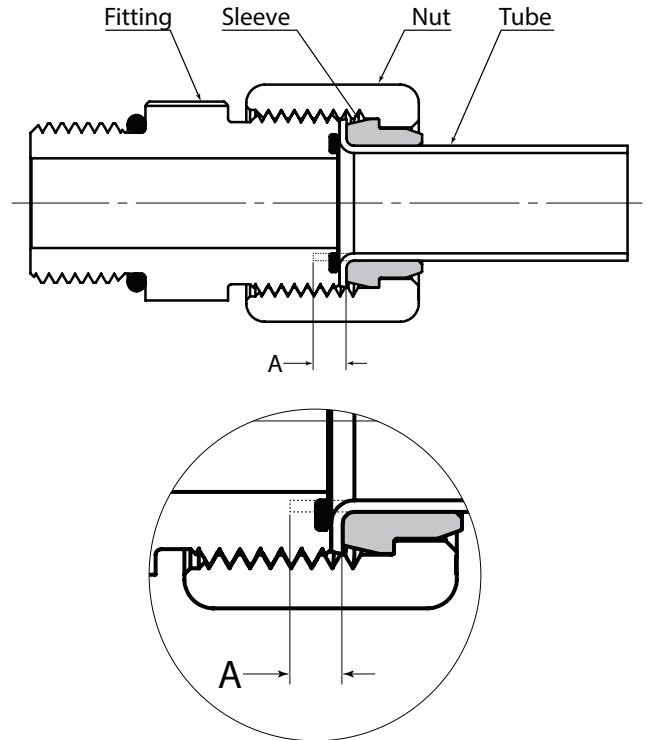
Correct assembly



Tube length allowance
(See table below)

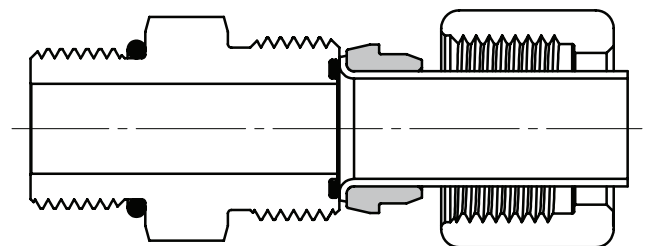
Nominal Tube O.D.		A (in.)
Inch	Metric	
1/4	6	0.04
3/8	8, 10	0.04
1/2	12	0.04
5/8	14, 15, 16	0.06
3/4	18, 20	0.06
1	22, 25	0.06
1-1/4	28, 30, 32	0.06
1-1/2	35, 38	0.06

Correct assembly

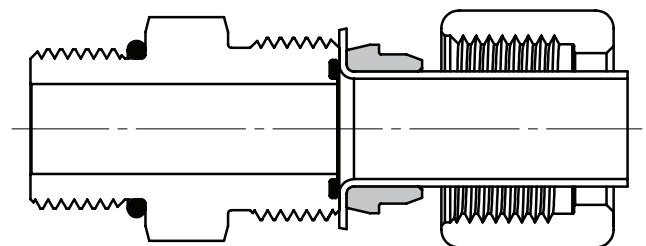


Tube length allowance
(See page 50 for extra cut-off length)

Incorrect assembly



Underflanged assembly

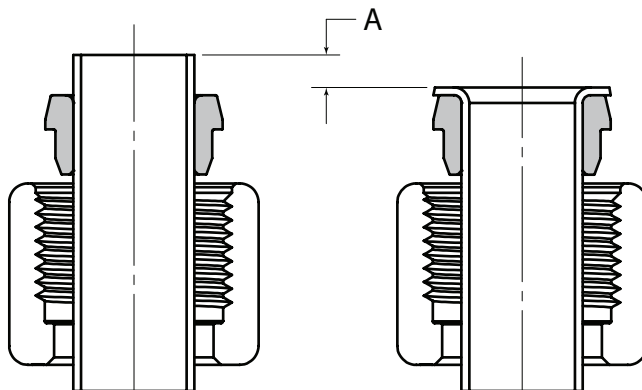


Overflanged assembly

C

"O" RING FACE SEAL FITTINGS

C



Extra cut-off length - "A"

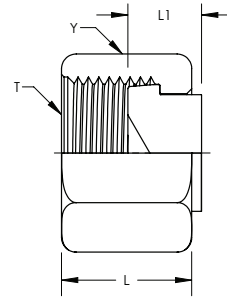
Extra tube cut-off length guide for inch tube

Tube O.D. (inch)	Tube Wall Thickness - inch										
	.028	.035	.049	.065	.083	.095	.109	.120	.134	.156	.188
1/4	3/16	13/16	5/32								
3/8		9/16	9/64	5/32	5/32	5/32					
1/2		5/32	9/64	9/64	9/64	9/64					
5/8			5/32	5/32	7/64	11/64	5/32	11/64			
3/4		5/32	5/32	5/32	1/8	7/64	9/64	5/32	11/64		
1		9/64	9/64	9/64	9/64	7/64	11/64	11/64	3/16		
1-1/4					5/32	7/64	7/64	1/8	5/32	11/64	11/64
1-1/2				11/64	11/64	3/16	3/16	3/16	3/16	15/64	7/32

"O" RING FACE SEAL FITTINGS

Description: **CAP ASSEMBLY**
 Part No.: **FF304-C**
 Stainless Part No.: **FF304-C-SS**

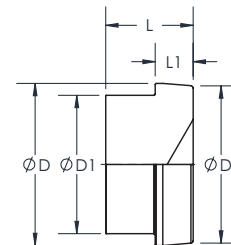
Parker: FNL
 Weatherhead: 4129
 Aeroquip: FF9863
 Gates: /



Part #	Y Hex	T	L	L1
FF304-CX04	0.688	9/16-18	0.661	0.354
FF304-CX06	0.813	11/16-16	0.740	0.413
FF304-CX08	0.938	13/16-16	0.866	0.472
FF304-CX10	1.125	1-14	1.024	0.531
FF304-CX12	1.375	1-3/16-12	1.122	0.590
FF304-CX16	1.625	1-7/16-12	1.161	0.630
FF304-CX20	1.875	1-11/16-12	1.161	0.630
FF304-CX24	2.250	2-12	1.161	0.630

Description: **ORFS CAP INSERT ONLY**
 Part No.: **FF304**
 Stainless Part No.: **FF304-PLG-SS**

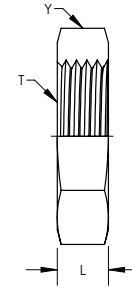
Parker: /
 Weatherhead: 4129PLG
 Aeroquip: /
 Gates: /



Part #	D	D1	D2	L	L1
FF304-PLGX04	0.502	0.402	0.502	0.354	0.157
FF304-PLGX06	0.620	0.522	0.620	0.413	0.177
FF304-PLGX08	0.744	0.642	0.744	0.472	0.197
FF304-PLGX10	0.923	0.817	0.890	0.531	0.236
FF304-PLGX12	1.096	0.935	1.063	0.591	0.256
FF304-PLGX16	1.346	1.130	1.313	0.630	0.276
FF304-PLGX20	1.596	1.402	1.563	0.630	0.276
FF304-PLGX24	1.909	1.715	1.876	0.630	0.276

Description: **BULKHEAD LOCKNUT**
 Part No.: **FS0306**
 Stainless Part No.: **FS0306-SS**

Parker: **WLNL**
 Weatherhead: **4925**
 Aeroquip: **FF9768**
 Gates: **/**

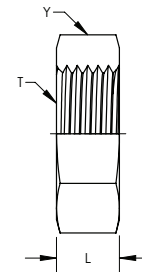


Part #	Y Hex	T	L
FS0306X04	0.813	9/16-18	0.275
FS0306X06	1.000	11/16-16	0.315
FS0306X08	1.125	13/16-16	0.354
FS0306X10	1.313	1-14	0.413
FS0306X12	1.500	1-3/16-12	0.413
FS0306X16	1.750	1-7/16-12	0.413
FS0306X20	2.000	1-11/16-12	0.413
FS0306X24	2.375	2-12	0.413



Description: **STRAIGHT THREAD LOCKNUT**
 Part No.: **FS0306-N**
 Stainless Part No.: **FS0306-N-SS**

Parker: **/**
 Weatherhead: **4924**
 Aeroquip: **/**
 Gates: **/**

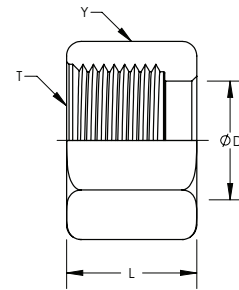


Part #	Y Hex	T	L
FS0306-NX04	0.625	7/16-20	0.315
FS0306-NX06	0.750	9/16-18	0.335
FS0306-NX08	0.938	3/4-16	0.405
FS0306-NX10	1.063	7/8-14	0.453
FS0306-NX12	1.375	1-1/16-12	0.504
FS0306-NX16	1.625	1-5/16-12	0.535
FS0306-NX20	1.875	1-5/8-12	0.535
FS0306-NX24	2.125	1-7/8-12	0.535

"O" RING FACE SEAL FITTINGS

Description: **STANDARD NUT PLAIN FINISH**
 Part No.: **FS0318**
 Stainless Part No.: **FS0318-SS**

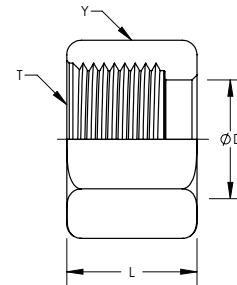
Parker: **BL**
 Weatherhead: **4105**
 Aeroquip: **FC2326**
 Gates: **/**



Part #	Y Hex	T	D	L
FS0318X04	0.688	9/16-18	0.413	0.590
FS0318X06	0.813	11/16-16	0.533	0.669
FS0318X08	0.938	13/16-16	0.653	0.787
FS0318X10	1.125	1-14	0.831	0.945
FS0318X12	1.375	1-3/16-12	0.951	1.043
FS0318X16	1.625	1-7/16-12	1.146	1.083
FS0318X20	1.875	1-11/16-12	1.417	1.083
FS0318X24	2.250	2-12	1.732	1.083

Description: **METRIC HEX NUT-PLAIN FINISH**
 Part No.: **MFS0318**
 Stainless Part No.: **MFS0318-SS**

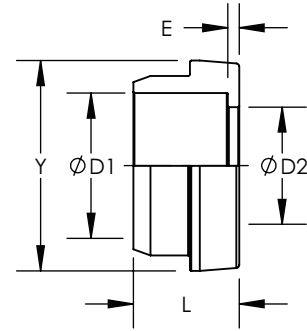
Parker: **BML**
 Weatherhead: **4105MH**
 Aeroquip: **/**
 Gates: **/**



Part #	Y Hex	T	D	L
MFS0318X06M	0.866	11/16-16	0.533	0.669
MFS0318X08M	0.945	13/16-16	0.653	0.787
MFS0318X10M	1.181	1-14	0.831	0.945
MFS0318X12M	1.417	1-3/16-12	0.951	1.043
MFS0318X16M	1.614	1-7/16-12	1.146	1.083
MFS0318X20M	1.969	1-11/16-12	1.417	1.083
MFS0318X24M	2.362	2-12	1.732	1.083

Description: **STANDARD SLEEVE PLAIN FINISH**
 Part No.: **FS0319**
 Stainless Part No.: **FS0319-SS**

Parker: TL
 Weatherhead: 4165
 Aeroquip: /
 Gates: /

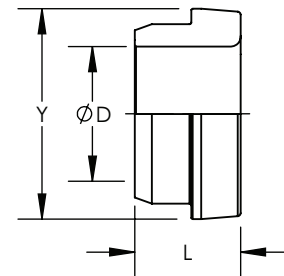


Part #	Y Hex	T	D	L
FS0319X04	0.688	9/16-18	0.413	0.590
FS0319X06	0.813	11/16-16	0.533	0.669
FS0319X08	0.938	13/16-16	0.653	0.787
FS0319X10	1.125	1-14	0.831	0.945
FS0319X12	1.375	1-3/16-12	0.951	1.043
FS0319X16	1.625	1-7/16-12	1.146	1.083
FS0319X20	1.875	1-11/16-12	1.417	1.083
FS0319X24	2.250	2-12	1.732	1.083



Description: **MECHANICAL SLEEVE**
 Part No.: **FS0319PF**
 Stainless Part No.: **FS0319PF-SS**

Parker: TPL
 Weatherhead: 4165PF
 Aeroquip: /
 Gates: /

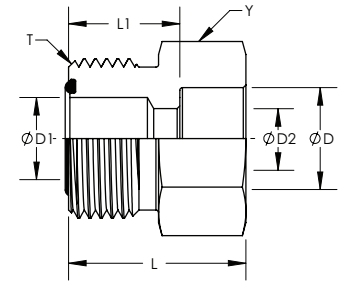


Part #	Y	D	L
FS0319PFX04	0.502	0.256	0.295
FS0319PFX06	0.620	0.381	0.332
FS0319PFX08	0.744	0.506	0.415
FS0319PFX10	0.923	0.631	0.415
FS0319PFX12	1.096	0.757	0.475
FS0319PFX16	1.346	1.007	0.529
FS0319PFX20	1.596	1.258	0.551
FS0319PFX24	1.909	1.508	0.532

"O" RING FACE SEAL FITTINGS

Description: **BRAZE-ON STRAIGHT**
 Part No.: **FS0403**
 Stainless Part No.: **FS0403-SS**

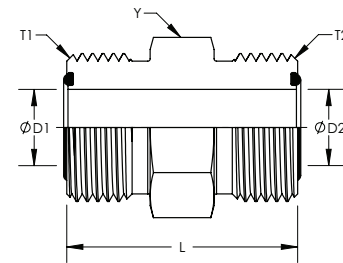
Parker: LOHB3
 Weatherhead: 4315
 Aeroquip: FF1851T
 Gates: /



Part #	Y Hex	T	D	D1	D2	L	L1
FS0403X04X04	0.625	9/16-18	0.256	0.177	0.177	0.866	0.531
FS0403X04X05	0.625	9/16-18	0.318	0.177	0.177	0.866	0.531
FS0403X04X06	0.625	9/16-18	0.381	0.177	0.177	0.866	0.531
FS0403X06X04	0.750	11/16-16	0.256	0.177	0.177	0.905	0.571
FS0403X06X06	0.750	11/16-16	0.381	0.256	0.256	0.905	0.571
FS0403X06X08	0.750	11/16-16	0.506	0.256	0.256	0.905	0.571
FS0403X08X06	0.875	13/16-16	0.381	0.256	0.256	0.964	0.630
FS0403X08X08	0.875	13/16-16	0.506	0.374	0.374	0.964	0.630
FS0403X08X10	0.875	13/16-16	0.631	0.374	0.374	0.964	0.630
FS0403X08X12	1.063	13/16-16	0.757	0.374	0.374	1.130	0.630
FS0403X10X10	1.063	1-14	0.631	0.492	0.492	1.102	0.748
FS0403X10X12	1.063	1-14	0.757	0.492	0.492	1.240	0.748
FS0403X12X10	1.250	1-3/16-12	0.631	0.610	0.492	1.181	0.827
FS0403X12X12	1.250	1-3/16-12	0.757	0.610	0.610	1.319	0.827
FS0403X12X14	1.375	1-3/16-12	0.882	0.610	0.610	1.322	0.827
FS0403X12X16	1.250	1-3/16-12	1.007	0.610	0.610	1.378	0.827
FS0403X16X12	1.500	1-7/16-12	0.757	0.807	0.610	1.457	0.964
FS0403X16X16	1.500	1-7/16-12	1.007	0.807	0.807	1.516	0.964
FS0403X16X20	1.750	1-7/16-12	1.258	0.807	0.807	1.516	0.964
FS0403X20X16	1.750	1-11/16-12	1.007	1.024	0.807	1.516	0.964
FS0403X20X20	1.750	1-11/16-12	1.258	1.024	1.024	1.516	0.964
FS0403X20X24	2.125	1-11/16-12	1.508	1.024	1.024	1.516	0.964
FS0403X24X24	2.125	2-12	1.508	1.260	1.260	1.516	0.964

Description: **UNION STRAIGHT**
 Part No.: **FS2403**
 Stainless Part No.: **FS2403-SS**

Parker: HLO
 Weatherhead: 4305
 Aeroquip: FF2000T
 Gates: /



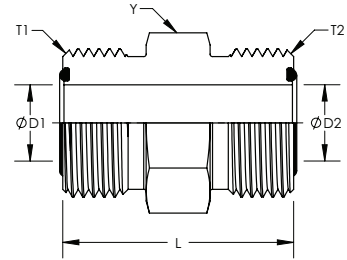
Part #	Y Hex	T1	D1	T2	D2	L
FS2403X04X04	0.625	9/16-18	0.177	9/16-18	0.177	1.083
FS2403X06X04	0.750	11/16-16	0.256	9/16-18	0.177	1.181
FS2403X06X06	0.750	11/16-16	0.256	11/16-16	0.256	1.220
FS2403X08X06	0.875	13/16-16	0.374	11/16-16	0.256	1.319
FS2403X08X08	0.875	13/16-16	0.374	13/16-16	0.374	1.398
FS2403X10X08	1.063	1-14	0.492	13/16-16	0.374	1.575
FS2403X10X10	1.063	1-14	0.492	1-14	0.492	1.673
FS2403X12X08	1.250	1-3/16-12	0.610	13/16-16	0.374	1.693
FS2403X12X10	1.250	1-3/16-12	0.610	1-14	0.492	1.791

Continued on page 115

Continued from page 58

Description: **BRAZE-ON STRAIGHT**
 Part No.: **FS2403**
 Stainless Part No.: **FS2403-SS**

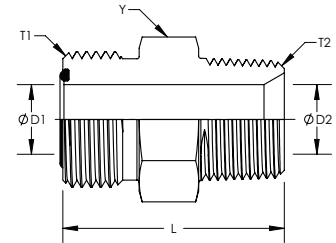
Parker: HLO
 Weatherhead: 4305
 Aeroquip: FF2000T
 Gates: /



Part #	Y Hex	T1	D1	T2	D2	L
FS2403X12X12	1.250	1-3/16-12	0.610	1-3/16-12	0.610	1.850
FS2403X16X12	1.500	1-7/16-12	0.807	1-3/16-12	0.610	1.929
FS2403X16X16	1.500	1-7/16-12	0.807	1-7/16-12	0.807	1.949
FS2403X20X16	1.750	1-11/16-12	1.024	1-7/16-12	0.807	2.027
FS2403X20X20	1.750	1-11/16-12	1.024	1-11/16-12	1.024	2.027
FS2403X24X20	2.125	2-12	1.260	1-11/16-12	1.024	2.087
FS2403X24X24	2.125	2-12	1.260	2-12	1.260	2.087

Description: **MALE CONNECTOR**
 Part No.: **FS2404**
 Stainless Part No.: **FS2404-SS**

Parker: FLO
 Weatherhead: 4205
 Aeroquip: FF2031T
 Gates: MFFOR-MP

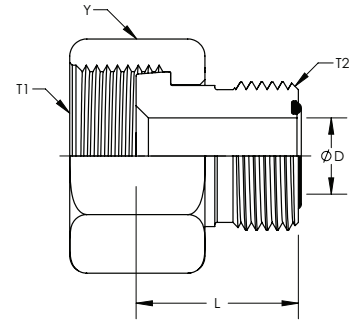


Part #	Y Hex	T1	D1	T2	D2	L
FS2404X04X02	0.625	9/16-18	0.177	1/8-27	0.188	1.080
FS2404X04X04	0.625	9/16-18	0.177	1/4-18	0.281	1.260
FS2404X04X06	0.750	9/16-18	0.177	3/8-18	0.406	1.320
FS2404X04X08	0.875	9/16-18	0.177	1/2-14	0.531	1.520
FS2404X06X02	0.750	11/16-16	0.256	1/8-27	0.188	1.160
FS2404X06X04	0.750	11/16-16	0.256	1/4-18	0.281	1.340
FS2404X06X06	0.750	11/16-16	0.256	3/8-18	0.406	1.340
FS2404X06X08	0.875	11/16-16	0.256	1/2-14	0.531	1.540
FS2404X08X04	0.875	13/16-16	0.374	1/4-18	0.281	1.450
FS2404X08X06	0.875	13/16-16	0.374	3/8-18	0.406	1.450
FS2404X08X08	0.875	13/16-16	0.374	1/2-14	0.531	1.640
FS2404X08X12	1.125	13/16-16	0.374	3/4-14	0.719	1.690
FS2404X08X16	1.375	13/16-16	0.374	1-11-1/2	0.938	1.900
FS2404X10X08	1.063	1-14	0.492	1/2-14	0.531	1.820
FS2404X10X12	1.125	1-14	0.492	3/4-14	0.719	1.850
FS2404X12X08	1.250	1-3/16-12	0.610	1/2-14	0.531	1.930
FS2404X12X12	1.250	1-3/16-12	0.610	3/4-14	0.719	1.940
FS2404X12X16	1.375	1-3/16-12	0.610	1-11-1/2	0.938	2.060
FS2404X16X12	1.500	1-7/16-12	0.807	3/4-14	0.719	2.000
FS2404X16X16	1.500	1-7/16-12	0.807	1-11-1/2	0.938	2.190
FS2404X16X20	1.688	1-7/16-12	0.807	1-1/4-11-1/2	1.250	2.244
FS2404X20X12	1.750	1-11/16-12	1.024	3/4-14	0.719	2.080
FS2404X20X16	1.750	1-11/16-12	1.024	1-11-1/2	0.938	2.270
FS2404X20X20	1.750	1-11/16-12	1.024	1-1/4-11-1/2	1.250	2.300
FS2404X24X24	2.125	2-12	1.260	1-1/2-11-1/2	1.500	2.440

"O" RING FACE SEAL FITTINGS

Description: **REDUCER**
 Part No.: **FS2406**
 Stainless Part No.: **FS2406-SS**

Parker: **TRLON**
 Weatherhead: **4015**
 Aeroquip: **FF2281T**
 Gates: **/**

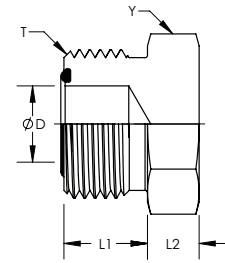


C

Part #	Y Hex	T1	D	T2	L
FS2406X06X04	0.813	11/16-16	0.177	9/16-18	0.768
FS2406X08X04	0.938	13/16-16	0.177	9/16-18	0.866
FS2406X08X06	0.938	13/16-16	0.256	11/16-16	0.886
FS2406X10X04	1.125	1-14	0.177	9/16-18	0.906
FS2406X10X06	1.125	1-14	0.256	11-16-16	0.945
FS2406X10X08	1.125	1-14	0.374	13/16-16	1.004
FS2406X12X04	1.375	1-3/16-12	0.177	9/16-18	0.984
FS2406X12X06	1.375	1-3/16-12	0.256	11/16-16	1.024
FS2406X12X08	1.375	1-3/16-12	0.374	13/16-16	1.083
FS2406X12X10	1.375	1-3/16-12	0.492	1-14	1.161
FS2406X12X16	1.375	1-3/16-12	0.610	1-7/16-12	1.239
FS2406X16X08	1.625	1-7/16-12	0.374	13/16-16	1.150
FS2406X16X10	1.625	1-7/16-12	0.492	1-14	1.260
FS2406X16X12	1.625	1-7/16-12	0.610	1-3/16-12	1.299
FS2406X20X12	1.875	1-11/16-12	0.610	1-3/16-12	1.319
FS2406X20X16	1.875	1-11/16-12	0.807	1-7/16-12	1.338
FS2406X20X24	1.875	1-11/16-12	1.024	2-12	1.514
FS2406X24X12	2.250	2-12	0.610	1-3/16-12	1.321
FS2406X24X16	2.250	2-12	0.807	1-7/16-12	1.338
FS2406X24X20	2.250	2-12	1.024	1-11/16-12	1.338

Description: **PLUG**
Part No.: **FS2408**
Stainless Part No.: **FS2408-SS**

Parker: PNLO
Weatherhead: 4229
Aeroquip: FF9767
Gates: MFFOR-PLUG

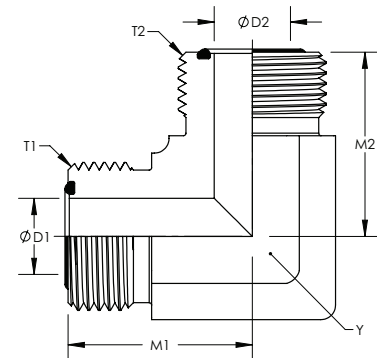


Part #	Y Hex	T	D	L1	L2
FS2408X04	0.625	9/16-18	0.177	0.394	0.256
FS2408X06	0.750	11/16-16	0.256	0.433	0.315
FS2408X08	0.875	13/16-16	0.374	0.512	0.354
FS2408X10	1.063	1-14	0.492	0.610	0.413
FS2408X12	1.250	1-3/16-12	0.610	0.669	0.413
FS2408X16	1.500	1-7/16-12	0.807	0.689	0.413
FS2408X20	1.750	1-11/16-12	1.024	0.689	0.413
FS2408X24	2.125	2-12	1.260	0.689	0.413



Description: **90° UNION ELBOW**
Part No.: **FS2500**
Stainless Part No.: **FS2500-SS**

Parker: ELO
Weatherhead: 4505
Aeroquip: FF2035T
Gates: /

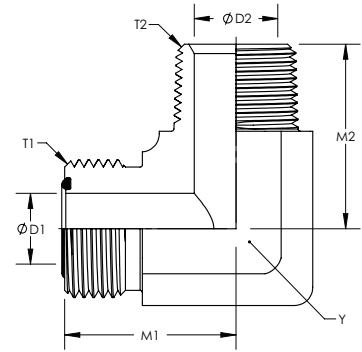


Part #	Y Hex	T1	M1	D1	T2	M2	D2
FS2500X04X04	0.563	9/16-18	0.846	0.177	9/16-18	0.846	0.177
FS2500X06X04	0.669	11/16-16	0.984	0.256	9/16-18	0.925	0.177
FS2500X06X06	0.669	11/16-16	0.984	0.256	11/16-16	0.984	0.256
FS2500X08X08	0.750	13/16-16	1.102	0.374	13/16-16	1.102	0.374
FS2500X10X10	1.063	1-14	1.319	0.492	1-14	1.319	0.492
FS2500X12X08	1.188	1-3/16-12	1.476	0.610	13/16-16	1.338	0.374
FS2500X12X12	1.188	1-3/16-12	1.476	0.610	1-3/16-12	1.476	0.610
FS2500X16X16	1.438	1-7/16-12	1.634	0.807	1-7/16-12	1.634	0.807
FS2500X20X20	1.625	1-11/16-12	1.752	1.024	1-11/16-12	1.752	1.024
FS2500X24X24	1.875	2-12	1.929	1.260	2-12	1.929	1.260

"O" RING FACE SEAL FITTINGS

Description: **90° MALE ELBOW**
 Part No.: **FS2501**
 Stainless Part No.: **FS2501-SS**

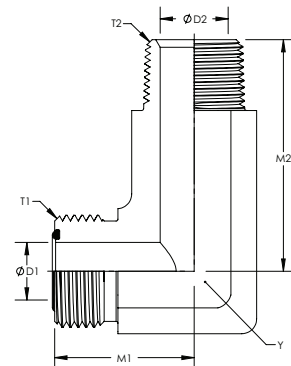
Parker: CLO
 Weatherhead: 4405
 Aeroquip: /
 Gates: /



Part #	Y Hex	T1	M1	D1	T2	M2	D2
FS2501X04X02	0.563	9/16-18	0.846	0.177	1/8-27	0.800	0.188
FS2501X04X04	0.563	9/16-18	0.846	0.177	1/4-18	1.120	0.281
FS2501X04X06	0.750	9/16-18	0.972	0.177	3/8-18	1.220	0.406
FS2501X04X08	0.875	9/16-18	1.070	0.177	1/2-14	1.470	0.531
FS2501X06X04	0.669	11/16-16	0.984	0.256	1/4-18	1.090	0.281
FS2501X06X06	0.750	11/16-16	0.984	0.256	3/8-18	1.220	0.406
FS2501X06X08	0.875	11/16-16	1.150	0.256	1/2-14	1.470	0.531
FS2501X08X04	0.750	13/16-16	1.102	0.374	1/4-18	1.220	0.281
FS2501X08X06	0.750	13/16-16	1.102	0.374	3/8-18	1.220	0.406
FS2501X08X08	0.875	13/16-16	1.102	0.374	1/2-14	1.470	0.531
FS2501X08X12	1.063	13/16-16	1.327	0.374	3/4-14	1.590	0.719
FS2501X10X08	1.063	1-14	1.319	0.492	1/2-14	1.470	0.531
FS2501X10X12	1.188	1-14	1.410	0.492	3/4-14	1.590	0.719
FS2501X10X16	1.313	1-14	1.555	0.492	1-11-1/2	1.970	0.938
FS2501X12X08	1.188	1-3/16-12	1.476	0.610	1/2-14	1.590	0.531
FS2501X12X12	1.188	1-3/16-12	1.476	0.610	3/4-14	1.590	0.719
FS2501X12X16	1.313	1-3/16-12	1.620	0.610	1-11-1/2	1.970	0.938
FS2501X16X12	1.438	1-7/16-12	1.634	0.807	3/4-14	1.780	0.719
FS2501X16X16	1.438	1-7/16-12	1.634	0.807	1-11-1/2	1.970	0.938
FS2501X20X16	1.625	1-11/16-12	1.752	1.024	1-11-1/2	2.350	0.938
FS2501X20X20	1.625	1-11/16-12	1.752	1.024	1-1/4-11-1/2	2.380	1.250

Description: **90° MALE ELBOW LONG**
 Part No.: **FS2501-L**
 Stainless Part No.: **FS2501-L-SS**

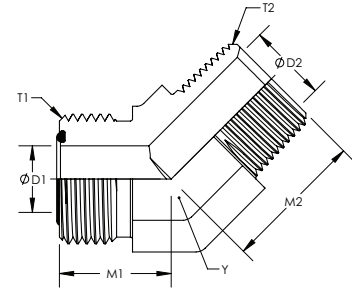
Parker: /
 Weatherhead: 4405L
 Aeroquip: /
 Gates: /



Part #	Y Hex	T1	M1	D1	T2	M2	D2
FS2501-LX08X08L	0.875	13/16-16	1.102	0.374	1/2-14	1.820	0.531
FS2501-LX12X12L	1.188	1-3/16-12	1.476	0.610	3/4-14	2.440	0.719

Description: **45° MALE ELBOW**
Part No.: **FS2503**
Stainless Part No.: **FS2503-SS**

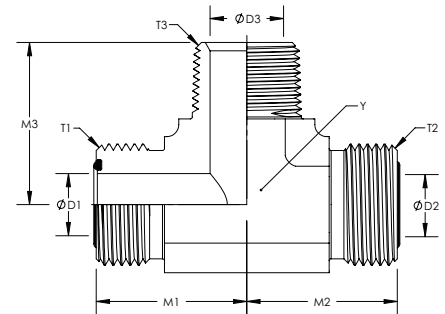
Parker: VLO
Weatherhead: 4355
Aeroquip: FS2503
Gates: /



Part #	Y Hex	T1	M1	D1	T2	M2	D2
FS2503X04X02	0.563	9/16-18	0.630	0.177	1/8-27	0.640	0.188
FS2503X04X04	0.563	9/16-18	0.630	0.177	1/4-18	0.860	0.281
FS2503X06X02	0.669	11/16-16	0.748	0.256	1/8-27	0.640	0.188
FS2503X06X04	0.669	11/16-16	0.748	0.256	1/4-18	0.860	0.281
FS2503X06X06	0.750	11/16-16	0.748	0.256	3/8-18	0.950	0.406
FS2503X06X08	0.875	11/16-16	0.748	0.256	1/2-14	1.170	0.531
FS2503X08X06	0.750	13/16-16	0.800	0.374	3/8-18	0.950	0.406
FS2503X08X08	0.875	13/16-16	0.860	0.374	1/2-14	1.170	0.531
FS2503X08X12	1.063	13/16-16	0.860	0.374	3/4-14	1.300	0.719
FS2503X10X08	1.063	1-14	0.925	0.492	1/2-14	1.170	0.531
FS2503X12X08	1.188	1-3/16-12	1.024	0.610	1/2-14	1.170	0.531
FS2503X12X12	1.188	1-3/16-12	1.024	0.610	3/4-14	1.300	0.719
FS2503X16X16	1.438	1-7/16-12	1.181	0.807	1-11-1/2	1.480	0.938
FS2503X20X20	1.625	1-11/16-12	1.260	1.024	1-1/4-11-1/2	1.670	1.250

Description: **MALE BRANCH TEE**
Part No.: **FS2601**
Stainless Part No.: **FS2601-SS**

Parker: SLO
Weatherhead: 4605
Aeroquip: FF2001T
Gates: /

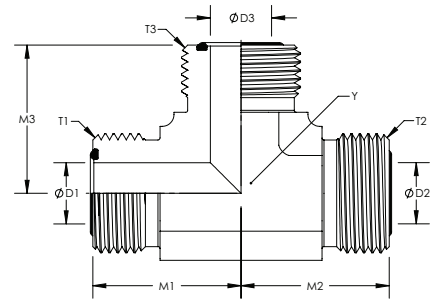


Part #	Y Hex	T1	M1	D1	T2	M2	D2	T3	M3	D3
FS2601X20X20X20	1.625	1-11/16-12	1.752	1.024	1-11/16-12	1.752	1.024	1-1/4-11-1/2	2.380	1.250
FS2601X16X16X16	1.438	1-7/16-12	1.634	0.807	1-7/16-12	1.634	0.807	1-11-1/2	1.970	0.938
FS2601X12X12X12	1.188	1-3/16-12	1.476	0.610	1-3/16-12	1.476	0.610	3/4-14	1.590	0.719
FS2601X08X08X08	0.875	13/16-16	1.102	0.374	13/16-16	1.102	0.374	1/2-14	1.470	0.531
FS2601X08X08X06	0.750	13/16-16	1.102	0.374	13/16-16	1.102	0.374	3/8-18	1.220	0.406
FS2601X06X06X06	0.750	11/16-16	0.984	0.256	11/16-16	0.984	0.256	3/8-18	1.220	0.406
FS2601X06X06X04	0.669	11/16-16	0.984	0.256	11/16-16	0.984	0.256	1/4-18	1.090	0.281
FS2601X04X04X04	0.563	9/16-18	0.846	0.177	9/16-18	0.846	0.177	1/4-18	1.090	0.281

"O" RING FACE SEAL FITTINGS

Description: **UNION TEE**
 Part No.: **FS2603**
 Stainless Part No.: **FS2603-SS**

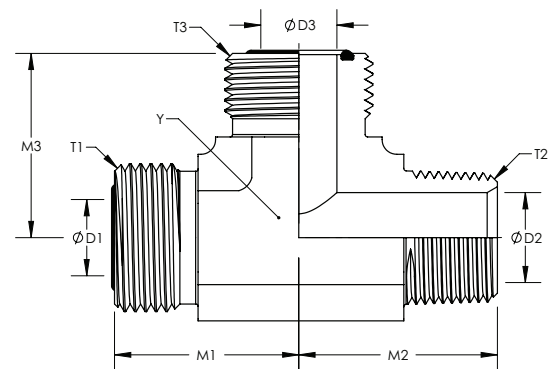
Parker: JLO
 Weatherhead: 4705
 Aeroquip: FF1898T
 Gates: /



Part #	Y Hex	T1	M1	D1	T2	M2	D2	T3	M3	D3
FS2603X04X04X04	0.563	9/16-18	0.846	0.177	9/16-18	0.846	0.177	9/18-18	0.846	0.177
FS2603X06X06X06	0.669	11/16-16	0.984	0.256	11/16-16	0.984	0.256	11/16-16	0.984	0.256
FS2603X06X06X08	0.750	11/16-16	1.043	0.256	11/16-16	1.043	0.256	13/16-16	1.102	0.374
FS2603X08X06X08	0.750	13/16-16	1.102	0.374	11-16-16	1.043	0.256	13/16-16	1.102	0.374
FS2603X08X08X06	0.750	13/16-16	1.102	0.374	13/16-16	1.102	0.374	11/16-16	1.043	0.256
FS2603X08X08X08	0.750	13/16-16	1.102	0.374	13/16-16	1.102	0.374	13/16-16	1.102	0.374
FS2603X10X10X10	1.063	1-14	1.319	0.492	1-14	1.319	0.492	1-14	1.319	0.492
FS2603X10X10X12	1.188	1-14	1.417	0.492	1-14	1.417	0.492	1-3/16-12	1.476	0.610
FS2603X12X12X04	1.188	1-3/16-12	1.476	0.610	1-3/16-12	1.476	0.610	9/16-18	1.201	0.177
FS2603X12X12X06	1.188	1-3/16-12	1.476	0.610	1-3/16-12	1.476	0.610	11/16-16	1.280	0.256
FS2603X12X12X12	1.188	1-3/16-12	1.476	0.610	1-3/16-12	1.476	0.610	1-3/16-12	1.476	0.610
FS2603X12X12X16	1.438	1-3/16-12	1.614	0.610	1-3/16-12	1.614	0.610	1-7/16-12	1.634	0.807
FS2603X16X16X12	1.438	1-7/16-12	1.634	0.807	1-7/16-12	1.634	0.807	1-3/16-12	1.614	0.610
FS2603X16X16X16	1.438	1-7/16-12	1.634	0.807	1-7/16-12	1.634	0.807	1-7/16-12	1.634	0.807
FS2603X20X20X16	1.625	1-11/16-12	1.752	1.024	1-11/16-12	1.752	1.024	1-7/16-12	1.752	0.807
FS2603X20X20X20	1.625	1-11/16-12	1.752	1.024	1-11/16-12	1.752	1.024	1-11/16-12	1.752	1.024
FS2603X24X24X24	1.875	2-12	1.929	1.260	2-12	1.929	1.260	2-12	1.929	1.260

Description: **MALE RUN TEE**
 Part No.: **FS2605**
 WWF Stainless Part No.: **FS2605-SS**

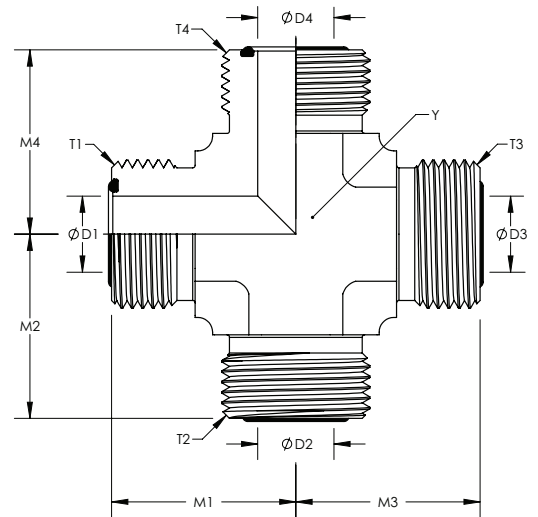
Parker: /
 Weatherhead: 4755
 Aeroquip: /
 Gates: /



Part #	Y Hex	T	T1	M1	D1	T2	M2	D2	T3	M3	D3
FS2605X04X04X04	0.563	9/16-18	9/16-18	0.846	0.177	1/4-18	1.090	0.281	9/16-18	0.846	0.177
FS2605X06X04X06	0.669	11/16-16	11/16-16	0.980	0.256	1/4-18	1.090	0.281	11/16-16	0.980	0.256
FS2605X06X06X06	0.750	11/16-16	11/16-16	0.980	0.256	3/8-18	1.220	0.406	11/16-16	0.980	0.256
FS2605X08X08X08	0.875	13/16-16	13/16-16	1.102	0.374	1/2-14	1.470	0.531	13/16-16	1.102	0.374

Description: **UNION CROSS**
 Part No.: **FS2650**
 Stainless Part No.: **FS2650-SS**

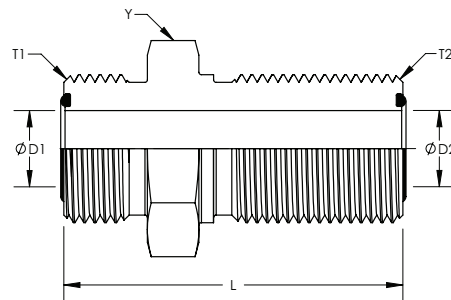
Parker: KLO
 Weatherhead: 4955
 Aeroquip: /
 Gates: /



Part #	Y Hex	T	T1	M1	D1	T2	M2	D2	T3	M3	D3
FS2650X04X04X04	0.563	9/16-18	9/16-18	0.846	0.177	1/4-18	1.090	0.281	9/16-18	0.846	0.177
FS2650X06X04X06	0.669	11/16-16	11/16-16	0.980	0.256	1/4-18	1.090	0.281	11/16-16	0.980	0.256
FS2650X06X06X06	0.750	11/16-16	11/16-16	0.980	0.256	3/8-18	1.220	0.406	11/16-16	0.980	0.256
FS2650X08X08X08	0.875	13/16-16	13/16-16	1.102	0.374	1/2-14	1.470	0.531	13/16-16	1.102	0.374

Description: **BULKHEAD STRAIGHT**
 Part No.: **FS2700**
 Stainless Part No.: **FS2700-SS**

Parker: WLO
 Weatherhead: 4325
 Aeroquip: /
 Gates: /

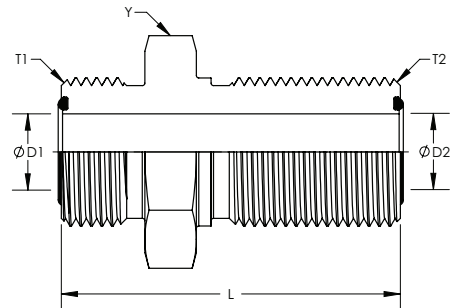


Part #	Y Hex	T1	D1	T2	D2	L
FS2700X04X04	0.813	9/16-18	0.177	9/16-18	0.177	1.890
FS2700X06X06	1.000	11/16-16	0.256	11/16-16	0.256	2.087
FS2700X06X08	1.125	11/16-16	0.256	13/16-16	0.374	2.224
FS2700X08X08	1.125	13/16-16	0.374	13/16-16	0.374	2.303
FS2700X08X10	1.313	13/16-16	0.374	1-14	0.492	2.520
FS2700X10X08	1.313	1-14	0.492	13/16-16	0.374	2.461
FS2700X10X10	1.313	1-14	0.492	1-14	0.492	2.618
FS2700X12X12	1.500	1-3/16-12	0.610	1-3/16-12	0.610	2.716
FS2700X16X12	1.750	1-7/16-12	0.807	1-3/16-12	0.610	2.736
FS2700X16X16	1.750	1-7/16-12	0.807	1-7/16-12	0.807	2.756
FS2700X20X20	2.000	1-11/16-12	1.024	1-11/16-12	1.024	2.756
FS2700X24X24	2.375	2-12	1.260	2-12	1.260	2.756

"O" RING FACE SEAL FITTINGS

Description: **BULKHEAD STRAIGHT METRIC HEX**
 Part No.: **FS2700-H**
 Stainless Part No.: **FS2700-H-SS**

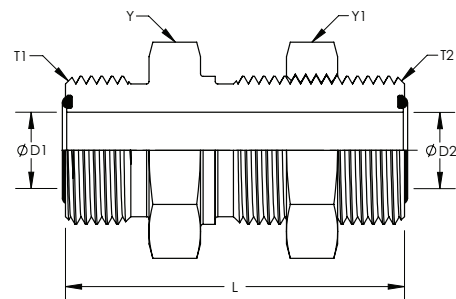
Parker: WMLO
 Weatherhead: 4325MH
 Aeroquip: /
 Gates: /



Part #	Y Hex	T1	D1	T2	D2	L
FS2700-HX04X04MH	0.866	9/16-18	0.177	9/16-18	0.177	1.890
FS2700-HX06X06MH	1.063	11/16-16	0.256	11/16-16	0.256	2.087
FS2700-HX08X08MH	1.181	13/16-16	0.374	13/16-16	0.374	2.303
FS2700-HX10X10MH	1.417	1-14	0.492	1-14	0.492	2.618
FS2700-HX12X12MH	1.614	1-3/16-12	0.610	1-3/16-12	0.610	2.716
FS2700-HX16X16MH	1.811	1-7/16-12	0.807	1-7/16-12	0.807	2.756
FS2700-HX20X20MH	1.969	1-11/16-12	1.024	1-11/16-12	1.024	2.756

Description: **BULKHEAD STRAIGHT WITH LOCKNUT**
 Part No.: **FS2700-LN**
 Stainless Part No.: **FS2700-LN-SS**

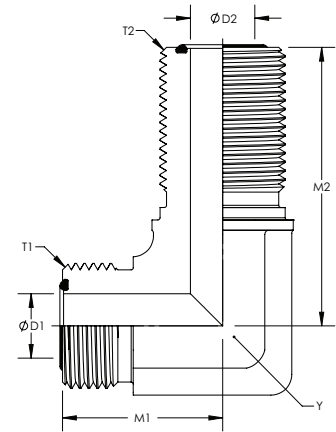
Parker: WF5OLO-WLN
 Weatherhead: 4325LN
 Aeroquip: FF1994T
 Gates: /



Part #	Y Hex	Y1 Hex	T1	D1	T2	D2	L
FS2700-LNX04X04LN	0.813	0.813	9/16-18	0.177	9/16-18	0.177	1.890
FS2700-LNX06X06LN	1.000	1.000	11/16-16	0.256	11/16-16	0.256	2.087
FS2700-LNX08X08LN	1.125	1.125	13/16-16	0.374	13/16-16	0.374	2.303
FS2700-LNX10X10LN	1.313	1.313	1-14	0.492	1-14	0.492	2.618
FS2700-LNX12X12LN	1.500	1.500	1-3/16-12	0.610	1-3/16-12	0.610	2.716
FS2700-LNX16X16LN	1.750	1.750	1-7/16-12	0.807	1-7/16-12	0.807	2.756
FS2700-LNX20X20LN	2.000	2.000	1-11/16-12	1.024	1-11/16-12	1.024	2.756
FS2700-LNX24X24LN	2.375	2.375	2-12	1.260	2-12	1.260	2.756

Description: **90° BULKHEAD ELBOW**
 Part No.: **FS2701**
 Stainless Part No.: **FS2701-SS**

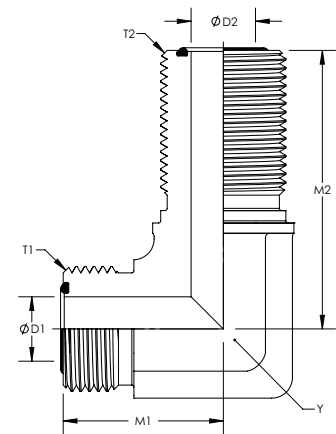
Parker: **WELO**
 Weatherhead: **4525**
 Aeroquip: **/**
 Gates: **/**



Part #	Y Hex	T1	M1	D1	T2	M2	D2
FS2701X04X04	0.563	9/16-18	0.886	0.177	9/16-18	1.850	0.177
FS2701X06X06	0.669	11/16-16	1.023	0.256	11/16-16	2.047	0.256
FS2701X08X08	0.750	13/16-16	1.142	0.374	13/16-16	2.185	0.374
FS2701X10X10	1.063	1-14	1.358	0.492	1-14	2.480	0.492
FS2701X12X12	1.188	1-3/16-12	1.516	0.610	1-3/16-12	2.638	0.610
FS2701X16X16	1.438	1-7/16-12	1.673	0.807	1-7/16-12	2.795	0.807
FS2701X20X20	1.625	1-11/16-12	1.791	1.024	1-11/16-12	2.972	1.024
FS2701X24X24	1.875	2-12	1.949	1.260	2-12	3.130	1.260

Description: **90° BULKHEAD ELBOW METRIC HEX**
 Part No.: **FS2701-H**
 Stainless Part No.: **FS2701-H-SS**

Parker: **WEMLO**
 Weatherhead: **4525MH**
 Aeroquip: **/**
 Gates: **/**

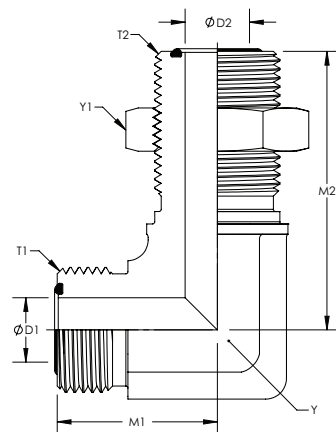


Part #	Y Hex	T1	M1	D1	T2	M2	D2
FS2701-HX10X10MH	0.945	1-14	1.358	0.492	1-14	2.480	0.492
FS2701-HX12X12MH	1.063	1-3/16-12	1.516	0.610	1-3/16-12	2.638	0.610
FS2701-HX16X16MH	1.417	1-7/16-12	1.673	0.807	1-7/16-12	2.795	0.807

"O" RING FACE SEAL FITTINGS

Description: **90° BULKHEAD ELBOW WITH LOCKNUT**
 Part No.: **FS2701-LN**
 Stainless Part No.: **FS2701-LN-SS**

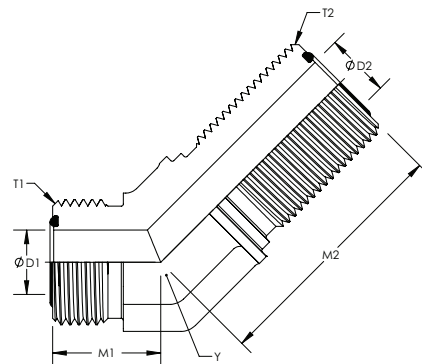
Parker: **WELO-WLN**
 Weatherhead: **4525LN**
 Aeroquip: **FF2030T**
 Gates: **/**



Part #	Y Hex	Y1 Hex	T1	M1	D1	T2	M2	D2
FS2701-LNX04X04	0.563	0.813	9/16-18	0.886	0.177	9/16-18	1.850	0.177
FS2701-LNX06X06	0.669	1.000	11/16-16	1.023	0.256	11/16-16	2.047	0.256
FS2701-LNX08X08	0.750	1.125	13/16-16	1.142	0.374	13/16-16	2.185	0.374
FS2701-LNX10X10	1.063	1.313	1-14	1.358	0.492	1-14	2.480	0.492
FS2701-LNX12X12	1.188	1.500	1-3/16-12	1.516	0.610	1-3/16-12	2.638	0.610
FS2701-LNX16X16	1.438	1.750	1-7/16-12	1.673	0.807	1-7/16-12	2.795	0.807
FS2701-LNX20X20	1.625	2.000	1-11/16-12	1.791	1.024	1-11/16-12	2.972	1.024
FS2701-LNX24X24	1.875	2.375	2-12	1.949	1.260	2-12	3.130	1.260

Description: **45° BULKHEAD ELBOW**
 Part No.: **FS2702**
 Stainless Part No.: **FS2702-SS**

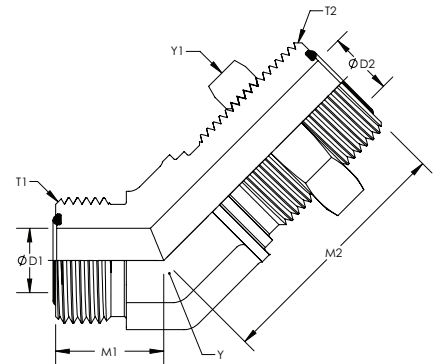
Parker: **WNLO**
 Weatherhead: **4375**
 Aeroquip: **/**
 Gates: **/**



Part #	Y Hex	T1	M1	D1	T2	M2	D2
FS2702X04X04	0.563	9/16-18	0.630	0.177	9/16-18	1.732	0.177
FS2702X06X06	0.669	11/16-16	0.748	0.256	11/16-16	1.909	0.256
FS2702X08X08	0.750	13/16-16	0.807	0.374	13/16-16	2.008	0.374
FS2702X10X08	1.063	1-14	0.925	0.492	13/16-16	2.126	0.374
FS2702X10X10	1.063	1-14	0.925	0.492	1-14	2.224	0.492
FS2702X12X12	1.188	1-3/16-12	1.024	0.610	1-3/16-12	2.382	0.610
FS2702X16X16	1.438	1-7/16-12	1.181	0.807	1-7/16-12	2.560	0.807
FS2702X20X20	1.625	1-11/16-12	1.260	1.024	1-11/16-12	2.638	1.024
FS2702X24X24	1.875	2-12	1.457	1.260	2-12	2.638	1.260

Description: **45° BULKHEAD ELBOW WITH LOCKNUT**
 Part No.: **FS2702-LN**
 Stainless Part No.: **FS2702-LN-SS**

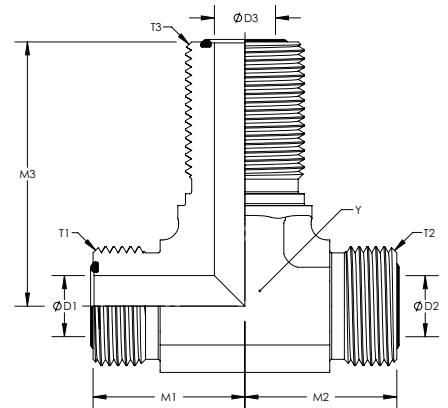
Parker: **WNLO-WLN**
 Weatherhead: **4375LN**
 Aeroquip: **FF2144T**
 Gates: **/**



Part #	Y Hex	Y1 Hex	T1	M1	D1	T2	M2	D2
FS2702-LNX04X04	0.563	0.813	9/16-18	0.630	0.177	9/16-18	1.732	0.177
FS2702-LNX06X06	0.669	1.000	11/16-16	0.748	0.256	11/16-16	1.909	0.256
FS2702-LNX08X08	0.750	1.125	13/16-16	0.807	0.374	13/16-16	2.008	0.374
FS2702-LNX10X08	1.063	1.125	1-14	0.925	0.492	13/16-16	2.126	0.374
FS2702-LNX10X10	1.063	1.313	1-14	0.925	0.492	1-14	2.224	0.492
FS2702-LNX12X12	1.188	1.500	1-3/16-12	1.024	0.610	1-3/16-12	2.382	0.610
FS2702-LNX16X16	1.438	1.750	1-7/16-12	1.181	0.807	1-7/16-12	2.560	0.807
FS2702-LNX20X20	1.625	2.000	1-11/16-12	1.260	1.024	1-11/16-12	2.638	1.024
FS2702-LNX24X24	1.875	2.375	2-12	1.457	1.260	2-12	2.638	1.260

Description: **BULKHEAD BRANCH TEE**
 Part No.: **FS2703**
 Stainless Part No.: **FS2703-SS**

Parker: **WJLO**
 Weatherhead: **4725**
 Aeroquip: **/**
 Gates: **/**

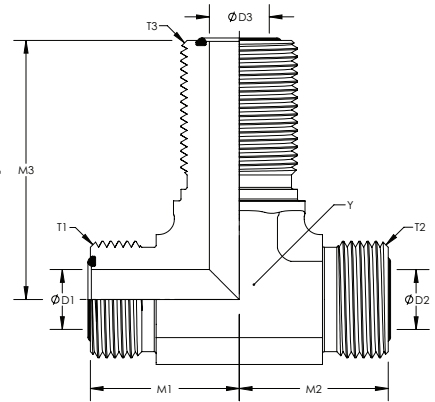


Part #	Y Hex	T1	M1	D1	T2	M2	D2
FS2703X04X04	0.563	9/16-18	0.630	0.177	9/16-18	1.732	0.177
FS2703X06X06	0.669	11/16-16	0.748	0.256	11/16-16	1.909	0.256
FS2703X08X08	0.750	13/16-16	0.807	0.374	13/16-16	2.008	0.374
FS2703X10X08	1.063	1-14	0.925	0.492	13/16-16	2.126	0.374
FS2703X10X10	1.063	1-14	0.925	0.492	1-14	2.224	0.492
FS2703X12X12	1.188	1-3/16-12	1.024	0.610	1-3/16-12	2.382	0.610
FS2703X16X16	1.438	1-7/16-12	1.181	0.807	1-7/16-12	2.560	0.807
FS2703X20X20	1.625	1-11/16-12	1.260	1.024	1-11/16-12	2.638	1.024
FS2703X24X24	1.875	2-12	1.457	1.260	2-12	2.638	1.260

"O" RING FACE SEAL FITTINGS

Description: **BULKHEAD BRANCH TEE METRIC HEX WITH LOCKNUT**
 Part No.: **FS2703-H**
 Stainless Part No.: **FS2703-H-SS**

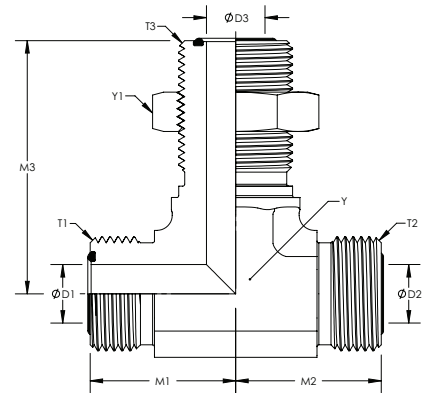
Parker: WJMLO
 Weatherhead: 4725MH
 Aeroquip: /
 Gates: /



Part #	Y Hex	Y1 Hex	T1	M1	D1	T2	M2	D2
FS2703-HX04X04	0.563	0.813	9/16-18	0.630	0.177	9/16-18	1.732	0.177
FS2703-HX06X06	0.669	1.000	11/16-16	0.748	0.256	11/16-16	1.909	0.256
FS2703-HX08X08	0.750	1.125	13/16-16	0.807	0.374	13/16-16	2.008	0.374
FS2703-HX10X08	1.063	1.125	1-14	0.925	0.492	13/16-16	2.126	0.374
FS2703-HX10X10	1.063	1.313	1-14	0.925	0.492	1-14	2.224	0.492
FS2703-HX12X12	1.188	1.500	1-3/16-12	1.024	0.610	1-3/16-12	2.382	0.610
FS2703-HX16X16	1.438	1.750	1-7/16-12	1.181	0.807	1-7/16-12	2.560	0.807
FS2703-HX20X20	1.625	2.000	1-11/16-12	1.260	1.024	1-11/16-12	2.638	1.024
FS2703-HX24X24	1.875	2.375	2-12	1.457	1.260	2-12	2.638	1.260

Description: **BULKHEAD BRANCH TEE WITH LOCKNUT**
 Part No.: **FS2703-LN**
 Stainless Part No.: **FS2703-LN-SS**

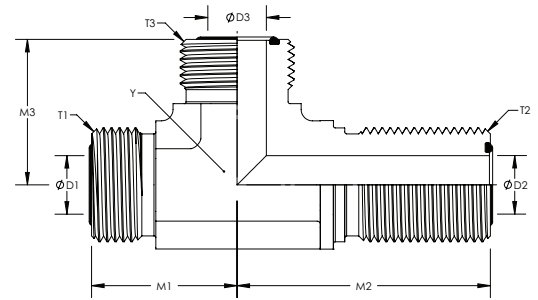
Parker: WJLO-WLN
 Weatherhead: 4725LN
 Aeroquip: FF2033T
 Gates: /



Part #	Y Hex	Y1 Hex	T1	M1	D1	T2	M2	D2	T3	M3	D3
FS2703-LNX24X24X24	1.875	2.375	2-12	1.949	1.260	2-12	1.949	1.260	2-12	3.130	1.260
FS2703-LNX20X20X20	1.625	2.000	1-11/16-12	1.791	1.024	1-11/16-12	1.791	1.024	1-11/16-12	2.972	1.024
FS2703-LNX16X16X16	1.438	1.750	1-7/16-12	1.673	0.807	1-7/16-12	1.673	0.807	1-7/16-12	2.795	0.807
FS2703-LNX12X12X12	1.188	1.500	1-3/16-12	1.516	0.610	1-3/16-12	1.516	0.610	1-3/16-12	2.637	0.610
FS2703-LNX10X10X10	1.063	1.313	1-14	1.358	0.492	1-14	1.358	0.492	1-14	2.480	0.492
FS2703-LNX08X08X08	0.750	1.125	13/16-16	1.142	0.374	13/16-16	1.142	0.374	13/16-16	2.185	0.374
FS2703-LNX06X06X06	0.669	1.000	11/16-16	1.024	0.256	11/16-16	1.024	0.256	11/16-16	2.047	0.256
FS2703-LNX04X04X04	0.563	0.813	9/16-18	0.886	0.177	9/16-18	0.886	0.177	9/16-18	1.850	0.177

Description: **BULKHEAD RUN TEE**
Part No.: **FS2704**
Stainless Part No.: **FS2704-SS**

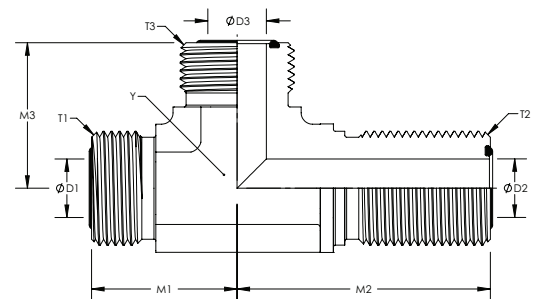
Parker: **WJJLO**
Weatherhead: **4726**
Aeroquip: **/**
Gates: **/**



Part #	Y Hex	T1	M1	D1	T2	M2	D2	T3	M3	D3
FS2704X04X04X04	0.563	9/16-18	0.886	0.177	9/16/2018	1.850	0.177	9/16/2018	0.886	0.177
FS2704X06X06X06	0.669	11/16-16	1.024	0.256	11/16/2016	2.047	0.256	11/16/2016	1.024	0.256
FS2704X08X08X08	0.750	13/16-16	1.142	0.374	13/16-16	2.185	0.374	13/16-16	1.142	0.374
FS2704X10X10X10	1.063	1-14	1.358	0.492	14-Jan	2.480	0.492	14-Jan	1.358	0.492
FS2704X12X12X12	1.188	1-3/16-12	1.516	0.610	1-3/16-12	2.637	0.610	1-3/16-12	1.516	0.610
FS2704X16X16X16	1.438	1-7/16-12	1.673	0.807	1-7/16-12	2.795	0.807	1-7/16-12	1.673	0.807
FS2704X20X20X20	1.625	1-11/16-12	1.791	1.024	1-11/16-12	2.972	1.024	1-11/16-12	1.791	1.024
FS2704X24X24X24	1.875	2-12	1.949	1.260	12-Feb	3.130	1.260	12-Feb	1.949	1.260

Description: **BULKHEAD RUN TEE METRIC HEX**
Part No.: **FS2704-H**
Stainless Part No.: **FS2704-H-SS**

Parker: **WJJMLO**
Weatherhead: **4726MH**
Aeroquip: **FF2033T**
Gates: **/**

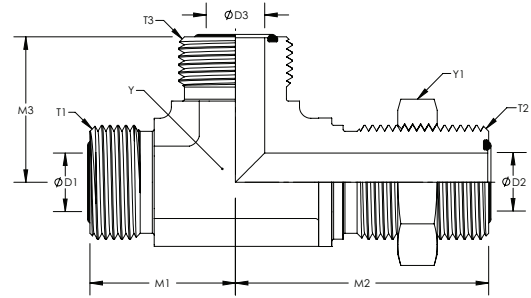


Part #	Y Hex	T1	M1	D1	T2	M2	D2	T3	M3	D3
FS2704-HX10X10X10	0.945	1-14	1.358	0.492	1-14	2.480	0.492	1-14	1.358	0.492
FS2704-HX08X08X08	0.748	13/16-16	1.142	0.374	13/16-16	2.185	0.374	13/16-16	1.142	0.374

"O" RING FACE SEAL FITTINGS

Description: **BULKHEAD RUN TEE WITH LOCKNUT**
 Part No.: **FS2704-LN**
 Stainless Part No.: **FS2704-LN-SS**

Parker: **WJJLO-WLN**
 Weatherhead: **4726LN**
 Aeroquip: **FS2033TLN**
 Gates: **/**

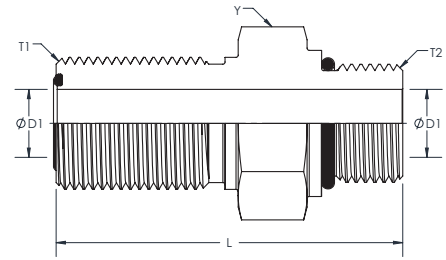


Part #	Y Hex	Y1 Hex	T1	M1	D1	T2	M2	D2	T3	M3	D3
FS2704-LNX04X04X04	0.563	0.813	9/16-18	0.886	0.177	9/16-18	1.850	0.177	9/16-18	0.886	0.177
FS2704-LNX06X06X06	0.669	1.000	11/16-16	1.024	0.256	11/16-16	2.047	0.256	11/16-16	1.024	0.256
FS2704-LNX08X08X08	0.750	1.125	13/16-16	1.142	0.374	13/16-16	2.185	0.374	13/16-16	1.142	0.374
FS2704-LNX10X10X10	1.063	1.313	1-14	1.358	0.492	1-14	2.480	0.492	1-14	1.358	0.492
FS2704-LNX12X12X12	1.188	1.500	1-3/16-12	1.516	0.610	1-3/16-12	2.637	0.610	1-3/16-12	1.516	0.610
FS2704-LNX16X16X16	1.438	1.750	1-7/16-12	1.673	0.807	1-7/16-12	2.795	0.807	1-7/16-12	1.673	0.807
FS2704-LNX20X20X20	1.625	2.000	1-11/16-12	1.791	1.024	1-11/16-12	2.972	1.024	1-11/16-12	1.791	1.024
FS2704-LNX24X24X24	1.875	2.375	2-12	1.949	1.260	2-12	3.130	1.260	2-12	1.949	1.260

C

Description: **BULKHEAD TO ORB STRAIGHT**
 Part No.: **FS2764**
 Stainless Part No.: **FS2764-SS**

Parker: **WF5OLO**
 Weatherhead: **FS2764**
 Aeroquip: **/**
 Gates: **/**

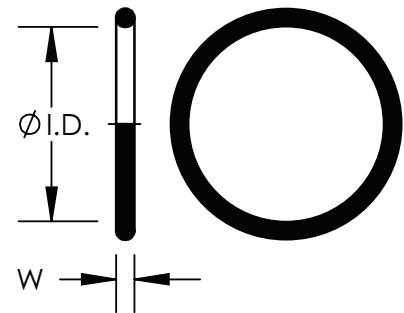


Part #	Y Hex	T1	D1	T2	D2	L
FS2764X04X04	0.813	9/16-18	0.177	7/16-20	0.177	2.311
FS2764X06X06	1.000	11/16-16	0.256	9/16-16	0.256	2.570
FS2764X08X08	1.125	13/16-16	0.374	3/4-16	0.374	2.910
FS2764X10X10	1.312	1-14	0.492	7/8-14	0.492	3.110
FS2764X12X12	1.500	1-3/16-12	0.610	1-1/16-12	0.610	3.220
FS2764X16X16	1.750	1-7/16-12	0.807	1-5/16-12	0.807	3.300
FS2764X20X20	2.000	1-11/16-12	1.024	1-5/8-12	1.024	3.300
FS2764X24X24	2.375	2-12	1.260	1-7/8-12	1.260	0.000



Description: **O RING**
 Part No.: **FS4000**

Parker: **14**
 Weatherhead: **4629**
 Aeroquip: **45**
 Gates: **ORFF**

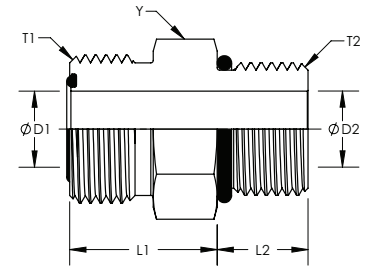


Part #	I.D.	W
FS4000X04	0.301	0.070
FS4000X06	0.364	0.070
FS4000X08	0.489	0.070
FS4000X10	0.614	0.070
FS4000X12	0.739	0.070
FS4000X16	0.926	0.070
FS4000X20	1.176	0.070
FS4000X24	1.489	0.070

"O" RING FACE SEAL FITTINGS

Description: **STUD STRAIGHT**
 Part No.: **FS6400**
 Stainless Part No.: **FS6400-SS**

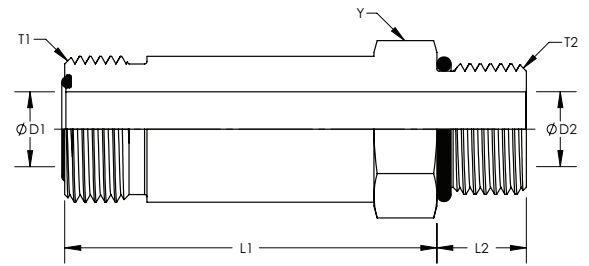
Parker: **F5OLO**
 Weatherhead: **4314**
 Aeroquip: **FF1852T**
 Gates: **MFFOR-MB**



Part #	Y Hex	T1	D1	T2	D2	L1	L2
FS6400X04X04	0.625	9/16-18	0.177	7/16-20	0.177	0.709	0.433
FS6400X04X05	0.625	9/16-18	0.177	1/2-20	0.236	0.728	0.433
FS6400X04X06	0.750	9/16-18	0.177	9/16-18	0.295	0.748	0.472
FS6400X04X08	0.875	9/16-18	0.177	3/4-16	0.394	0.768	0.551
FS6400X04X10	1.063	9/16-18	0.177	7/8-14	0.492	0.846	0.630
FS6400X06X04	0.750	11/16-16	0.256	7/16-20	0.177	0.905	0.433
FS6400X06X05	0.750	11/16-16	0.256	1/2-20	0.236	0.787	0.433
FS6400X06X06	0.750	11/16-16	0.256	9/16-18	0.295	0.787	0.472
FS6400X06X08	0.875	11/16-16	0.256	3/4-16	0.394	0.807	0.551
FS6400X06X10	1.063	11/16-16	0.256	7/8-14	0.492	0.886	0.630
FS6400X06X12	1.250	11/16-16	0.256	1-1/16-12	0.610	0.945	0.728
FS6400X08X04	0.875	13/16-16	0.374	7/16-20	0.177	1.004	0.433
FS6400X08X06	0.875	13/16-16	0.374	9/16-18	0.295	1.004	0.472
FS6400X08X08	0.875	13/16-16	0.374	3/4-16	0.394	0.886	0.551
FS6400X08X10	1.063	13/16-16	0.374	7/8-14	0.492	0.964	0.630
FS6400X08X12	1.250	13/16-16	0.374	1-1/16-12	0.610	1.024	0.728
FS6400X08X16	1.500	13/16-16	0.374	1-5/16-12	0.846	1.063	0.728
FS6400X10X06	1.063	1-14	0.492	9/16-18	0.295	1.161	0.472
FS6400X10X08	1.063	1-14	0.492	3/4-16	0.394	1.220	0.551
FS6400X10X10	1.063	1-14	0.492	7/8-14	0.492	1.063	0.630
FS6400X10X12	1.250	1-14	0.492	1-1/16-12	0.610	1.122	0.728
FS6400X10X16	1.500	1-14	0.492	1-5/16-12	0.846	1.181	0.728
FS6400X12X06	1.250	1-3/16-12	0.610	9/16-18	0.295	1.299	0.472
FS6400X12X08	1.250	1-3/16-12	0.610	3/4-16	0.394	1.358	0.551
FS6400X12X10	1.250	1-3/16-12	0.610	7/8-14	0.492	1.358	0.630
FS6400X12X12	1.250	1-3/16-12	0.610	1-1/16-12	0.610	1.191	0.728
FS6400X12X16	1.500	1-3/16-12	0.610	1-5/16-12	0.846	1.220	0.728
FS6400X16X08	1.500	1-7/16-12	0.807	3/4-16	0.394	1.398	0.551
FS6400X16X10	1.500	1-7/16-12	0.807	7/8-14	0.492	1.398	0.630
FS6400X16X12	1.500	1-7/16-12	0.807	1-1/16-12	0.610	1.417	0.728
FS6400X16X16	1.500	1-7/16-12	0.807	1-5/16-12	0.846	1.260	0.728
FS6400X16X20	1.875	1-7/16-12	0.807	1-5/8-12	1.083	1.338	0.728
FS6400X16X24	2.125	1-7/16-12	0.807	1-7/8-12	1.319	1.398	0.728
FS6400X20X16	1.875	1-11/16-12	1.024	1-5/16-12	0.846	1.555	0.728
FS6400X20X20	1.875	1-11/16-12	1.024	1-5/8-12	1.083	1.338	0.728
FS6400X20X24	2.125	1-11/16-12	1.024	1-7/8-12	1.319	1.398	0.728
FS6400X24X20	2.125	2-12	1.260	1-5/8-12	1.083	1.614	0.728
FS6400X24X24	2.125	2-12	1.260	1-7/8-12	1.319	1.398	0.728

Description: **STUD STRAIGHT LONG**
 Part No.: **FS6400-L**
 Stainless Part No.: **FS6400-L-SS**

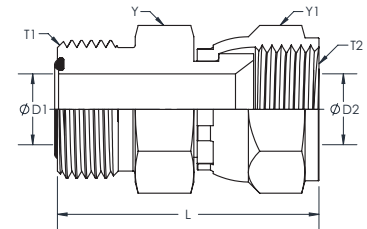
Parker: FF5OLO
 Weatherhead: 4316
 Aeroquip: FF1854T
 Gates: MFFOR-MBL



Part #	Y Hex	T1	D1	T2	D2	L1	L2
FS6400-LX04X04	0.625	9/16-18	0.177	7/16-20	0.177	1.634	0.433
FS6400-LX06X04	0.750	11/16-16	0.256	7/16-20	0.177	1.791	0.433
FS6400-LX06X06	0.750	11/16-16	0.256	9/16-18	0.295	1.791	0.472
FS6400-LX06X08	0.875	11/16-16	0.256	3/4-16	0.394	2.047	0.551
FS6400-LX08X08	0.875	13/16-16	0.374	3/4-16	0.394	2.126	0.551
FS6400-LX08X12	1.250	13/16-16	0.374	1-1/16-12	0.610	2.854	0.728
FS6400-LX10X10	1.063	1-14	0.492	7/8-14	0.492	2.500	0.630
FS6400-LX10X12	1.250	1-14	0.492	1-1/16-12	0.610	2.972	0.728
FS6400-LX12X10	1.250	1-3/16-12	0.610	7/8-14	0.492	3.031	0.630
FS6400-LX12X12	1.250	1-3/16-12	0.610	1-1/16-12	0.610	3.031	0.728
FS6400-LX12X16	1.500	1-3/16-12	0.610	1-5/16-12	0.846	3.386	0.728
FS6400-LX16X12	1.500	1-7/16-12	0.807	1-1/16-12	0.610	3.405	0.728
FS6400-LX16X16	1.500	1-7/16-12	0.807	1-5/16-12	0.846	3.405	0.728

Description: **MALE FACESEAL TO FEMALE JIC SWIVEL**
 Part No.: **FS6402**
 Stainless Part No.: /

Parker: /
 Weatherhead: /
 Aeroquip: /
 Gates: /

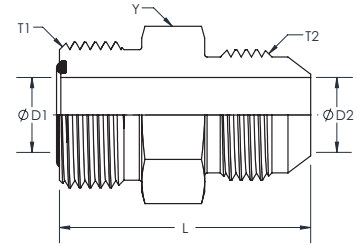


Part #	Y Hex	Y1 Hex	T1	D1	T2	D2	L
FS6402X04X04	0.625	0.563	9/16-18	0.172	7/16-20	0.172	1.344
FS6402X06X06	0.750	0.688	11/16-16	0.256	9/16-16	0.256	1.565
FS6402X08X08	0.875	0.875	13/16-16	0.374	3/4-16	0.374	1.770
FS6402X10X10	1.063	1.000	1-14	0.484	7/8-14	0.484	2.060
FS6402X12X12	1.250	1.250	1-3/16-12	0.609	1-1/16-12	0.609	2.250

"O" RING FACE SEAL FITTINGS

Description: **MALE FACESEAL END TO MALE JIC END**
 Part No.: **FS6403**
 Stainless Part No.: **FS6403-SS**

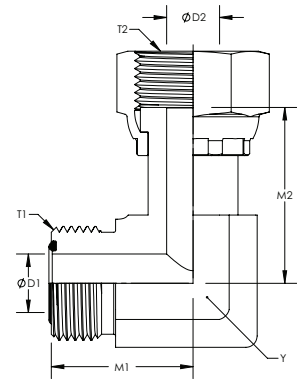
Parker: **XHLO**
 Weatherhead: **FF7403**
 Aeroquip: **FF2313T**
 Gates: **/**



Part #	Y Hex	T1	D1	T2	D2	L
FS6403X04X04	0.625	9/16-18	0.172	7/16-20	0.172	1.250
FS6403X06X06	0.750	11/16-16	0.256	9/16-18	0.256	1.340
FS6403X08X08	0.875	13/16-16	0.374	3/4-16	0.374	1.550
FS6403X10X10	1.063	1-14	0.484	7/8-14	0.484	1.830
FS6403X12X12	1.250	FF2313T	0.610	1-1/16-12	0.610	2.050
FS6403X16X16	1.500	1-7/16-12	0.807	1-5/16-12	0.807	2.160

Description: **90° SWIVEL ELBOW**
 Part No.: **FS6500**
 Stainless Part No.: **FS6500-SS**

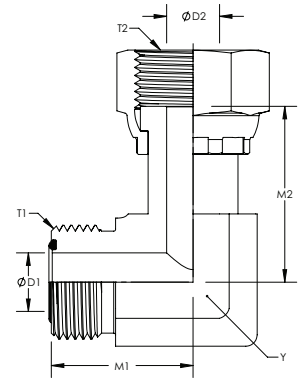
Parker: **C6LO**
 Weatherhead: **4506**
 Aeroquip: **FF2098T**
 Gates: **MFFOR-FFORX90**



Part #	Y Hex	T1	M1	D1	T2	M2	D2
FS6500X04X04	0.563	9/16-18	0.846	0.177	9/16-18	1.043	0.157
FS6500X04X06	0.669	9/16-18	0.925	0.177	11/16-16	1.142	0.256
FS6500X06X06	0.669	11/16-16	0.984	0.256	11/16-16	1.142	0.256
FS6500X08X06	0.750	13/16-16	1.102	0.374	11/16-16	1.378	0.256
FS6500X08X08	0.750	13/16-16	1.102	0.374	13/16-16	1.496	0.354
FS6500X08X12	1.188	13/16-16	1.338	0.374	1-3/16-16	1.831	0.551
FS6500X10X10	1.063	1-14	1.319	0.492	1-14	1.614	0.453
FS6500X12X12	1.188	1-3/16-12	1.476	0.610	1-3/16-12	1.831	0.551
FS6500X16X16	1.438	1-7/16-12	1.634	0.807	1-7/16-12	2.106	0.787
FS6500X20X20	1.625	1-11/16-12	1.752	1.024	1-11/16-12	2.283	1.024
FS6500X24X20	1.875	2-12	1.929	1.260	1-11/16-12	2.401	1.024
FS6500X24X24	1.875	2-12	1.929	1.260	2-12	2.401	1.260

Description: **90° SWIVEL ELBOW METRIC HEX**
 Part No.: **FS6500-H**
 Stainless Part No.: **FS6500-H-SS**

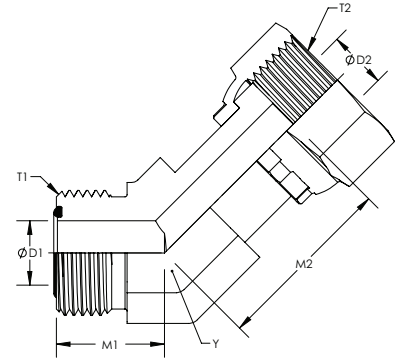
Parker: C6MLO
 Weatherhead: 4506MH
 Aeroquip: /
 Gates: /



Part #	Y Hex	T1	M1	D1	T2	M2	D2
FS6500-HX04X04	0.551	9/16-18	0.846	0.177	9/16-18	1.043	0.157
FS6500-HX06X06	0.669	11/16-16	0.984	0.256	11/16-16	1.142	0.256
FS6500-HX10X10	0.945	1-14	1.319	0.492	1-14	1.614	0.453
FS6500-HX12X12	1.063	1-3/16-12	1.476	0.610	1-3/16-12	1.831	0.551
FS6500-HX16X16	1.417	1-7/16-12	1.634	0.807	1-7/16-12	2.106	0.787

Description: **45° SWIVEL ELBOW**
 Part No.: **FS6502**
 Stainless Part No.: **FS6502-SS**

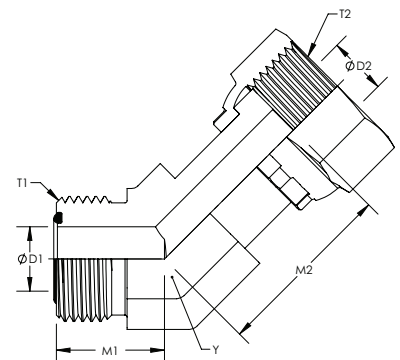
Parker: V6LO
 Weatherhead: 4356
 Aeroquip: FF2133T
 Gates: /



Part #	Y Hex	T1	M1	D1	T2	M2	D2
FS6502X04X04	0.563	9/16-18	0.630	0.177	9/16-18	0.990	0.157
FS6502X06X06	0.669	11/16-16	0.748	0.256	11/16-16	1.120	0.256
FS6502X08X08	0.750	13/16-16	0.807	0.374	13/16-16	1.320	0.354
FS6502X10X10	1.063	1-14	0.925	0.492	1-14	1.440	0.453
FS6502X12X12	1.188	1-3/16-12	1.024	0.610	1-3/16-12	1.730	0.551
FS6502X16X16	1.438	1-7/16-12	1.181	0.807	1-7/16-12	1.870	0.787

Description: **45° SWIVEL ELBOW HEX**
 Part No.: **FS6502-H**
 Stainless Part No.: **FS6502-H-SS**

Parker: /
 Weatherhead: 4365MH
 Aeroquip: /
 Gates: /

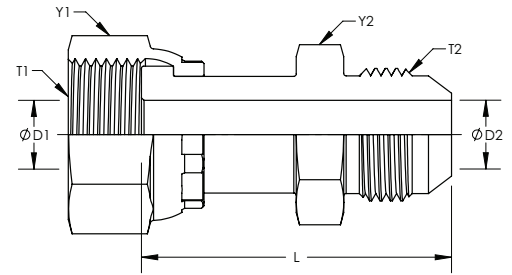


Part #	Y Hex	T1	M1	D1	T2	M2	D2
FS6502-HX06X06	0.669	11/16-16	0.748	0.256	11/16-16	1.102	0.256

"O" RING FACE SEAL FITTINGS

Description: **FEMALE SWIVEL TO MALE JIC**
 Part No.: **FS6504**
 Stainless Part No.: **FS6504-SS**

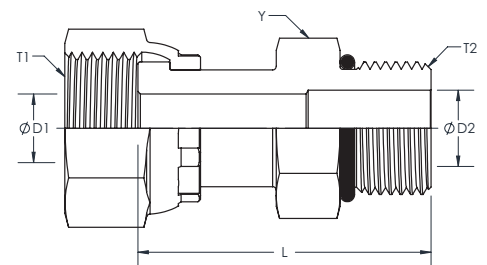
Parker: XHL6
 Weatherhead: 4213
 Aeroquip: FF2209T
 Gates: XHL6



Part #	Y1 Hex	Y2 Hex	T1	D1	T2	D2	L
FS6504X04X04	0.688	0.625	9/16-18	0.157	7/16-20	0.172	1.574
FS6504X06X06	0.813	0.750	11/16-16	0.256	9/16-18	0.297	1.658
FS6504X08X08	0.938	0.875	13/16-16	0.354	3/4-16	0.391	2.055
FS6504X10X10	1.125	1.063	1-14	0.453	7/8-14	0.484	2.254
FS6504X12X12	1.375	1.250	1-3/16-12	0.551	1-1/16-12	0.609	2.478
FS6504X16X16	1.625	1.500	1-7/16-12	0.787	1-5/16-12	0.844	2.840
FS6504X20X20	1.875	1.875	1-11/16-12	1.024	1-5/8-12	1.078	2.887

Description: **STUD STRAIGHT SWIVEL**
 Part No.: **FS6540**
 Stainless Part No.: **FS6540-SS**

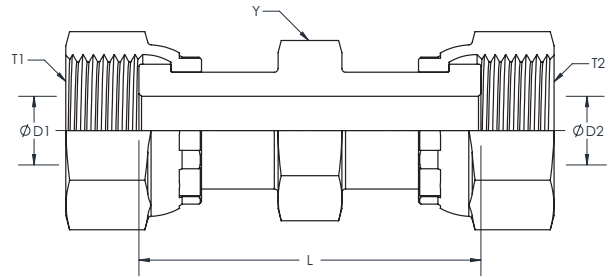
Parker: F65OL
 Weatherhead: FS6540
 Aeroquip: FF2130T
 Gates: /



Part #	Y Hex	T1	D1	T2	D2	L
FS6540X04X04	0.625	9/16-18	0.172	7/16-20	0.172	1.465
FS6540X06X06	0.750	11/16-16	0.256	9/16-18	0.256	1.575
FS6540X08X08	0.875	13/16-16	0.354	3/4-16	0.354	1.949
FS6540X10X10	1.063	1-14	0.453	7/8-14	0.453	2.126
FS6540X12X12	1.250	1-3/16-12	0.551	1-1/16-12	0.551	2.343
FS6540X16X16	1.500	1-7/16-12	0.787	1-5/16-12	0.787	2.658

Description: **ORFS SWIVEL UNION**
Part No.: **FS6565**
Stainless Part No.: **FS6565-SS**

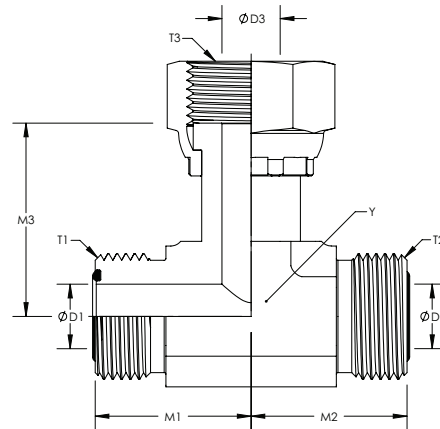
Parker: **HL6**
Weatherhead: **FS6565**
Aeroquip: **/**
Gates: **/**



Part #	Y Hex	T1	D1	T2	D2	L
FS6565X04X04	0.625	9/16-18	0.157	9/16-18	0.157	1.590
FS6565X06X06	0.750	11/16-16	0.256	11/16-16	0.256	1.770
FS6565X08X08	0.875	13/16-16	0.354	13/16-16	0.354	2.120
FS6565X10X10	1.063	1-14	0.453	1-14	0.453	2.420
FS6565X12X12	1.250	1-3/16-12	0.551	1-3/16-12	0.551	2.740
FS6565X16X16	1.500	1-7/16-12	0.787	1-7/16-12	0.787	2.950

Description: **SWIVEL BRANCH TEE**
Part No.: **FS6600-FG**
Stainless Part No.: **FS6600-FG-SS**

Parker: **S6LO**
Weatherhead: **4707**
Aeroquip: **FF1857T**
Gates: **MFFOR-MFFOR-FFORX**

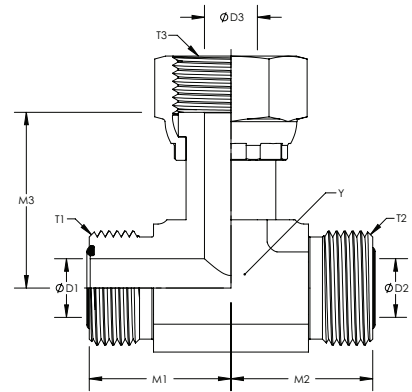


Part #	Y Hex	T1	M1	D1	T2	M2	D2	T3	M3	D3
FS6600-FGX04X04X04	0.563	9/16-18	0.846	0.177	9/16-18	0.846	0.177	9/18-18	1.043	0.157
FS6600-FGX06X06X06	0.669	11/16-16	0.984	0.256	11/16-16	0.984	0.256	11/16-16	1.142	0.256
FS6600-FGX08X08X08	0.750	13/16-16	1.102	0.374	13/16-16	1.102	0.374	13/16-16	1.496	0.354
FS6600-FGX10X10X10	1.063	1-14	1.319	0.492	1-14	1.319	0.492	1-14	1.614	0.453
FS6600-FGX12X12X12	1.188	1-3/16-12	1.476	0.610	1-3/16-12	1.476	0.610	1-3/16-12	1.831	0.551
FS6600-FGX16X16X16	1.438	1-7/16-12	1.634	0.807	1-7/16-12	1.634	0.807	1-7/16-12	2.106	0.787
FS6600-FGX20X20X20	1.625	1-11/16-12	1.752	1.024	1-11/16-12	1.752	1.024	1-11/16-12	2.283	1.024
FS6600-FGX24X24X24	1.875	2-12	1.929	1.260	2-12	1.929	1.260	2-12	2.401	1.260

"O" RING FACE SEAL FITTINGS

Description: **SWIVEL BRANCH TEE METRIC HEX**
 Part No.: **FS6600-H**
 Stainless Part No.: **FS6600-H-SS**

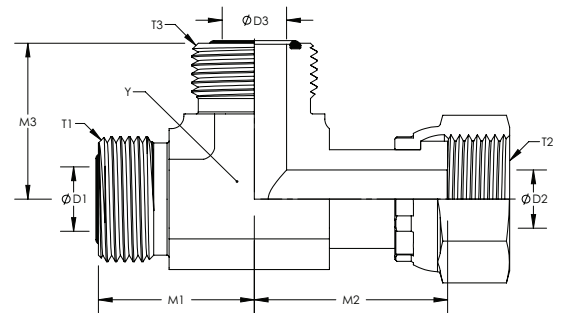
Parker: S6MLO
 Weatherhead: 4707MH
 Aeroquip: /
 Gates: /



Part #	Y Hex	T1	M1	D1	T2	M2	D2	T3	M3	D3
FS6600-HX20X20X20	1.614	1-11/16-12	1.752	1.024	1-11/16-12	1.752	1.024	1-11/16-12	2.283	1.024
FS6600-HX12X12X12	1.063	1-3/16-12	1.476	0.610	1-3/16-12	1.476	0.610	1-3/16-12	1.831	0.551
FS6600-HX10X10X10	0.945	1-14	1.319	0.492	1-14	1.319	0.492	1-14	1.614	0.453

Description: **SWIVEL RUN TEE**
 Part No.: **FS6602**
 Stainless Part No.: **FS6602-SS**

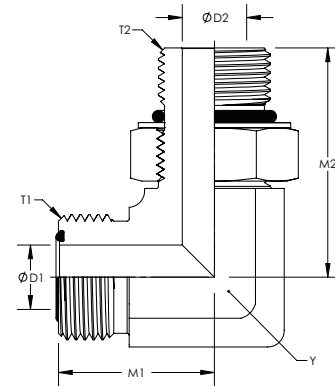
Parker: R6LO
 Weatherhead: 4706
 Aeroquip: FF2114T
 Gates: /



Part #	Y Hex	T1	M1	D1	T2	M2	D2	T3	M3	D3
FS6602X04X04X04	0.563	9/16-18	0.846	0.177	9/16-18	1.043	0.157	9/16-18	0.846	0.177
FS6602X06X06X06	0.669	11/16-16	0.984	0.256	11/16-16	1.142	0.256	11/16-16	0.984	0.256
FS6602X06X06X08	0.750	11/16-16	1.043	0.256	11/16-16	1.378	0.256	13/16-16	1.102	0.374
FS6602X08X08X08	0.750	13/16-16	1.102	0.374	13/16-16	1.496	0.354	13/16-16	1.102	0.374
FS6602X10X10X10	1.063	1-14	1.319	0.492	1-14	1.614	0.453	1-14	1.319	0.492
FS6602X12X10X10	1.188	1-3/16-12	1.476	0.610	1-14	1.732	0.453	1-14	1.417	0.492
FS6602X12X12X10	1.188	1-3/16-12	1.476	0.610	1-3/16-12	1.831	0.551	1-14	1.417	0.492
FS6602X12X12X12	1.188	1-3/16-12	1.476	0.610	1-3/16-12	1.831	0.551	1-3/16-12	1.476	0.610
FS6602X16X16X16	1.438	1-7/16-12	1.634	0.807	1-7/16-12	2.106	0.787	1-7/16-12	1.634	0.807
FS6602X20X20X20	1.625	1-11/16-12	1.752	1.024	1-11/16-12	2.283	1.024	1-11/16-12	1.752	1.024
FS6602X24X24X24	1.875	2-12	1.929	1.260	2-12	2.401	1.260	2-12	1.929	1.260

Description: **90° ADJUSTABLE STUD ELBOW**
 Part No.: **FS6801**
 Stainless Part No.: **FS6801-SS**

Parker: **C5OLO**
 Weatherhead: **4515**
 Aeroquip: **FF1868T**
 Gates: **MFFOR-MB90**



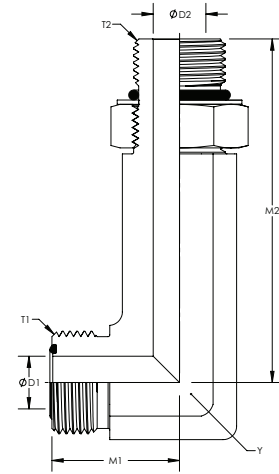
Part #	Y Hex	T1	M1	D1	T2	M2	D2
FS6801X04X04	0.563	9/16-18	0.846	0.177	7/16-20	1.299	0.177
FS6801X04X05	0.669	9/16-18	0.925	0.177	1/2-20	1.398	0.236
FS6801X04X06	0.669	9/16-18	0.925	0.177	9/16-18	1.457	0.295
FS6801X04X08	0.750	9/16-18	0.984	0.177	3/4-16	1.594	0.394
FS6801X06X04	0.669	11/16-16	0.984	0.256	7/16-20	1.378	0.177
FS6801X06X05	0.669	11/16-16	0.984	0.256	1/2-20	1.378	0.236
FS6801X06X06	0.669	11/16-16	0.984	0.256	9/16-18	1.457	0.295
FS6801X06X08	0.750	11/16-16	1.043	0.256	3/4-16	1.594	0.394
FS6801X06X10	1.063	11/16-16	1.181	0.256	7/8-14	1.969	0.492
FS6801X06X12	1.188	11/16-16	1.280	0.256	1-1/16-12	2.165	0.610
FS6801X06X16	1.438	11/16-16	1.417	0.256	1-5/16-12	2.342	0.846
FS6801X08X04	0.750	13/16-16	1.102	0.374	7/16-20	1.358	0.177
FS6801X08X06	0.750	13/16-16	1.102	0.374	9/16-18	1.438	0.295
FS6801X08X08	0.750	13/16-16	1.102	0.374	3/4-16	1.594	0.394
FS6801X08X10	1.063	13/16-16	1.240	0.374	7/8-14	1.969	0.492
FS6801X08X12	1.188	13/16-16	1.338	0.374	1-1/16-12	2.165	0.610
FS6801X08X16	1.438	13/16-16	1.476	0.374	1-5/16-12	2.342	0.846
FS6801X10X08	1.063	1-14	1.319	0.492	3/4-16	1.811	0.394
FS6801X10X10	1.063	1-14	1.319	0.492	7/8-14	1.969	0.492
FS6801X10X12	1.188	1-14	1.417	0.492	1-1/16-12	2.165	0.610
FS6801X12X08	1.188	1-3/16-12	1.476	0.610	3/4-16	1.831	0.394
FS6801X12X10	1.188	1-3/16-12	1.476	0.610	7/8-14	2.008	0.492
FS6801X12X12	1.188	1-3/16-12	1.476	0.610	1-1/16-12	2.165	0.610
FS6801X12X16	1.438	1-3/16-12	1.614	0.610	1-5/16-12	2.342	0.846
FS6801X16X12	1.438	1-7/16-12	1.634	0.807	1-1/16-12	2.303	0.610
FS6801X16X14	1.438	1-7/16-12	1.634	0.807	1-3/16-12	2.303	0.669
FS6801X16X16	1.438	1-7/16-12	1.634	0.807	1-5/16-12	2.342	0.846
FS6801X16X20	1.625	1-7/16-12	1.752	0.807	1-5/8-12	2.441	1.083
FS6801X20X12	1.625	1-11/16-12	1.752	1.024	1-1/16-12	2.402	0.610
FS6801X20X16	1.625	1-11/16-12	1.752	1.024	1-5/16-12	2.441	0.846
FS6801X20X20	1.625	1-11/16-12	1.752	1.024	1-5/8-12	2.441	1.083
FS6801X20X24	1.875	1-11/16-12	1.929	1.024	1-7/8-12	2.598	1.319
FS6801X24X20	1.875	2-12	1.929	1.260	1-5/8-12	2.598	1.083
FS6801X24X24	1.875	2-12	1.929	1.260	1-7/8-12	2.598	1.319



"O" RING FACE SEAL FITTINGS

Description: **90° ADJUSTABLE STUD ELBOW LONG**
 Part No.: **FS6801-L**
 Stainless Part No.: **FS6801-L-SS**

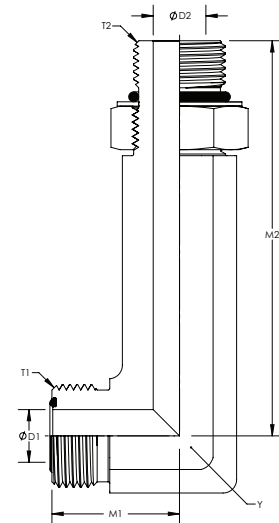
Parker: CC5OLO
 Weatherhead: 4515L
 Aeroquip: FF2227T
 Gates: /



Part #	Y Hex	T1	M1	D1	T2	M2	D2
FS6801-LX04X04	0.563	9/16-18	0.846	0.177	7/16-20	2.224	0.177
FS6801-LX06X06	0.669	11/16-16	0.984	0.256	9/16-18	2.618	0.295
FS6801-LX08X08	0.750	13/16-16	1.102	0.374	3/4-16	2.953	0.394
FS6801-LX10X10	1.063	1-14	1.319	0.492	7/8-14	3.504	0.492
FS6801-LX12X12	1.188	1-3/16-12	1.476	0.610	1-1/16-12	3.976	0.610
FS6801-LX16X16	1.438	1-7/16-12	1.634	0.807	1-5/16-12	4.508	0.846
FS6801-LX20X20	1.625	1-11/16-12	1.752	1.024	1-5/8-12	4.980	1.083

Description: **90° ADJUSTABLE STUD ELBOW EXTRA LONG**
 Part No.: **FS6801-LL**
 Stainless Part No.: **FS6801-LL-SS**

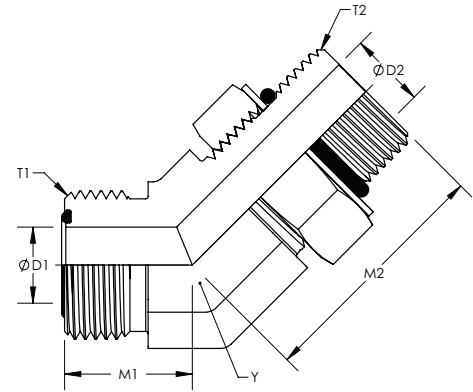
Parker: /
 Weatherhead: 4515LL
 Aeroquip: /
 Gates: /



Part #	Y Hex	T1	M1	D1	T2	M2	D2
FS6801-LLX10X10LL	1.063	1-14	1.319	0.492	7/8-14	3.990	0.492

Description: **45° ADJUSTABLE STUD ELBOW**
 Part No.: **FS6802**
 Stainless Part No.: **FS6802-SS**

Parker: V5OLO
 Weatherhead: 4365
 Aeroquip: FF2068T
 Gates: MFFOR-MB45



Part #	Y Hex	T1	M1	D1	T2	M2	D2
FS6802X04X03	0.563	9/16-18	0.630	0.177	3/8-24	1.102	0.118
FS6802X04X04	0.563	9/16-18	0.630	0.177	7/16-20	1.181	0.177
FS6802X04X06	0.669	9/16-18	0.689	0.177	9/16-18	1.300	0.295
FS6802X06X04	0.669	11/16-16	0.748	0.256	7/16-20	1.220	0.177
FS6802X06X06	0.669	11/16-16	0.748	0.256	9/16-18	1.300	0.295
FS6802X06X08	0.750	11/16-16	0.748	0.256	3/4-16	1.438	0.394
FS6802X06X10	1.063	11/16-16	0.787	0.256	7/8-14	1.752	0.492
FS6802X08X06	0.750	13/16-16	0.807	0.374	9/16-18	1.280	0.295
FS6802X08X08	0.750	13/16-16	0.807	0.374	3/4-16	1.438	0.394
FS6802X08X10	1.063	13/16-16	0.846	0.374	7/8-14	1.752	0.492
FS6802X08X12	1.188	13/16-16	0.886	0.374	1-1/16-12	1.969	0.610
FS6802X10X08	1.063	1-14	0.925	0.492	3/4-16	1.575	0.394
FS6802X10X10	1.063	1-14	0.925	0.492	7/8-14	1.752	0.492
FS6802X10X12	1.188	1-14	0.964	0.492	1-1/16-12	1.969	0.610
FS6802X12X08	1.188	1-3/16-12	1.024	0.610	3/4-16	1.634	0.394
FS6802X12X10	1.188	1-3/16-12	1.024	0.610	7/8-14	1.811	0.492
FS6802X12X12	1.188	1-3/16-12	1.024	0.610	1-1/16-12	1.969	0.610
FS6802X12X16	1.438	1-3/16-12	1.161	0.610	1-5/16-12	2.067	0.846
FS6802X16X12	1.438	1-7/16-12	1.181	0.807	1-1/16-12	2.028	0.610
FS6802X16X16	1.438	1-7/16-12	1.181	0.807	1-5/16-12	2.067	0.846
FS6802X16X20	1.625	1-7/16-12	1.260	0.807	1-5/8-12	2.106	1.082
FS6802X20X16	1.625	1-11/16-12	1.260	1.024	1-5/16-12	2.106	0.846
FS6802X20X20	1.625	1-11/16-12	1.260	1.024	1-5/8-12	2.106	1.082
FS6802X24X24	1.875	2-12	1.457	1.260	1-7/8-12	2.106	1.319

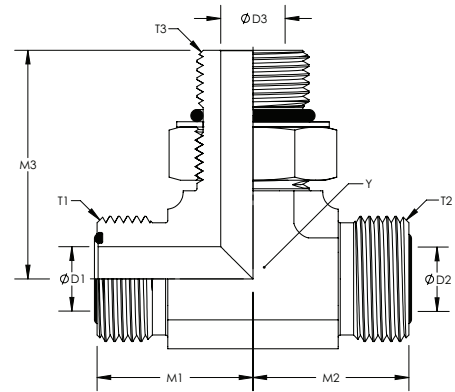
C

"O" RING FACE SEAL FITTINGS

C

Description: **ADJUSTABLE STUD BRANCH TEE**
 Part No.: **FS6803**
 Stainless Part No.: **FS6803-SS**

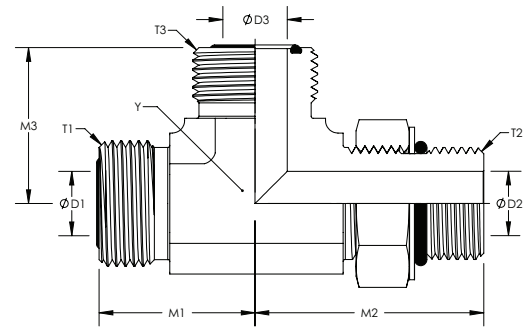
Parker: **S5OLO**
 Weatherhead: **4715**
 Aeroquip: **FF1861T**
 Gates: **MFFOR-MFFOR-MB**



Part #	Y Hex	T1	M1	D1	T2	M2	D2	T3	M3	D3
FS6803X04X04X04	0.563	9/16-18	0.846	0.177	9/16-18	0.846	0.177	7/16-20	1.299	0.177
FS6803X06X06X06	0.669	11/16-16	0.984	0.256	11/16-16	0.984	0.256	9/16-18	1.457	0.295
FS6803X06X06X08	0.750	11/16-16	1.043	0.256	11/16-16	1.043	0.256	3/4-16	1.594	0.393
FS6803X08X08X06	0.750	13/16-16	1.102	0.374	13/16-16	1.102	0.374	9/16-18	1.438	0.295
FS6803X08X08X08	0.750	13/16-16	1.102	0.374	13/16-16	1.102	0.374	3/4-16	1.594	0.393
FS6803X10X10X10	1.063	1-14	1.319	0.492	1-14	1.319	0.492	7/8-14	1.969	0.492
FS6803X12X12X10	1.188	1-3/16-12	1.476	0.610	1-3/16-12	1.476	0.610	7/8-14	2.008	0.492
FS6803X12X12X12	1.188	1-3/16-12	1.476	0.610	1-3/16-12	1.476	0.610	1-1/16-12	2.165	0.610
FS6803X12X12X16	1.438	1-3/16-12	1.614	0.610	1-3/16-12	1.614	0.610	1-5/16-12	2.342	0.846
FS6803X16X16X16	1.438	1-7/16-12	1.634	0.807	1-7/16-12	1.634	0.807	1-5/16-12	2.342	0.846
FS6803X16X16X20	1.625	1-7/16-12	1.752	0.807	1-7/16-12	1.752	0.807	1-5/8-12	2.441	1.083
FS6803X20X20X20	1.625	1-11/16-12	1.752	1.024	1-11/16-12	1.752	1.024	1-5/8-12	2.441	1.083
FS6803X24X24X24	1.875	2-12	1.929	1.260	2-12	1.929	1.260	1-7/8-12	2.598	1.319

Description: **ADJUSTABLE STUD RUN TEE**
 Part No.: **FS6804**
 Stainless Part No.: **FS6804-SS**

Parker: **R5OLO**
 Weatherhead: **4716**
 Aeroquip: **FF1865T**
 Gates: **MFFOR-MB-MFFOR**



C

Part #	Y Hex	T1	M1	D1	T2	M2	D2	T3	M3	D3
FS6804X04X04X04	0.563	9/16-18	0.846	0.177	7/16-20	1.299	0.177	9/18-18	0.846	0.177
FS6804X04X04X06	0.669	9/16-18	0.925	0.177	7/16-20	1.378	0.177	11/16-16	0.984	0.256
FS6804X04X06X04	0.669	9/16-18	0.925	0.177	9/16-18	1.457	0.295	9/18-18	0.925	0.177
FS6804X06X04X06	0.669	11/16-16	0.984	0.256	7/16-20	1.378	0.177	11/16-16	0.984	0.256
FS6804X06X06X06	0.669	11/16-16	0.984	0.256	9/16-18	1.457	0.295	11/16-16	0.984	0.256
FS6804X08X06X08	0.750	13/16-16	1.102	0.374	9/16-18	1.438	0.295	13/16-16	1.102	0.374
FS6804X08X08X08	0.750	13/16-16	1.102	0.374	3/4-16	1.594	0.394	13/16-16	1.102	0.374
FS6804X08X08X12	1.188	13/16-16	1.338	0.374	3/4-16	1.831	0.394	1-3/16-12	1.476	0.610
FS6804X08X10X08	1.063	13/16-16	1.240	0.374	7/8-14	1.969	0.492	13/16-16	1.240	0.374
FS6804X08X12X08	1.188	13/16-16	1.338	0.374	1-1/16-12	2.165	0.610	13/16-16	1.338	0.374
FS6804X08X16X08	1.438	13/16-16	1.476	0.374	1-5/16-12	2.342	0.846	13/16-16	1.476	0.374
FS6804X10X10X08	1.063	1-14	1.319	0.492	7/8-14	1.969	0.492	13/16-16	1.240	0.374
FS6804X10X10X10	1.063	1-14	1.319	0.492	7/8-14	1.969	0.492	1-14	1.319	0.492
FS6804X10X12X10	1.188	1-14	1.417	0.492	1-1/16-12	2.165	0.610	1-14	1.417	0.492
FS6804X10X12X12	1.188	1-14	1.417	0.492	1-1/16-12	2.165	0.610	1-3/16-12	1.476	0.610
FS6804X12X12X12	1.188	1-3/16-12	1.476	0.610	1-1/16-12	2.165	0.610	1-3/16-12	1.476	0.610
FS6804X12X12X16	1.438	1-3/16-12	1.614	0.610	1-1/16-12	2.303	0.610	1-7/16-12	1.634	0.807
FS6804X12X16X12	1.438	1-3/16-12	1.614	0.610	1-5/16-12	2.342	0.846	1-3/16-12	1.614	0.610
FS6804X12X16X16	1.438	1-3/16-12	1.614	0.610	1-5/16-12	2.342	0.846	1-7/16-12	1.634	0.807
FS6804X16X12X10	1.438	1-7/16-12	1.634	0.807	1-1/16-12	2.303	0.610	1-14	1.555	0.492
FS6804X16X16X12	1.438	1-7/16-12	1.634	0.807	1-5/16-12	2.342	0.846	1-3/16-12	1.614	0.610
FS6804X16X16X16	1.438	1-7/16-12	1.634	0.807	1-5/16-12	2.342	0.846	1-7/16-12	1.634	0.807
FS6804X16X16X20	1.625	1-7/16-12	1.752	0.807	1-5/16-12	2.441	0.846	1-11/16-12	1.752	1.024
FS6804X16X20X08	1.625	1-7/16-12	1.752	0.807	1-5/8-12	2.441	1.083	13/16-16	1.594	0.374
FS6804X20X20X20	1.625	1-11/16-12	1.752	1.024	1-5/8-12	2.441	1.083	1-11/16-12	1.752	1.024
FS6804X24X24X24	1.875	2-12	1.929	1.260	1-7/8-12	2.598	1.319	2-12	1.929	1.260

"O" RING FACE SEAL FITTINGS

Description: **SWIVEL 90° ADJUSTABLE STUD ELBOW**

Part No.: **FS6809**

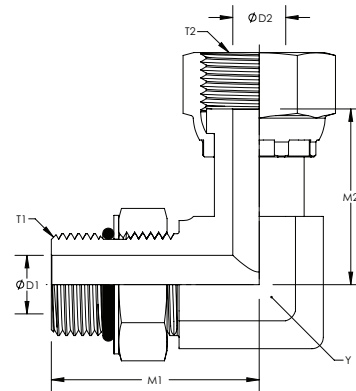
Stainless Part No.: **FS6809-SS**

Parker: /

Weatherhead: FS6809

Aeroquip: /

Gates: /



Part #	Y Hex	T1	M1	D1	T2	M2	D2
FS6809X04X04	0.563	7/16-20	1.299	0.177	9/16-18	1.043	0.157
FS6809X06X06	0.669	9/16-18	1.457	0.295	11/16-16	1.142	0.256
FS6809X08X08	0.750	3/4-16	1.594	0.394	13/16-16	1.496	0.354
FS6809X10X10	1.063	7/8-14	1.969	0.492	1-14	1.614	0.453
FS6809X12X12	1.188	1-1/16-12	2.165	0.610	1-3/16-12	1.831	0.551
FS6809X16X16	1.438	1-5/16-12	2.342	0.846	1-7/16-12	2.106	0.787
FS6809X20X20	1.625	1-5/8-12	2.441	1.083	1-11/16-12	2.283	1.024

Description: **90° ADJUSTABLE STUD ELBOW - METRIC**

Part No.: **FS7205**

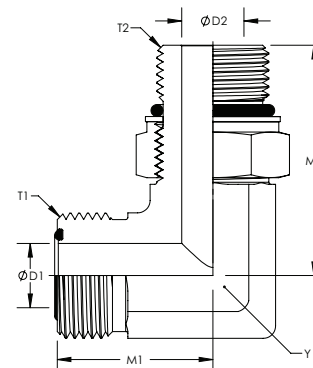
Stainless Part No.: **FS7205-SS**

Parker: C87OMLO

Weatherhead: 4515M

Aeroquip: /

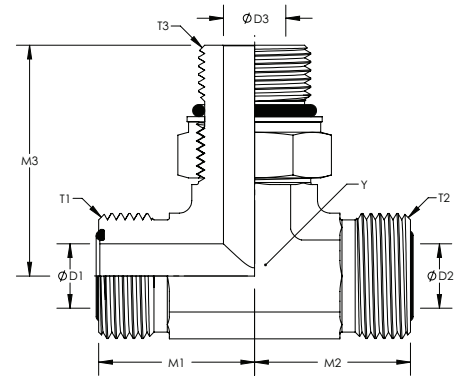
Gates: /



Part #	Y Hex	T1	M1	D1	T2	M2	D2
FS7205X04XM12	0.551	9/16-18	0.846	0.177	M12X1.5	1.299	0.157
FS7205X04XM14	0.669	9/16-18	0.925	0.177	M14X1.5	1.398	0.236
FS7205X06XM12	0.669	11/16-16	0.984	0.256	M12X1.5	1.398	0.157
FS7205X06XM14	0.669	11/16-16	0.984	0.256	M14X1.5	1.398	0.236
FS7205X06XM16	0.669	11/16-16	0.984	0.256	M16X1.5	1.476	0.276
FS7205X06XM18	0.748	11/16-16	1.043	0.256	M18X1.5	1.614	0.354
FS7205X08XM14	0.748	13/16-16	1.102	0.374	M14X1.5	1.417	0.236
FS7205X08XM16	0.748	13/16-16	1.102	0.374	M16X1.5	1.496	0.276
FS7205X08XM18	0.748	13/16-16	1.102	0.374	M18X1.5	1.614	0.354
FS7205X08XM22	0.945	13/16-16	1.240	0.374	M22X1.5	1.929	0.472
FS7205X08XM30	1.417	13/16-16	1.476	0.374	M30X2.0	2.342	0.669
FS7205X10XM18	0.945	1-14	1.319	0.492	M18X1.5	1.870	0.354
FS7205X10XM22	0.945	1-14	1.319	0.492	M22X1.5	1.929	0.472
FS7205X10XM27	1.063	1-14	1.417	0.492	M27X2.0	2.185	0.590
FS7205X12XM22	1.063	1-3/16-12	1.476	0.610	M22X1.5	1.929	0.472
FS7205X12XM27	1.063	1-3/16-12	1.476	0.610	M27X2.0	2.185	0.590
FS7205X16XM33	1.417	1-7/16-12	1.634	0.807	M33X2.0	2.342	0.787
FS7205X20XM33	1.614	1-11/16-12	1.752	1.024	M33X2.0	2.441	0.787
FS7205X20XM42	1.614	1-11/16-12	1.752	1.024	M42X2.0	2.480	1.024
FS7205X20XM48	1.969	1-11/16-12	1.929	1.024	M48X2.0	2.815	1.260

Description: **ADJUSTABLE STUD BRANCH TEE - METRIC**
 Part No.: **FS7210**
 Stainless Part No.: **FS7210-SS**

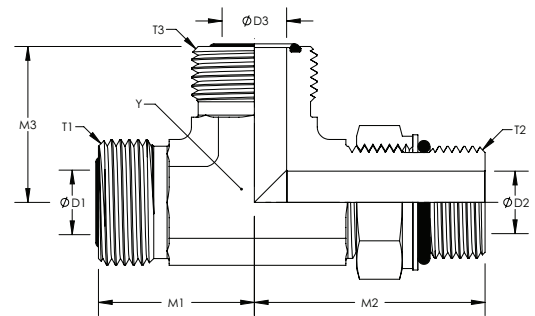
Parker: S87OMLO
 Weatherhead: 4715M
 Aeroquip: /
 Gates: /



Part #	Y Hex	T1	M1	D1	T2	M2	D2	T3	M3	D3
FS7210X04X04XM12	0.551	9/16-18	0.846	0.177	9/16-18	0.846	0.177	M12X1.5	1.299	0.157
FS7210X04X04XM14	0.669	9/16-18	0.925	0.177	9/16-18	0.925	0.177	M14X1.5	1.397	0.236
FS7210X06X06XM14	0.669	11/16-16	0.984	0.256	11/16-16	0.984	0.256	M14X1.5	1.397	0.236
FS7210X06X06XM16	0.669	11/16-16	0.984	0.256	11/16-16	0.984	0.256	M16X1.5	1.476	0.276
FS7210X08X08XM14	0.748	13/16-16	1.102	0.374	13/16-16	1.102	0.374	M14X1.5	1.417	0.236
FS7210X08X08XM18	0.748	13/16-16	1.102	0.374	13/16-16	1.102	0.374	M18X1.5	1.614	0.354
FS7210X08X08XM22	0.945	13/16-16	1.240	0.374	13/16-16	1.240	0.374	M22X1.5	1.929	0.472
FS7210X10X10XM22	0.945	1-14	1.319	0.492	1-14	1.319	0.492	M22X1.5	1.929	0.472
FS7210X12X12XM27	1.063	1-3/16-12	1.476	0.610	1-3/16-12	1.476	0.610	M27X2.0	2.185	0.590
FS7210X16X16XM33	1.417	1-7/16-12	1.634	0.807	1-7/16-12	1.634	0.807	M33X2.0	2.342	0.787
FS7210X20X20XM42	1.614	1-11/16-12	1.752	1.024	1-11/16-12	1.752	1.024	M42X2.0	2.480	1.024
FS7210X24X24XM48	1.969	2-12	1.929	1.260	2-12	1.929	1.260	M48X2.0	2.815	1.260

Description: **ADJUSTABLE STUD RUN TEE - METRIC**
 Part No.: **FS7215**
 Stainless Part No.: **FS7215-SS**

Parker: R87OMLO
 Weatherhead: 4716M
 Aeroquip: /
 Gates: /

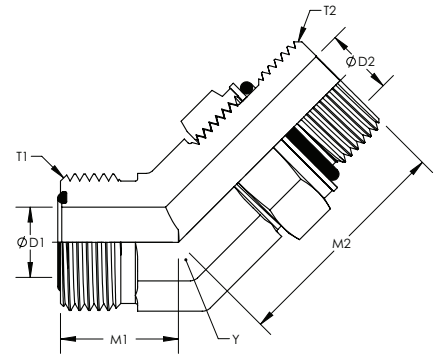


Part #	Y Hex	T1	M1	D1	T2	M2	D2	T3	M3	D3
FS7215X04XM12X04	0.551	9/16-18	0.846	0.177	M12X1.5	1.299	0.157	9/16-18	0.846	0.177
FS7215X04XM14X04	0.669	9/16-18	0.945	0.177	M14X1.5	1.398	0.236	9/16-18	0.945	0.177
FS7215X06XM14X06	0.669	11/16-16	0.984	0.256	M14X1.5	1.398	0.236	11/16-16	0.984	0.256
FS7215X06XM16X06	0.669	11/16-16	0.984	0.256	M16X1.5	1.476	0.275	11/16-16	0.984	0.256
FS7215X08XM14X08	0.748	13/16-16	1.102	0.374	M14X1.5	1.417	0.236	13/16-16	1.102	0.374
FS7215X08XM18X08	0.748	13/16-16	1.102	0.374	M18X1.5	1.614	0.354	13/16-16	1.102	0.374
FS7215X08XM22X08	0.945	13/16-16	1.240	0.374	M22X1.5	1.929	0.472	13/16-16	1.240	0.374
FS7215X08XM33X20	1.614	13/16-16	1.752	0.374	M33X2.0	2.480	0.787	1-11/16-12	1.752	1.024
FS7215X10XM22X10	0.945	1-14	1.319	0.492	M22X1.5	1.929	0.472	1-14	1.319	0.492
FS7215X12XM27X12	1.063	1-3/16-12	1.476	0.610	M27X2.0	2.185	0.590	1-3/16-12	1.476	0.610
FS7215X16XM33X16	1.417	1-7/16-12	1.634	0.807	M33X2.0	2.342	0.787	1-7/16-12	1.634	0.807
FS7215X20XM42X20	1.614	1-11/16-12	1.752	1.024	M42X2.0	2.480	1.024	1-11/16-12	1.752	1.024
FS7215X24XM48X24	1.969	2-12	1.929	1.260	M48X2.0	2.815	1.260	2-12	1.929	1.260

"O" RING FACE SEAL FITTINGS

Description: **45° ADJUSTABLE STUD ELBOW - METRIC**
 Part No.: **FS7300**
 Stainless Part No.: **FS7300-SS**

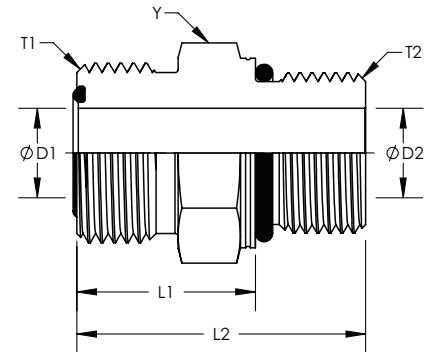
Parker: V87OMLO
 Weatherhead: 4365M
 Aeroquip: /
 Gates: /



Part #	Y Hex	T1	M1	D1	T2	M2	D2
FS7300X04XM14	0.669	9/16-18	0.689	0.177	M14X1.5	1.240	0.236
FS7300X06XM14	0.669	11/16-16	0.748	0.256	M14X1.5	1.240	0.236
FS7300X06XM16	0.669	11/16-16	0.748	0.256	M16X1.5	1.319	0.276
FS7300X06XM18	0.748	11/16-16	0.748	0.256	M18X1.5	1.457	0.354
FS7300X08XM18	0.748	13/16-16	0.807	0.374	M18X1.5	1.457	0.354
FS7300X10XM22	0.945	1-14	0.925	0.492	M22X1.5	1.732	0.472
FS7300X16XM33	1.417	1-7/16-12	1.181	0.807	M33X2.0	2.067	0.787
FS7300X20XM42	1.614	1-11/16-12	1.260	1.024	M42X2.0	2.126	1.024

Description: **STUD STRAIGHT METRIC**
 Part No.: **FS7640**
 Stainless Part No.: **FS7640-SS**

Parker: F87OMLO
 Weatherhead: 4314M
 Aeroquip: /
 Gates: /



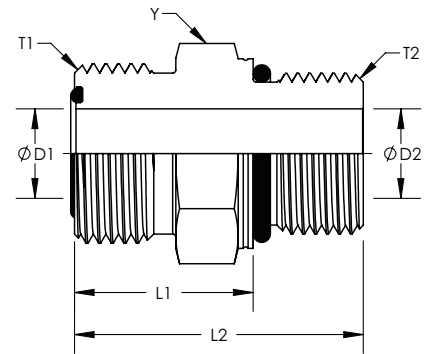
Part #	Y Hex	T1	D1	T2	D2	L1	L2
FS7640X04XM12	0.669	9/16-18	0.177	M12X1.5	0.157	0.688	1.122
FS7640X04XM14	0.748	9/16-18	0.177	M14X1.5	0.236	0.728	1.161
FS7640X06XM12	0.748	11/16-16	0.256	M12X1.5	0.157	0.826	1.260
FS7640X06XM14	0.748	11/16-16	0.256	M14X1.5	0.236	0.826	1.260
FS7640X06XM16	0.866	11/16-16	0.256	M16X1.5	0.275	0.826	1.318
FS7640X06XM18	0.944	11/16-16	0.256	M18X1.5	0.354	0.866	1.417
FS7640X06XM22	1.063	11/16-16	0.256	M22X1.5	0.472	0.886	1.476
FS7640X08XM14	0.866	13/16-16	0.374	M14X1.5	0.236	0.944	1.378
FS7640X08XM16	0.944	13/16-16	0.374	M16X1.5	0.275	0.944	1.438
FS7640X08XM18	0.944	13/16-16	0.374	M18X1.5	0.354	0.944	1.496
FS7640X08XM22	1.063	13/16-16	0.374	M22X1.5	0.472	0.964	1.555
FS7640X08XM27	1.260	13/16-16	0.374	M27X2.0	0.590	1.024	1.752
FS7640X10XM16	1.063	1-14	0.492	M16X1.5	0.275	1.063	1.555
FS7640X10XM18	1.063	1-14	0.492	M18X1.5	0.354	1.063	1.614

Continued on page 89

Continued from page 144

Description: **STUD STRAIGHT METRIC**
Part No.: **FS7640**
Stainless Part No.: **FS7640-SS**

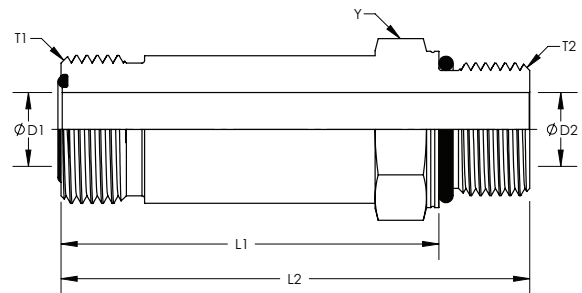
Parker: F87OMLO
Weatherhead: 4314M
Aeroquip: /
Gates: /



Part #	Y Hex	T1	D1	T2	D2	L1	L2
FS7640X10XM22	1.063	1-14	0.492	M22X1.5	0.472	1.063	1.653
FS7640X10XM27	1.260	1-14	0.492	M27X2.0	0.590	1.122	1.850
FS7640X12XM22	1.260	1-3/16-12	0.610	M22X1.5	0.472	1.181	1.771
FS7640X12XM27	1.260	1-3/16-12	0.610	M27X2.0	0.590	1.181	1.909
FS7640X12XM33	1.614	1-3/16-12	0.610	M33X2.0	0.787	1.299	2.027
FS7640X16XM27	1.614	1-7/16-12	0.807	M27X2.0	0.590	1.318	2.047
FS7640X16XM33	1.614	1-7/16-12	0.807	M33X2.0	0.787	1.318	2.047
FS7640X16XM42	1.969	1-7/16-12	0.807	M42X2.0	1.024	1.417	2.145
FS7640X20XM33	1.969	1-11/16-12	1.024	M33X2.0	0.787	1.397	2.126
FS7640X20XM42	1.969	1-11/16-12	1.024	M42X2.0	1.024	1.397	2.145
FS7640X24XM42	1.969	2-12	1.260	M42X2.0	1.024	1.397	2.145
FS7640X24XM48	2.165	2-12	1.260	M48X2.0	1.260	1.397	2.244

Description: **STUD STRAIGHT LONG - METRIC**
Part No.: **FS7640-L**
Stainless Part No.: **FS7640-L-SS**

Parker: /
Weatherhead: 4316M
Aeroquip: /
Gates: /



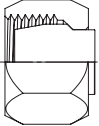
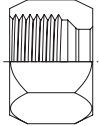
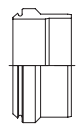
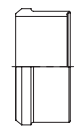
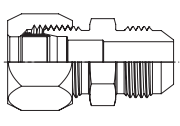
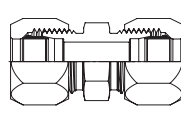
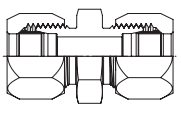
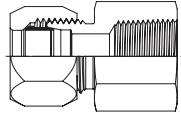
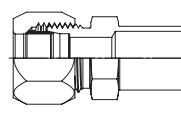
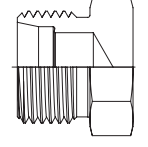
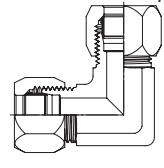
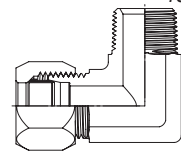
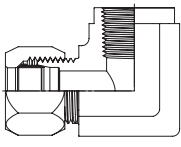
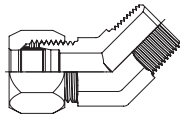
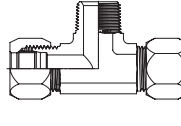
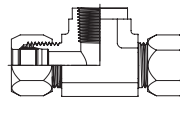
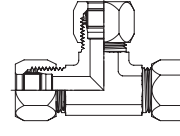
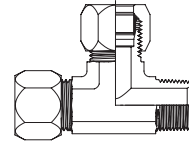
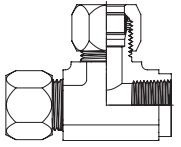
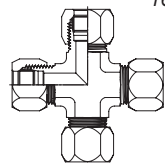
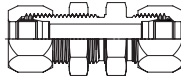
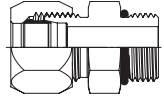
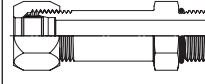
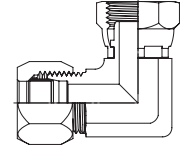
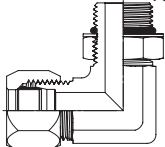
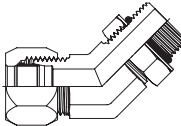
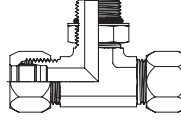
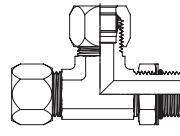
Part #	Y Hex	T1	D1	T2	D2	L1	L2
FS7640-LX12XM27	1.260	1-3/16-12	0.610	M27X2.0	0.590	3.031	3.760
FS7640-LX10XM22	1.063	1-14	0.492	M22X1.5	0.472	2.500	3.090
FS7640-LX06XM16	0.866	11/16-16	0.256	M16X1.5	0.276	1.791	2.283
FS7640-LX06XM12	0.748	11/16-16	0.256	M12X1.5	0.157	1.791	2.224
FS7640-LX04XM12	0.669	9/16-18	0.177	M12X1.5	0.157	1.634	2.067

WORLD WIDE FITTINGS inc.

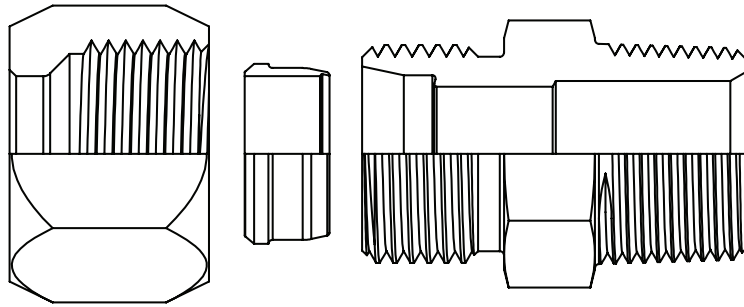


FLARELESS FITTINGS

FLARELESS FITTINGS

C0304-C Pg. 152  7129 Cap Assembly	C0318 Pg. 152  7105 Nut	C0319 Pg. 153  7165A Style A Ferrule	C0319 Pg. 153  7165B Style B Ferrule	C2402 Pg. 154  C2402 Male Connector to Male JIC	C2403 Pg. 154  7305 Union
C2403-LH Pg. 155  7306 Large Hex Union	C2405 Pg. 155  7255 Female Connector	C2406 Pg. 156  7015 Reducer	C2408 Pg. 156  7299 Plug	C2500 Pg. 157  7505 90° Union Elbow	C2501 Pg. 157  7405 90° Male Elbow
C2502 Pg. 158  7455 90° Female Elbow	C2503 Pg. 159  7355 45° Male Elbow	C2601 Pg. 159  7605 Male Branch Tee	C2602 Pg. 160  7655 Female Branch Tee	C2603 Pg. 160  7705 Union Tee	C2605 Pg. 161  7755 Male Run Tee
C2606 Pg. 161  7805 Female Run Tee	C2650 Pg. 162  7955 Cross	C2700 Pg. 162  7325 Bulkhead Union	C6400 Pg. 163  7315 Straight Thread Connector	C6400-L Pg. 163  7316 Straight Thread Connector Long	C6500 Pg. 164  7506 90° Swivel Elbow
C6801 Pg. 164  7515 90° Straight Thread Elbow	C6802 Pg. 165  7365 45° Straight Thread Elbow	C6803 Pg. 165  7715 Straight Thread Branch Tee	C6804 Pg. 165  7716 Straight Thread Run Tee		

D



CONSTRUCTION

Flareless Fittings consist of three main components: Bodies, Nuts, and Sleeves.

Bodies – Straight bodies are machined from bar stock. Shape fittings (elbows, tees, & crosses) are machined from forgings.

Flareless fittings are machined with NPTF - Dryseal Pipe Threads and SAE straight threads for easy installation.

Tube Nuts – Tube nuts in sizes 1/4", 5/16", 3/8", 1/2", 5/8", 3/4", 1" are Cold Formed in 1010 steel. Tube nuts in sizes 1 1/4", 1 1/2", & 2" are hot forged from 1045.

Tube Sleeves – Flareless tube sleeves are machined from cold drawn 12L14 bar stock and are available in both SAE "A" and "B" styles (see tube sleeve drawings to view the "A" and "B" style sleeves). After machining and inspection the tube sleeves are heat treated to provide them with the necessary hardness.

CAUTION:

Stainless steel sleeves must be preset into tubing during installation.

MATERIAL

- Steel – Forged Bodies 1045
- Straight Bodies 12L14, 1045
- Cold Formed Nuts 1010
- Bar Stock Nut 12L14
- Flareless Sleeves 12L14
- Stainless Steel – Forged Bodies 316
- Stainless Steel – Straight Bodies 316
- Stainless Steel – Bar Stock Nuts 316
- Stainless Steel – Flareless Sleeves 17-4PH

PLATING

Clear Zinc Trivalent

Alternate plating finishes are available upon request. Contact World Wide Fittings for details.

APPLICATIONS

For use with applications such as: Construction machinery, Textile machinery, Machine tools, Chemical, Marine, Military, and most other high pressure hydraulic applications. Applications using thick wall tubing where flaring is not practical.

CAUTION:

Flareless Fittings are NOT RECOMMENDED for use in instrumentation applications where toxic and noxious gases are present.

TEMPERATURE RANGE

-30 Degrees Fahrenheit to +450 Degrees Fahrenheit
Straight thread fittings which use "O" Rings to seal are restricted to the temperature range of the material used to construct the "O" Ring.

PRESSURE RATINGS

Working Pressure up to 8000 PSI.

CAUTION:

Working pressures will vary depending on tube and fitting size. (For applications using extreme pressures at 5000 PSI or above (or) for application with extreme pressure fluctuations, contact World Wide Fittings.)

HOW TO ORDER

Tubing sizes are measured in sixteenths of an inch. Available sizes are 1/8" through 2". When ordering, the tube end of the fitting must be specified first followed by the pipe thread or straight thread end. All fittings in this section are ordered as assemblies only unless otherwise specified by customers when ordering.

(Contact World Wide Fittings when ordering fittings as bodies only or configurations which are non-standard.)

CONFORMANCE

Flareless fittings meet SAE J514 and MS (Military Specifications).

D

FLARELESS FITTINGS

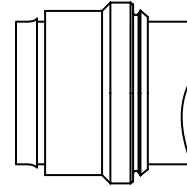
ASSEMBLY INSTRUCTIONS

Using a presetting tool, the flareless sleeve should be preset and inspected before final assembly of the fittings is made. All Stainless Sleeves must be preset before final installation.

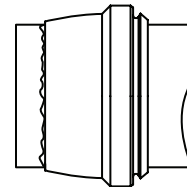
1. Cut the tubing to the desired length making sure the ends are square. (Refer to the tube penetration chart when measuring tube length.)
Remove all burrs and foreign matter from the end of the tubing and clean thoroughly.
2. Lubricate the threads of the preset body, tube nut, and outer edge of both ends of the flareless sleeve.
3. Slide the tube nut and the flareless sleeve onto the tubing making sure the open end of the nut and the leading "bite" edge of the sleeve are facing the end of the tubing.
4. Insert the tubing into the preset body until it hits the bottom or shoulder of the tool. Bring the flareless sleeve and tube nut down to the preset tool and tighten the nut to the finger-tight position.
5. Using a marker make a reference line on the tubing and tube nut. Holding the tubing firmly in the preset tool and using a wrench, tighten the tube nut an additional 1-3/4 turns past the finger-tight position. Disassemble the nut from the preset tool and inspect the flareless sleeve for the proper bite into the tube. (Refer to example drawings for correct and incorrect preset sleeves.)
6. Should the preset sleeve look acceptable, insert the tube with the preset sleeve into the fitting body to be assembled. Tighten the tube nut to the finger-tight position. Then using a wrench tighten the nut until a sudden rise in torque is felt. From the point where the sudden rise in torque started turn the nut an additional 1/3 to 1/4 turn. Your assembly is now ready for use.

(Refer to the assembly torque charts during installation of flareless fittings from the port and thread assemblies section.)

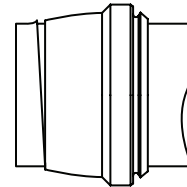
Incorrect tube / sleeve assembly



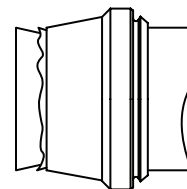
Shallow bite



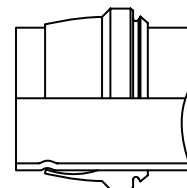
Tube not bottomed in fitting



Sleeve was cocked



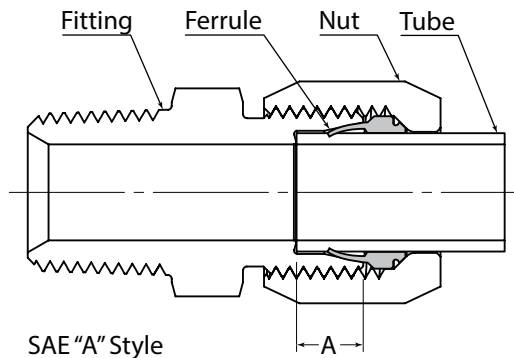
Over set sleeve



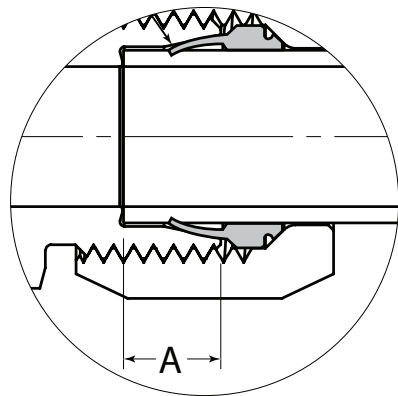
No bite

D

Correct assembly



SAE "A" Style

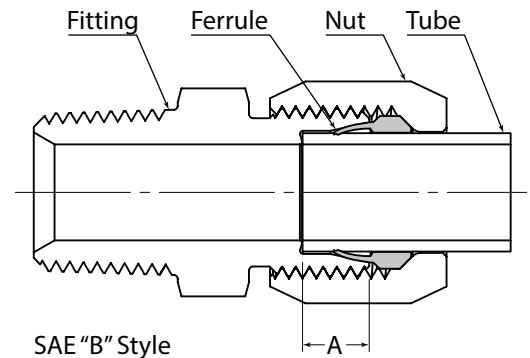


Tube length allowance

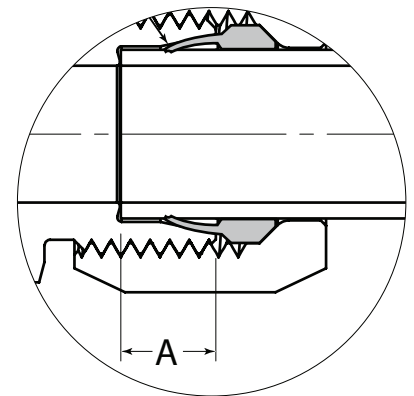
Nominal Tube O.D.	A
1/8	0.19
3/16	0.23
1/4	0.23
5/16	0.25
3/8	0.25
1/2	0.31
5/8	0.35
3/4	0.35
7/8	0.35
1	0.42
1-1/4	0.42
1-1/2	0.49
2	0.49

Tube length allowance table

Correct assembly



SAE "B" Style



Tube length allowance

The above example shows an assembly using the **SAE "A" Style** flareless sleeve. When assembled properly the SAE "A" style flareless sleeve assembly will exhibit the following characteristics.

1. A slight indentation around the end of the tube which indicates that the tube was fully inserted during installation.
2. A visible metal lip will have been raised 75% to 100% of the thickness of the sleeves lead biting edge all the way around the tube. (See illustration above.)
3. The midsection of the sleeve behind the leading edge has a slight bow to provide contact with the internal taper of the fitting body and form a sealing point.
4. The back (tail) end of the sleeve will be in firm contact with the O.D. of the tube.

The above example shows an assembly using the **SAE "B" Style** flareless sleeve. When assembled properly the SAE "B" style flareless sleeve assembly will exhibit the following characteristics.

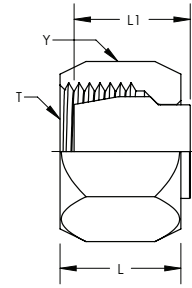
1. A slight indentation around the end of the tube which indicates that the tube was fully inserted during installation.
2. A metal lip will have been raised 75% to 100% of the thickness of the sleeves biting edge which is hidden under the leading end of the sleeve. (See illustration above.)
3. The midsection of the sleeve behind the leading edge has a slight bow to provide contact with the internal taper of the fitting body and form a sealing point.
4. The back (tail) end of the sleeve will be in firm contact with the O.D. of the tube.

D

FLARELESS FITTINGS

Description: **CAP ASSEMBLY**
 Part No.: **C0304-C**
 Stainless Part No.: **C0304-C-SS**

Parker: **FNU**
 Weatherhead: **7129**
 Aeroquip: **/**
 Gates: **/**

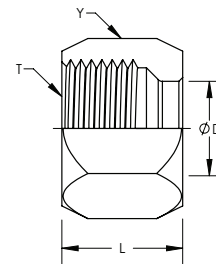


Part #	Y Hex	T	L	L1
C0304-CX02	0.375	5/16-24	0.530	0.580
C0304-CX04	0.563	7/16-20	0.700	0.720
C0304-CX06	0.688	9/16-18	0.750	0.770
C0304-CX08	0.875	3/4-16	0.840	0.930
C0304-CX10	1.000	7/8-14	0.920	0.940
C0304-CX12	1.250	1-1/16-12	0.970	0.930
C0304-CX14	1.375	1-3/16-12	1.000	0.960
C0304-CX16	1.500	1-5/16-12	1.050	1.080
C0304-CX20	2.000	1-5/8-12	1.050	1.190

D

Description: **FLARELESS NUT**
 Part No.: **C0318**
 Stainless Part No.: **C0318-SS**

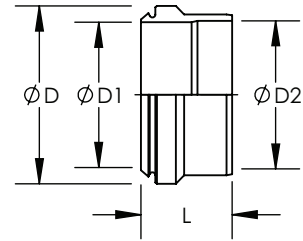
Parker: **BU**
 Weatherhead: **7105**
 Aeroquip: **/**
 Gates: **FFN**



Part #	Y Hex	T	D	L
C0318X02	0.375	5/16-24	0.130	0.530
C0318X03	0.438	3/8-24	0.193	0.610
C0318X04	0.563	7/16-20	0.255	0.700
C0318X05	0.625	1/2-20	0.318	0.720
C0318X06	0.688	9/16-18	0.380	0.750
C0318X08	0.875	3/4-16	0.505	0.840
C0318X10	1.000	7/8-14	0.631	0.920
C0318X12	1.250	1-1/16-12	0.756	0.970
C0318X14	1.375	1-3/16-12	0.881	1.000
C0318X16	1.500	1-5/16-12	1.006	1.050
C0318X20	2.000	1-5/8-12	1.260	1.050
C0318X24	2.250	1-7/8-12	1.510	1.030
C0318X32	2.875	2-1/2-12	2.014	1.120

Description: **STYLE A FERRULE**
Part No.: **C0319**
Stainless Part No.: **C0319-SS**

Parker: TU
Weatherhead: 7165A
Aeroquip: /
Gates: /

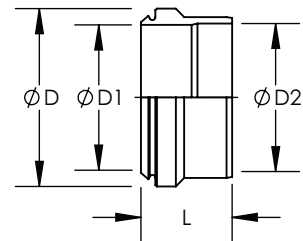


Part #	D	D1	D2	L
C0319X02	0.237	0.130	0.140	0.288
C0319X03	0.307	0.193	0.205	0.329
C0319X04	0.367	0.255	0.268	0.363
C0319X05	0.430	0.318	0.330	0.367
C0319X06	0.492	0.380	0.393	0.393
C0319X08	0.663	0.505	0.521	0.429
C0319X10	0.780	0.631	0.647	0.442
C0319X12	0.925	0.756	0.772	0.475
C0319X14	1.063	0.881	0.897	0.475
C0319X16	1.188	1.006	1.022	0.475
C0319X20	1.446	1.260	1.275	0.475
C0319X24	1.694	1.510	1.524	0.475
C0319AX32	2.210	2.014	2.026	0.509

D

Description: **STYLE B FERRULE**
Part No.: **C0319**
Stainless Part No.: **C0319-SS**

Parker: /
Weatherhead: 7165B
Aeroquip: /
Gates: FFS

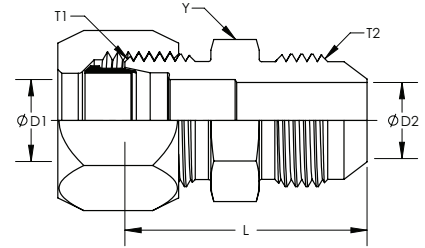


Part #	D	D1	L
C0319X02	0.203	0.129	0.278
C0319X03	0.313	0.190	0.278
C0319X04	0.359	0.255	0.336
C0319X05	0.422	0.318	0.336
C0319X06	0.484	0.380	0.375
C0319X08	0.625	0.506	0.375
C0319X10	0.750	0.633	0.415
C0319X12	0.875	0.758	0.415
C0319X14	1.000	0.883	0.415
C0319X16	1.125	1.008	0.415
C0319X20	1.406	1.260	0.415
C0319X24	1.656	1.511	0.415
C0319X32	2.188	2.014	0.453

FLARELESS FITTINGS

Description: **MALE CONNECTOR TO MALE JIC**
 Part No.: **C2402**
 Stainless Part No.: **C2402-SS**

Parker: /
 Weatherhead: C2402
 Aeroquip: /
 Gates: /

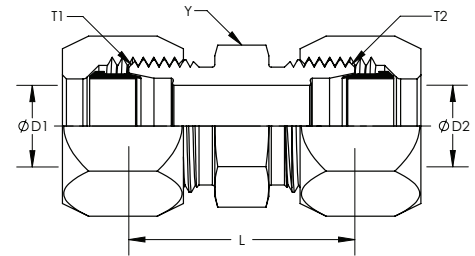


Part #	Y Hex	T1	D1	T2	D2	L
C2402X04X04	0.500	7/16-20	0.203	7/16-20	0.172	1.230
C2402X06X06	0.625	9/16-18	0.281	9/16-18	0.297	1.280
C2402X08X08	0.813	3/4-16	0.422	3/4-16	0.391	1.470

D

Description: **UNION**
 Part No.: **C2403**
 Stainless Part No.: **C2402-SS**

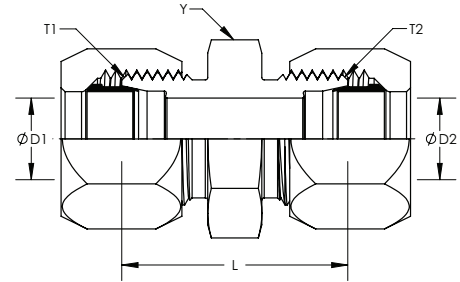
Parker: HBU
 Weatherhead: 7305
 Aeroquip: /
 Gates: /



Part #	Y Hex	T1	D1	T2	D2	L
C2403X02X02	0.438	5/16-24	0.094	5/16-24	0.094	1.020
C2403X03X03	0.438	3/8-24	0.125	3/8-24	0.125	1.110
C2403X04X04	0.500	7/16-20	0.203	7/16-20	0.203	1.180
C2403X05X05	0.563	1/2-20	0.234	1/2-20	0.234	1.180
C2403X06X04	0.625	9/16-18	0.281	7/16-20	0.203	1.220
C2403X06X06	0.625	9/16-18	0.281	9/16-18	0.281	1.240
C2403X08X06	0.813	3/4-16	0.422	9/16-18	0.281	1.330
C2403X08X08	0.813	3/4-16	0.422	3/4-16	0.422	1.420
C2403X10X10	0.938	7/8-14	0.500	7/8-14	0.500	1.610
C2403X12X12	1.125	1-1/16-12	0.656	1-1/16-12	0.656	1.810
C2403X14X14	1.250	1-3/16-12	0.719	1-3/16-12	0.719	1.810
C2403X16X16	1.375	1-5/16-12	0.875	1-5/16-12	0.875	1.810
C2403X20X20	1.688	1-5/8-12	1.094	1-5/8-12	1.094	1.890
C2403X24X24	2.000	1-7/8-12	1.344	1-7/8-12	1.344	1.960
C2403X32X32	2.625	2-1/2-12	1.813	2-1/2-12	1.813	2.110

Description: **LARGE HEX UNION**
Part No.: **C2403-LH**
Stainless Part No.: **C2403-LH-SS**

Parker: LHB
Weatherhead: 7306
Aeroquip: /
Gates: /

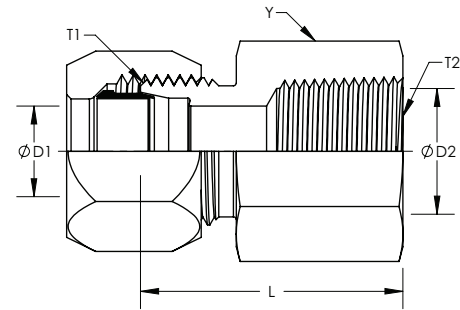


Part #	Y Hex	T1	D1	T2	D2	L
C2403-LHX04X04	0.688	7/16-20	0.203	7/16-20	0.203	1.180
C2403-LHX06X06	0.813	9/16-18	0.281	9/16-18	0.281	1.240
C2403-LHX08X08	1.000	3/4-16	0.422	3/4-16	0.422	1.420
C2403-LHX12X12	1.375	1-1/16-12	0.656	1-1/16-12	0.656	1.810
C2403-LHX16X16	1.625	1-5/16-12	0.875	1-5/16-12	0.875	1.810

D

Description: **FEMALE CONNECTOR**
Part No.: **C2405**
Stainless Part No.: **C2405-SS**

Parker: GBU
Weatherhead: 7255
Aeroquip: /
Gates: /

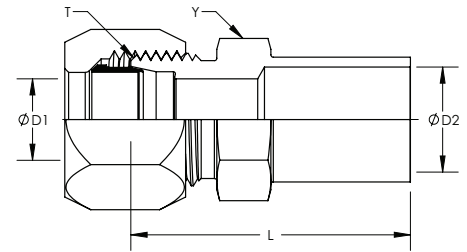


Part #	Y Hex	T1	D1	T2	D2	L
C2405X02X02	0.563	5/16-24	0.094	1/8-27	0.332	1.050
C2405X03X02	0.563	3/8-24	0.125	1/8-27	0.332	1.080
C2405X04X02	0.563	7/16-20	0.203	1/8-27	0.332	1.090
C2405X04X04	0.750	7/16-20	0.203	1/4-18	0.438	1.290
C2405X05X02	0.563	1/2-20	0.234	1/8-27	0.332	1.080
C2405X05X04	0.750	1/2-20	0.234	1/4-18	0.438	1.290
C2405X06X04	0.750	9/16-18	0.281	1/4-18	0.438	1.310
C2405X06X06	0.875	9/16-18	0.281	3/8-18	0.563	1.380
C2405X06X08	1.125	9/16-18	0.281	1/2-14	0.703	1.610
C2405X08X04	0.875	3/4-16	0.422	1/4-18	0.438	1.460
C2405X08X06	0.875	3/4-16	0.422	3/8-18	0.563	1.470
C2405X08X08	1.125	3/4-16	0.422	1/2-14	0.703	1.700
C2405X10X08	1.125	7/8-14	0.500	1/2-14	0.703	1.760
C2405X12X12	1.375	1-1/16-12	0.656	3/4-14	0.906	1.890
C2405X14X12	1.375	1-3/16-12	0.719	3/4-14	0.906	1.860
C2405X16X12	1.625	1-5/16-12	0.875	3/4-14	0.906	1.900
C2405X16X16	1.625	1-5/16-12	0.875	1-11-1/2	1.141	2.130
C2405X20X20	2.000	1-5/8-12	1.094	1-1/4-11-1/2	1.484	2.220

FLARELESS FITTINGS

Description: **REDUCER**
 Part No.: **C2406**
 Stainless Part No.: **C2406-SS**

Parker: TRBU
 Weatherhead: 7015
 Aeroquip: /
 Gates: /

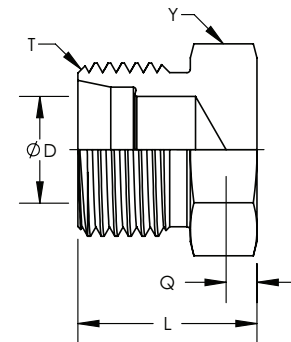


Part #	Y Hex	T	D1	D2	L
C2406X06X04	0.500	7/16-20	0.203	0.250	1.610
C2406X06X12	1.125	1-1/16-12	0.656	0.250	2.000
C2406X08X04	0.563	7/16-20	0.203	0.375	1.730
C2406X08X06	0.625	9/16-18	0.281	0.375	1.770
C2406X10X04	0.688	7/16-20	0.203	0.500	1.850
C2406X10X08	0.813	3/4-16	0.422	0.500	1.960
C2406X12X06	0.813	9/16-18	0.281	0.625	1.930
C2406X12X08	0.813	3/4-16	0.422	0.625	2.030
C2406X16X12	1.125	1-1/16-12	0.656	0.844	2.240
C2406X20X16	1.375	1-5/16-12	0.875	1.031	2.280

D

Description: **PLUG**
 Part No.: **C2408**
 Stainless Part No.: **C2408-SS**

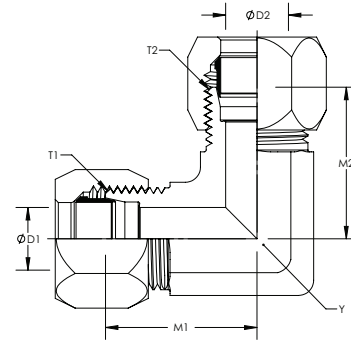
Parker: PNU
 Weatherhead: 7229
 Aeroquip: /
 Gates: /



Part #	Y Hex	T	D	Q	L
C2408X02	0.438	5/16-24	0.094	0.110	0.630
C2408X04	0.500	7/16-20	0.203	0.110	0.710
C2408X05	0.563	1/2-20	0.234	0.120	0.710
C2408X06	0.625	9/16-18	0.281	0.120	0.750
C2408X08	0.813	3/4-16	0.422	0.160	0.850
C2408X10	0.938	7/8-14	0.500	0.160	0.970
C2408X12	1.125	1-1/16-12	0.656	0.190	1.100
C2408X16	1.375	1-5/16-12	0.875	0.190	1.100

Description: **90° UNION ELBOW**
Part No.: **C2500**
Stainless Part No.: **C2500-SS**

Parker: **EBU**
Weatherhead: **7505**
Aeroquip: **/**
Gates: **/**

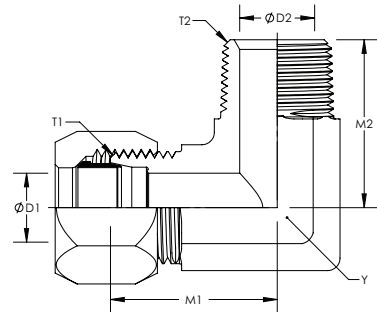


Part #	Y Hex	T1	M1	D1	T2	M2	D2
C2500X03X03	0.438	3/8-24	0.830	0.125	3/8-24	0.830	0.125
C2500X04X04	0.438	7/16-20	0.890	0.203	7/16-20	0.890	0.203
C2500X05X05	0.563	1/2-20	0.950	0.234	1/2-20	0.950	0.234
C2500X06X06	0.563	9/16-18	1.050	0.281	9/16-18	1.050	0.281
C2500X08X04	0.750	3/4-16	1.250	0.422	7/16-20	1.120	0.203
C2500X08X08	0.750	3/4-16	1.250	0.422	3/4-16	1.250	0.422
C2500X10X10	0.875	7/8-14	1.420	0.500	7/8-14	1.420	0.500
C2500X12X12	1.063	1-1/16-12	1.580	0.656	1-1/16-12	1.580	0.656
C2500X14X14	1.313	1-3/16-12	1.660	0.719	1-3/16-12	1.660	0.719
C2500X16X16	1.313	1-5/16-12	1.730	0.875	1-5/16-12	1.730	0.875
C2500X20X20	1.625	1-5/8-12	1.890	1.094	1-5/8-12	1.890	1.094
C2500X24X24	1.875	1-7/8-12	2.020	1.344	1-7/8-12	2.020	1.344

D

Description: **90° MALE ELBOW**
Part No.: **C2501**
WWF Stainless Part No.: **C2501-SS**

Parker: **CBU**
Weatherhead: **7405**
Aeroquip: **/**
Gates: **/**



Part #	Y Hex	T1	M1	D1	T2	M2	D2
C2501X02X02	0.438	5/16-24	0.770	0.094	1/8-27	0.720	0.188
C2501X03X02	0.438	3/8-24	0.830	0.125	1/8-27	0.720	0.188
C2501X04X02	0.438	7/16-20	0.890	0.203	1/8-27	0.780	0.188
C2501X04X04	0.563	7/16-20	1.030	0.203	1/4-18	1.090	0.281
C2501X05X02	0.563	1/2-20	0.950	0.234	1/8-27	0.810	0.188
C2501X05X04	0.563	1/2-20	1.030	0.234	1/4-18	1.090	0.281
C2501X06X02	0.563	9/16-18	1.050	0.281	1/8-27	0.900	0.188
C2501X06X04	0.563	9/16-18	1.050	0.281	1/4-18	1.090	0.281
C2501X06X06	0.750	9/16-18	1.140	0.281	3/8-18	1.220	0.406
C2501X06X08	0.875	9/16-18	1.240	0.281	1/2-14	1.470	0.531
C2501X08X04	0.750	3/4-16	1.250	0.422	1/4-18	1.220	0.281
C2501X08X06	0.750	3/4-16	1.250	0.422	3/8-18	1.220	0.406
C2501X08X08	0.875	3/4-16	1.350	0.422	1/2-14	1.470	0.531
C2501X08X12	1.063	3/4-16	1.430	0.422	3/4-14	1.590	0.719

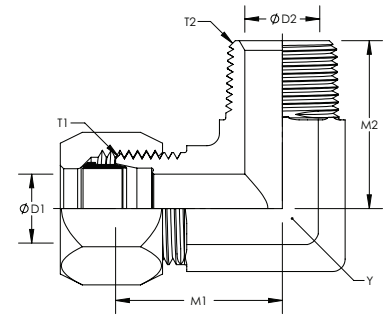
Continued on page 158

FLARELESS FITTINGS

Continued from page 157

Description: **90° MALE ELBOW**
 Part No.: **C2501**
 Stainless Part No.: **C2501-SS**

Parker: CBU
 Weatherhead: 7405
 Aeroquip: /
 Gates: /

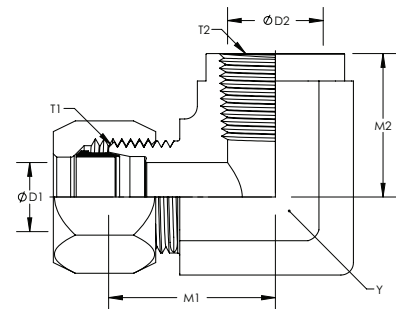


Part #	Y Hex	T1	M1	D1	T2	M2	D2
C2501X08X16	1.313	3/4-16	1.580	0.422	1-11-1/2	1.970	0.938
C2501X10X06	0.875	7/8-14	1.420	0.500	3/8-18	1.280	0.406
C2501X10X08	0.875	7/8-14	1.420	0.500	1/2-14	1.470	0.531
C2501X12X08	1.063	1-1/16-12	1.580	0.656	1/2-14	1.590	0.531
C2501X12X12	1.063	1-1/16-12	1.580	0.656	3/4-14	1.590	0.719
C2501X14X12	1.313	1-3/16-12	1.660	0.719	3/4-14	1.690	0.719
C2501X16X12	1.313	1-5/16-12	1.730	0.875	3/4-14	1.780	0.719
C2501X16X16	1.313	1-5/16-12	1.730	0.875	1-11-1/2	1.970	0.938
C2501X20X20	1.625	1-5/8-12	1.890	1.094	1-1/4-11-1/2	2.380	1.250
C2501X24X24	1.875	1-7/8-12	2.020	1.344	1-1/2-11-1/2	2.640	1.500
C2501X32X32	2.500	2-1/2-12	2.450	1.813	2-11-1/2	3.000	1.938

D

Description: **90° FEMALE ELBOW**
 Part No.: **C2502**
 Stainless Part No.: **C2502-SS**

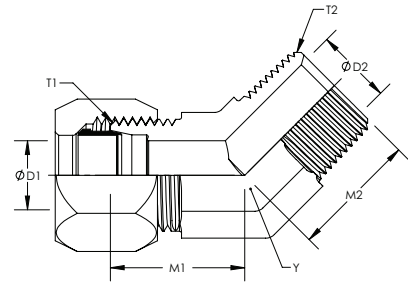
Parker: DBU
 Weatherhead: 7455
 Aeroquip: /
 Gates: /



Part #	Y Hex	T1	M1	D1	T2	M2	D2
C2502X03X02	0.563	3/8-24	0.830	0.125	1/8-27	0.660	0.332
C2502X04X02	0.563	7/16-20	0.890	0.203	1/8-27	0.660	0.332
C2502X04X04	0.750	7/16-20	1.030	0.203	1/4-18	0.880	0.438
C2502X05X02	0.563	1/2-20	0.950	0.234	1/8-27	0.660	0.332
C2502X06X04	0.750	9/16-18	1.050	0.281	1/4-18	0.880	0.438
C2502X06X06	0.875	9/16-18	1.120	0.281	3/8-18	1.020	0.563
C2502X08X04	0.875	3/4-16	1.230	0.422	1/4-18	1.010	0.438
C2502X08X06	0.875	3/4-16	1.230	0.422	3/8-18	1.020	0.563
C2502X08X08	1.063	3/4-16	1.350	0.422	1/2-14	1.230	0.703
C2502X10X08	1.063	7/8-14	1.420	0.500	1/2-14	1.230	0.703
C2502X12X12	1.313	1-1/16-12	1.580	0.656	3/4-14	1.360	0.906
C2502X14X12	1.313	1-3/16-12	1.620	0.719	3/4-14	1.420	0.906
C2502X16X16	1.625	1-5/16-12	1.730	0.875	1-11-1/2	1.620	1.141
C2502X24X24	2.562	1-7/8-12	2.580	1.344	1-1/2-11-1/2	2.080	1.744

Description: **45° MALE ELBOW**
Part No.: **C2503**
Stainless Part No.: **C2503-SS**

Parker: **VBU**
Weatherhead: **7355**
Aeroquip: **/**
Gates: **/**

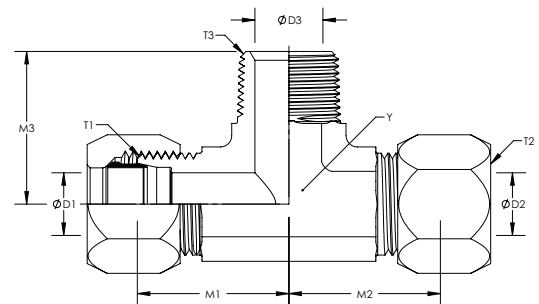


Part #	Y Hex	T1	M1	D1	T2	M2	D2
C2503X04X02	0.438	7/16-20	0.700	0.203	1/8-27	0.640	0.188
C2503X04X04	0.563	7/16-20	0.810	0.203	1/4-18	0.860	0.281
C2503X05X02	0.563	1/2-20	0.750	0.234	1/8-27	0.640	0.188
C2503X06X04	0.563	9/16-18	0.830	0.281	1/4-18	0.860	0.281
C2503X08X06	0.750	3/4-16	0.980	0.422	3/8-18	0.950	0.406
C2503X08X08	0.875	3/4-16	1.010	0.422	1/2-14	1.170	0.531
C2503X08X16	1.313	3/4-16	1.210	0.422	1-11-1/2	1.480	0.938
C2503X10X08	0.875	7/8-14	1.080	0.500	1/2-14	1.170	0.531
C2503X12X12	1.063	1-1/16-12	1.270	0.656	3/4-14	1.200	0.719
C2503X14X12	1.313	1-3/16-12	1.340	0.719	3/4-14	1.300	0.719
C2503X16X16	1.313	1-5/16-12	1.360	0.875	1-11-1/2	1.480	0.938
C2503X14X12	1.313	1-3/16-12	1.620	0.719	3/4-14	1.420	0.906
C2503X16X16	1.625	1-5/16-12	1.730	0.875	1-11-1/2	1.620	1.141
C2503X24X24	2.562	1-7/8-12	2.580	1.344	1-1/2-11-1/2	2.080	1.744

D

Description: **MALE BRANCH TEE**
Part No.: **C2601**
Stainless Part No.: **C2601-SS**

Parker: **SBU**
Weatherhead: **7605**
Aeroquip: **/**
Gates: **/**

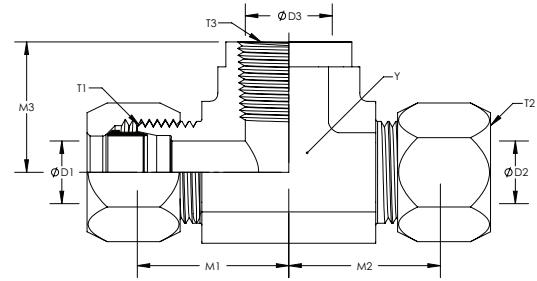


Part #	Y Hex	T1	M1	D1	T2	M2	D2	T3	M3	D3
C2601X02X02X02	0.438	5/16-24	0.770	0.094	5/16-24	0.770	0.094	1/8-27	0.720	0.188
C2601X04X04X02	0.438	7/16-20	0.890	0.203	7/16-20	0.890	0.203	1/8-27	0.780	0.188
C2601X04X04X04	0.563	7/16-20	1.030	0.203	7/16-20	1.030	0.203	1/4-18	1.090	0.281
C2601X05X05X02	0.563	1/2-20	0.950	0.234	1/2-20	0.950	0.234	1/8-27	0.810	0.188
C2601X06X06X04	0.563	9/16-18	1.050	0.281	9/16-18	1.050	0.281	1/4-18	1.090	0.281
C2601X08X08X06	0.750	3/4-16	1.250	0.422	3/4-16	1.250	0.422	3/8-18	1.220	0.406
C2601X08X08X08	0.875	3/4-16	1.350	0.422	3/4-16	1.350	0.422	1/2-14	1.470	0.531
C2601X10X08X08	0.875	7/8-14	1.420	0.500	3/4-16	1.350	0.422	1/2-14	1.470	0.531
C2601X10X10X08	0.875	7/8-14	1.420	0.500	7/8-14	1.420	0.500	1/2-14	1.470	0.531
C2601X12X12X12	1.063	1-1/16-12	1.580	0.656	1-1/16-12	1.580	0.656	3/4-14	1.590	0.719
C2601X14X14X12	1.313	1-3/16-12	1.660	0.719	1-3/16-12	1.660	0.719	3/4-14	1.690	0.719
C2601X16X16X16	1.313	1-5/16-12	1.730	0.875	1-5/16-12	1.730	0.875	1-11-1/2	1.970	0.938
C2601X20X20X20	1.625	1-5/8-12	1.890	1.094	1-5/8-12	1.890	1.094	1-1/4-11-1/2	2.380	1.250

FLARELESS FITTINGS

Description: **FEMALE BRANCH TEE**
 Part No.: **C2602**
 Stainless Part No.: **C2602-SS**

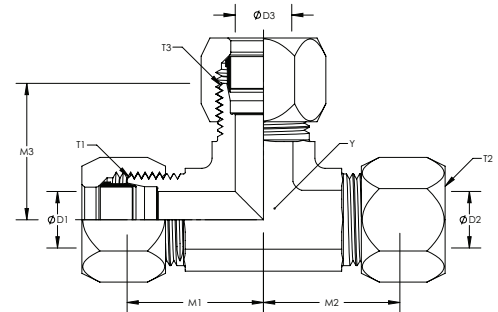
Parker: **OBU**
 Weatherhead: **7655**
 Aeroquip: **/**
 Gates: **/**



Part #	Y Hex	T1	M1	D1	T2	M2	D2	T3	M3	D3
C2602X04X04X02	0.563	7/16-20	0.890	0.203	7/16-20	0.890	0.203	1/8-27	0.660	0.322
C2602X04X04X04	0.750	7/16-20	1.030	0.203	7/16-20	1.030	0.203	1/4-18	0.880	0.438
C2602X06X06X04	0.750	9/16-18	1.050	0.281	9/16-18	1.050	0.281	1/4-18	0.880	0.438
C2602X06X06X06	0.875	9/16-18	1.140	0.281	9/16-18	1.140	0.281	3/8-18	1.020	0.563
C2602X08X08X06	0.875	3/4-16	1.230	0.422	3/4-16	1.230	0.422	3/8-18	1.020	0.563
C2602X08X08X08	1.063	3/4-16	1.350	0.422	3/4-16	1.350	0.422	1/2-14	1.230	0.703
C2602X10X10X08	1.063	7/8-14	1.420	0.500	7/8-14	1.420	0.500	1/2-14	1.230	0.703
C2602X12X12X12	1.313	1-1/16-12	1.580	0.656	1-1/16-12	1.580	0.656	3/4-14	1.360	0.906
C2602X16X16X16	1.625	1-5/16-12	1.730	0.875	1-5/16-12	1.730	0.875	1-11-1/2	1.620	1.141
C2602X20X20X20	1.875	1-5/8-12	2.080	1.094	1-5/8-12	2.080	1.094	1-1/4-11-1/2	1.700	1.484

Description: **UNION TEE**
 Part No.: **C2603**
 Stainless Part No.: **C2603-SS**

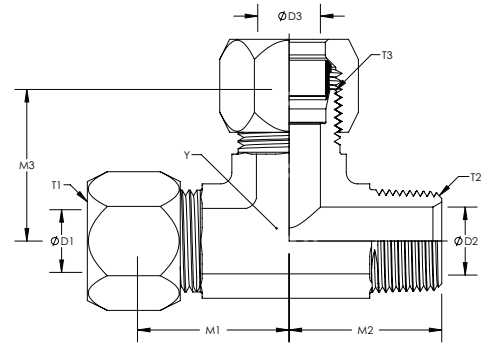
Parker: **JBU**
 Weatherhead: **7705**
 Aeroquip: **/**
 Gates: **/**



Part #	Y Hex	T1	M1	D1	T2	M2	D2	T3	M3	D3
C2603X02X02X02	0.438	5/16-24	0.770	0.094	5/16-24	0.770	0.094	5/16-24	0.770	0.094
C2603X03X03X03	0.438	3/8-24	0.830	0.125	3/8-24	0.830	0.125	3/8-24	0.830	0.125
C2603X04X04X04	0.438	7/16-20	0.890	0.203	7/16-20	0.890	0.203	7/16-20	0.890	0.203
C2603X05X05X05	0.563	1/2-20	0.950	0.234	1/2-20	0.950	0.234	1/2-20	0.950	0.234
C2603X06X06X06	0.563	9/16-18	1.050	0.281	9/16-18	1.050	0.281	9/16-18	1.050	0.281
C2603X08X08X06	0.750	3/4-16	1.250	0.422	3/4-16	1.250	0.422	9/16-18	1.140	0.281
C2603X08X08X08	0.750	3/4-16	1.250	0.422	3/4-16	1.250	0.422	3/4-16	1.250	0.422
C2603X10X10X08	0.875	7/8-14	1.420	0.500	7/8-14	1.420	0.500	3/4-16	1.350	0.422
C2603X10X10X10	0.875	7/8-14	1.420	0.500	7/8-14	1.420	0.500	7/8-14	1.420	0.500
C2603X12X12X12	1.063	1-1/16-12	1.580	0.656	1-1/16-12	1.580	0.656	1-1/16-12	1.580	0.656
C2603X14X14X14	1.313	1-3/16-12	1.660	0.719	1-3/16-12	1.660	0.719	1-3/16-12	1.660	0.719
C2603X16X16X16	1.313	1-5/16-12	1.730	0.875	1-5/16-12	1.730	0.875	1-5/16-12	1.730	0.875
C2603X20X20X20	1.625	1-5/8-12	1.890	1.094	1-5/8-12	1.890	1.094	1-5/8-12	1.890	1.094
C2603X24X24X24	1.875	1-7/8-12	2.020	1.344	1-7/8-12	2.020	1.344	1-7/8-12	2.020	1.344
C2603X32X32X32	2.500	2-1/2-12	2.450	1.813	2-1/2-12	2.450	1.813	2-1/2-12	2.450	1.813

Description: **MALE RUN TEE**
Part No.: **C2605**
Stainless Part No.: **C2605-SS**

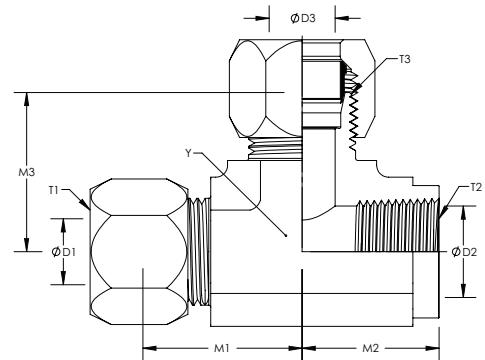
Parker: **RBU**
Weatherhead: **7755**
Aeroquip: **/**
Gates: **/**



Part #	Y Hex	T1	M1	D1	T2	M2	D2	T3	M3	D3
C2605X04X02X04	0.438	7/16-20	0.890	0.203	1/8-27	0.780	0.188	7/16-20	0.890	0.203
C2605X04X04X04	0.563	7/16-20	1.030	0.203	1/4-18	1.090	0.281	7/16-20	1.030	0.203
C2605X05X02X05	0.563	1/2-20	0.950	0.234	1/8-27	0.810	0.188	1/2-20	0.950	0.234
C2605X06X04X06	0.563	9/16-18	1.050	0.281	1/4-18	1.090	0.281	9/16-18	1.050	0.281
C2605X06X06X06	0.750	9/16-18	1.140	0.281	3/8-18	1.220	0.406	9/16-18	1.140	0.281
C2605X08X06X08	0.750	3/4-16	1.250	0.422	3/8-18	1.220	0.406	3/4-16	1.250	0.422
C2605X08X08X08	0.875	3/4-16	1.350	0.422	1/2-14	1.470	0.531	3/4-16	1.350	0.422
C2605X10X08X10	0.875	7/8-14	1.420	0.500	1/2-14	1.470	0.531	7/8-14	1.420	0.500
C2605X12X12X12	1.063	1-1/16-12	1.580	0.656	3/4-14	1.590	0.719	1-1/16-12	1.580	0.656
C2605X14X12X14	1.313	1-3/16-12	1.660	0.719	3/4-14	1.690	0.719	1-3/16-12	1.660	0.719
C2605X16X16X16	1.313	1-5/16-12	1.730	0.875	1-11-1/2	1.970	0.938	1-5/16-12	1.730	0.875
C2605X24X24X24	1.875	1-7/8-12	2.020	1.344	1-1/2-11-1/2	2.640	1.500	1-7/8-12	2.020	1.344

Description: **FEMALE RUN TEE**
Part No.: **C2606**
Stainless Part No.: **C2606-SS**

Parker: **MBU**
Weatherhead: **7805**
Aeroquip: **/**
Gates: **/**

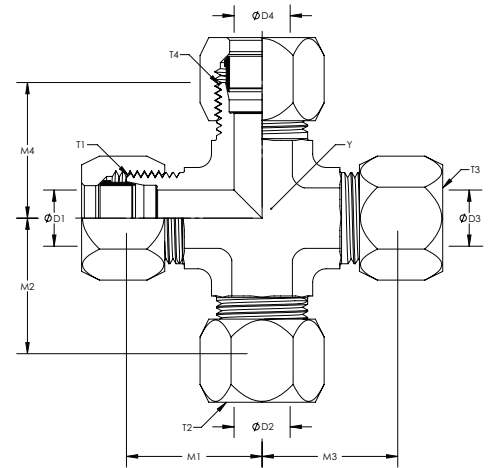


Part #	Y Hex	T1	M1	D1	T2	M2	D2	T3	M3	D3
C2606X04X02X04	0.563	7/16-20	0.890	0.203	1/8-27	0.660	0.322	7/16-20	0.890	0.203
C2606X04X04X04	0.750	7/16-20	1.030	0.203	1/4-18	0.880	0.438	7/16-20	1.030	0.203
C2606X06X04X06	0.750	9/16-18	1.050	0.281	1/4-18	0.880	0.438	9/16-18	1.050	0.281
C2606X08X06X08	0.875	3/4-16	1.230	0.422	3/8-18	1.020	0.563	3/4-16	1.230	0.422
C2606X10X08X10	1.063	7/8-14	1.420	0.500	1/2-14	1.230	0.703	7/8-14	1.420	0.500
C2606X12X12X12	1.313	1-1/16-12	1.580	0.656	3/4-14	1.360	0.906	1-1/16-12	1.580	0.656
C2606X14X12X14	1.313	1-3/16-12	1.620	0.719	3/4-14	1.420	0.906	1-3/16-12	1.620	0.719

FLARELESS FITTINGS

Description: **CROSS**
 Part No.: **C2650**
 Stainless Part No.: **C2650-SS**

Parker: **KBU**
 Weatherhead: **7955**
 Aeroquip: **/**
 Gates: **/**

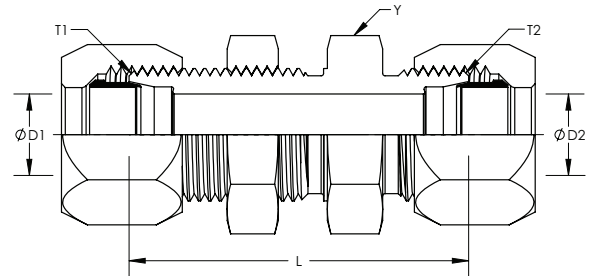


Part #	Y Hex	T1/T3	M1/M3	D1/D3	T2/T4	M2/M4	D2/D4
C2650X12X12X12X12	1.063	1-1/16-12	1.580	0.656	1-1/16-12	1.580	0.656
C2650X10X10X10X10	0.875	7/8-14	1.420	0.500	7/8-14	1.420	0.500
C2650X08X08X08X08	0.750	3/4-16	1.250	0.422	3/4-16	1.250	0.422
C2650X06X06X06X06	0.563	9/16-18	1.050	0.281	9/16-18	1.050	0.281
C2650X05X05X05X05	0.563	1/2-20	0.950	0.234	1/2-20	0.950	0.234
C2650X04X04X04X04	0.438	7/16-20	0.890	0.203	7/16-20	0.890	0.203

D

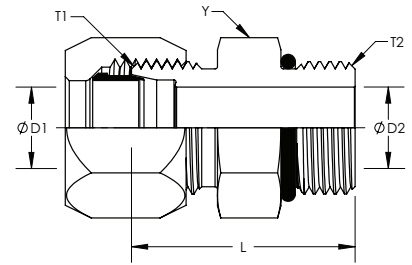
Description: **BULKHEAD UNION**
 Part No.: **C2700**
 Stainless Part No.: **C2700-SS**

Parker: **WBU**
 Weatherhead: **7325**
 Aeroquip: **/**
 Gates: **/**



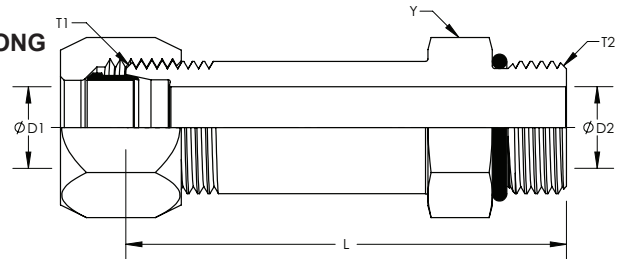
Part #	Y Hex	T1	D1	T2	D2	L
C2700X03X03	0.625	3/8-24	0.125	3/8-24	0.125	1.800
C2700X04X04	0.688	7/16-20	0.203	7/16-20	0.203	1.890
C2700X05X05	0.750	1/2-20	0.234	1/2-20	0.234	1.890
C2700X06X06	0.813	9/16-18	0.281	9/16-18	0.281	1.980
C2700X08X08	1.000	3/4-16	0.422	3/4-16	0.422	2.220
C2700X10X10	1.125	7/8-14	0.500	7/8-14	0.500	2.480
C2700X12X12	1.375	1-1/16-12	0.656	1-1/16-12	0.656	2.720
C2700X14X14	1.500	1-3/16-12	0.719	1-3/16-12	0.719	2.720
C2700X16X16	1.625	1-5/16-12	0.875	1-5/16-12	0.875	2.720

Description: **STRAIGHT THREAD CONNECTOR SHORT**
 Part No.: **C6400**
 Stainless Part No.: **C6400-SS**
 Parker: **F5BU**
 Weatherhead: **7315**
 Aeroquip: **/**
 Gates: **/**



Part #	Y Hex	T1	D1	T2	D2	L
C6400X03X03	0.500	3/8-24	0.125	3/8-24	0.125	1.040
C6400X04X04	0.563	7/16-20	0.203	7/16-20	0.203	1.130
C6400X04X05	0.625	7/16-20	0.203	1/2-20	0.234	1.130
C6400X04X06	0.688	7/16-20	0.203	9/16-18	0.281	1.190
C6400X05X05	0.625	1/2-20	0.234	1/2-20	0.234	1.130
C6400X06X06	0.688	9/16-18	0.281	9/16-18	0.281	1.210
C6400X06X08	0.875	9/16-18	0.281	3/4-16	0.422	1.290
C6400X08X06	0.813	3/4-16	0.422	9/16-18	0.281	1.340
C6400X08X08	0.875	3/4-16	0.422	3/4-16	0.422	1.380
C6400X08X10	1.000	3/4-16	0.422	7/8-14	0.500	1.510
C6400X08X12	1.250	3/4-16	0.422	1-1/16-12	0.656	1.760
C6400X10X08	1.000	7/8-14	0.500	3/4-16	0.422	1.510
C6400X10X10	1.000	7/8-14	0.500	7/8-14	0.500	1.570
C6400X12X06	1.125	1-1/16-12	0.656	9/16-18	0.281	1.680
C6400X12X10	1.125	1-1/16-12	0.656	7/8-14	0.500	1.700
C6400X12X12	1.250	1-1/16-12	0.656	1-1/16-12	0.656	1.790
C6400X12X16	1.500	1-1/16-12	0.656	1-5/16-12	0.875	1.820
C6400X14X14	1.375	1-3/16-12	0.719	1-3/16-12	0.719	1.790
C6400X16X12	1.375	1-5/16-12	0.875	1-1/16-12	0.656	1.820
C6400X16X16	1.500	1-5/16-12	0.875	1-5/16-12	0.875	1.820
C6400X20X20	1.875	1-5/8-12	1.094	1-5/8-12	1.094	1.900
C6400X24X24	2.125	1-7/8-12	1.344	1-7/8-12	1.344	1.970
C6400X32X32	2.750	2-1/2-12	1.813	2-1/2-12	1.813	2.130

Description: **STRAIGHT THREAD CONNECTOR LONG**
 Part No.: **C6400-L**
 Stainless Part No.: **C6400-L-SS**
 Parker: **/**
 Weatherhead: **7316**
 Aeroquip: **/**
 Gates: **/**

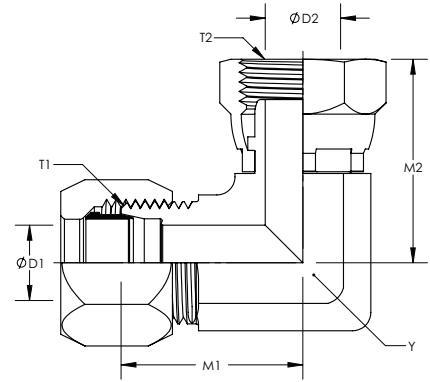


Part #	Y Hex	T1	D1	T2	D2	L
C6400-LX04X04	0.563	7/16-20	0.203	7/16-20	0.203	2.020
C6400-LX06X06	0.688	9/16-18	0.281	9/16-18	0.281	2.230
C6400-LX08X08	0.875	3/4-16	0.422	3/4-16	0.422	2.620
C6400-LX10X10	1.000	7/8-14	0.500	7/8-14	0.500	2.980

FLARELESS FITTINGS

Description: **90° SWIVEL ELBOW**
 Part No.: **C6500**
 Stainless Part No.: **C6500-SS**

Parker: C6BU
 Weatherhead: 7506
 Aeroquip: /
 Gates: /

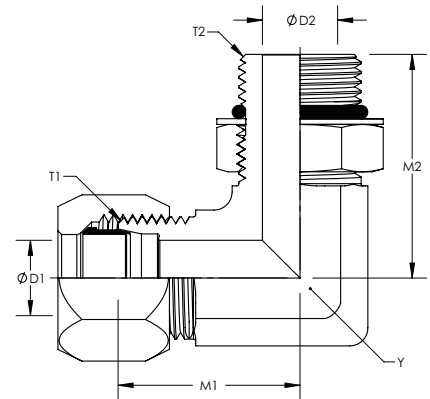


Part #	Y Hex	T1	M1	D1	T2	M2	D2
C6500X04X04	0.438	7/16-20	0.890	0.203	7/16-20	1.050	0.203
C6500X06X06	0.563	9/16-18	1.050	0.281	9/16-18	1.280	0.281
C6500X08X08	0.750	3/4-16	1.250	0.422	3/4-16	1.470	0.422

D

Description: **90° STRAIGHT THREAD ELBOW**
 Part No.: **C6801**
 Stainless Part No.: **C6801-SS**

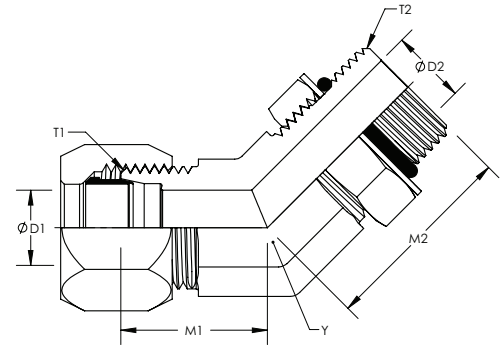
Parker: C5BU
 Weatherhead: 7515
 Aeroquip: /
 Gates: /



Part #	Y Hex	T1	M1	D1	T2	M2	D2
C6801X02X02	0.438	5/16-24	0.770	0.094	5/16-24	0.910	0.094
C6801X04X04	0.438	7/16-20	0.890	0.203	7/16-20	1.030	0.203
C6801X04X06	0.563	7/16-20	1.030	0.203	9/16-18	1.250	0.281
C6801X05X05	0.563	1/2-20	0.950	0.234	1/2-20	1.130	0.234
C6801X06X05	0.563	9/16-18	1.050	0.281	1/2-20	1.190	0.234
C6801X06X06	0.563	9/16-18	1.050	0.281	9/16-18	1.250	0.281
C6801X06X08	0.750	9/16-18	1.140	0.281	3/4-16	1.450	0.422
C6801X06X10	0.875	9/16-18	1.240	0.281	7/8-14	1.700	0.500
C6801X08X06	0.750	3/4-16	1.250	0.422	9/16-18	1.320	0.281
C6801X08X08	0.750	3/4-16	1.250	0.422	3/4-16	1.450	0.422
C6801X08X10	0.875	3/4-16	1.350	0.422	7/8-14	1.700	0.500
C6801X08X12	1.063	3/4-16	1.430	0.422	1-1/16-12	1.940	0.656
C6801X10X10	0.875	7/8-14	1.420	0.500	7/8-14	1.700	0.500
C6801X10X12	1.063	7/8-14	1.500	0.500	1-1/16-12	1.940	0.656
C6801X12X08	1.063	1-1/16-12	1.580	0.656	3/4-16	1.620	0.422
C6801X12X12	1.063	1-1/16-12	1.580	0.656	1-1/16-12	1.940	0.656
C6801X16X16	1.313	1-5/16-12	1.730	0.875	1-5/16-12	2.050	0.875
C6801X20X20	1.625	1-5/8-12	1.890	1.094	1-5/8-12	2.250	1.094
C6801X24X24	1.875	1-7/8-12	2.020	1.344	1-7/8-12	2.390	1.344

Description: **45° STRAIGHT THREAD ELBOW**
Part No.: **C6802**
Stainless Part No.: **C6802-SS**

Parker: V5BU
Weatherhead: 7365
Aeroquip: /
Gates: /

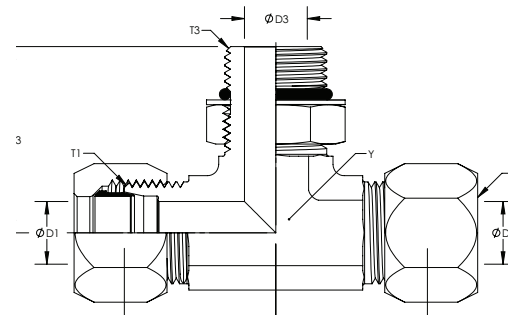


Part #	Y Hex	T1	M1	D1	T2	M2	D2
C6802X08X08	0.750	3/4-16	0.980	0.422	3/4-16	1.300	0.422
C6802X12X12	1.063	1-1/16-12	1.270	0.656	1-1/16-12	1.730	0.656
C6802X16X16	1.313	1-5/16-12	1.360	0.875	1-5/16-12	1.860	0.875
C6802X20X20	1.625	1-5/8-12	1.450	1.094	1-5/8-12	1.910	1.094

D

Description: **STRAIGHT THREAD BRANCH TEE**
Part No.: **C6803**
Stainless Part No.: **C6803-SS**

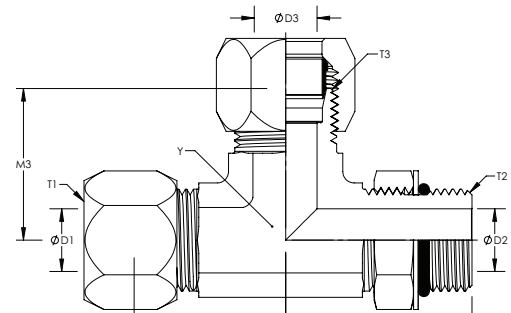
Parker: S5BU
Weatherhead: 7715
Aeroquip: /
Gates: /



Part #	Y Hex	T1	M1	D1	T2	M2	D2	T3	M3	D3
C6803X04X04X04	0.438	7/16-20	0.890	0.203	7/16-20	0.890	0.203	7/16-20	1.030	0.203
C6803X06X06X06	0.563	9/16-18	1.050	0.281	9/16-18	1.050	0.281	9/16-18	1.250	0.281
C6803X08X08X08	0.750	3/4-16	1.250	0.422	3/4-16	1.250	0.422	3/4-16	1.450	0.422

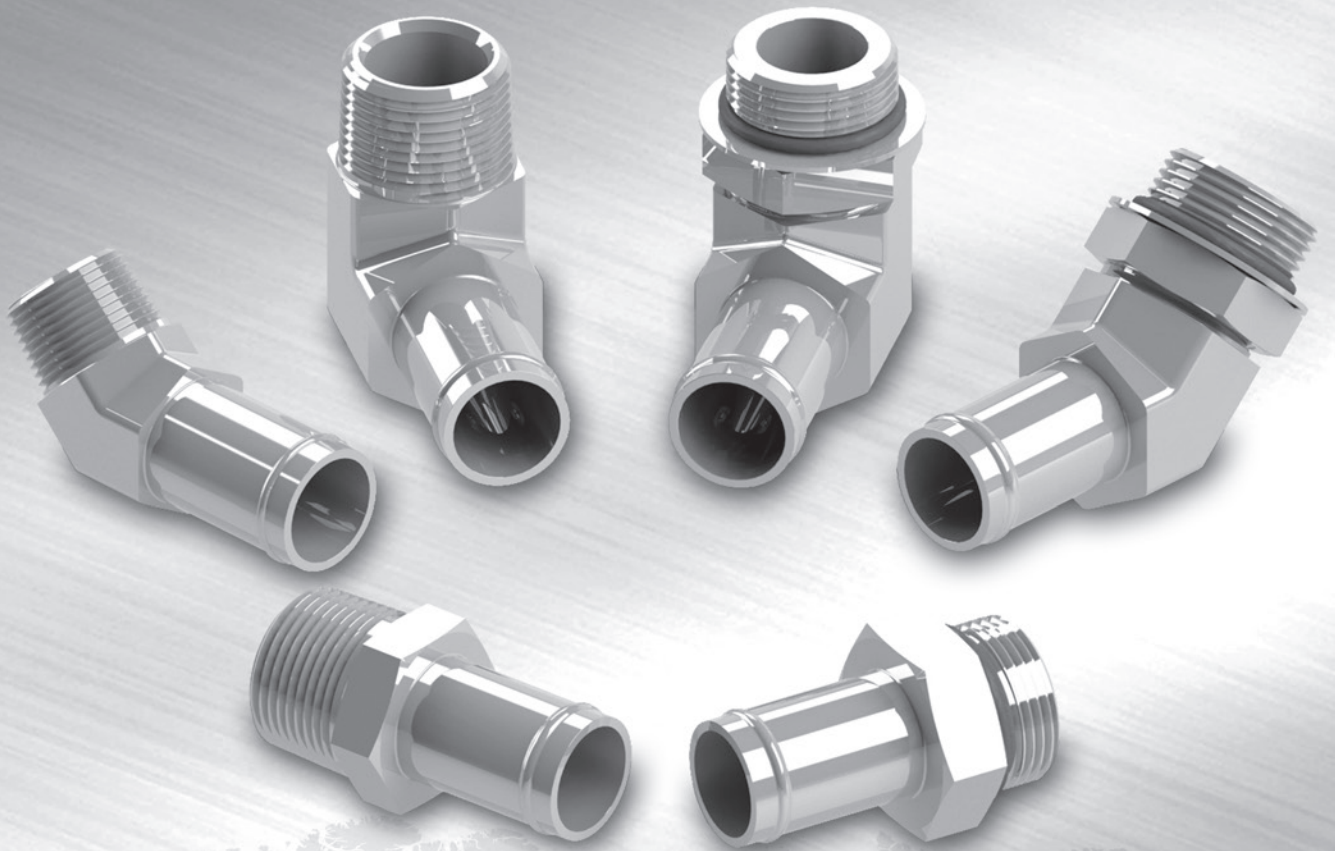
Description: **STRAIGHT THREAD RUN TEE**
Part No.: **C6804**
Stainless Part No.: **C6804-SS**

Parker: R5BU
Weatherhead: 7716
Aeroquip: /
Gates: /



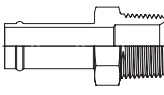
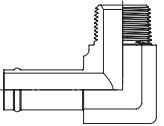
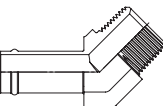
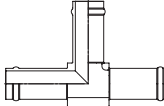
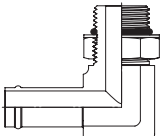
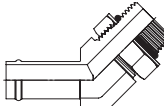
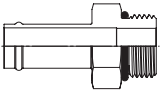
Part #	Y Hex	T1	M1	D1	T2	M2	D2	T3	M3	D3
C6804X04X04X04	0.438	7/16-20	0.890	0.203	7/16-20	1.030	0.203	7/16-20	0.890	0.203
C6804X06X06X06	0.563	9/16-18	1.050	0.281	9/16-18	1.250	0.281	9/16-18	1.050	0.281
C6804X08X08X08	0.750	3/4-16	1.250	0.422	3/4-16	1.450	0.422	3/4-16	1.250	0.422

WORLD WIDE FITTINGS inc.

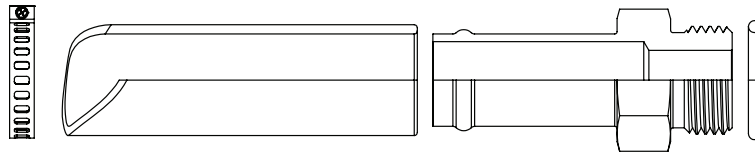


BEADED HOSE BARBS

BEADED HOSE BARBS

<p>Pg. 170</p> <p>4404</p>  <p>4404 Male Pipe Thread Hose Connector</p>	<p>Pg. 171</p> <p>4501</p>  <p>4501 90° Male Pipe Hose Fitting</p>	<p>Pg. 172</p> <p>4503</p>  <p>4503 45° Male Pipe Hose Fitting</p>	<p>Pg. 172</p> <p>4504</p>  <p>4504 Hose Barb Tee</p>	<p>Pg. 173</p> <p>4601</p>  <p>4601 90° Straight Thread Hose Fitting</p>	<p>Pg. 174</p> <p>4603</p>  <p>4603 45° Straight Thread Hose Fitting</p>	<p>Pg. 175</p> <p>4604</p>  <p>4604 Male Straight Thread Hose Connector</p>
--	---	---	--	--	---	--

E



Barb End Series Assembly

CONSTRUCTION

Straight Fittings are machined from bar stock.
Shaped Fittings (Elbows, Tees) are made from forgings.
Beaded Fittings meet SAE J1231 specifications.

APPLICATIONS

For use in low pressure automotive and hydraulic systems.

MATERIAL

Steel – 12L14, 1215, 1045

PLATING

Clear Zinc Trivalent

ASSEMBLY

Beaded Fittings are intended to be used with hose clamps.
(See SAE J1508)

BEADED HOSE BARBS

Description: **MALE PIPE THREAD HOSE CONNECTOR**

Part No.: **4404**

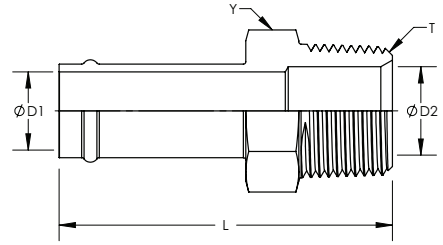
Stainless Part No.: **4404-SS**

Parker: /

Weatherhead: 4404

Aeroquip: /

Gates: /

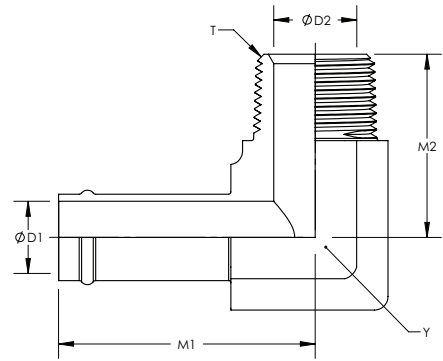


Part #	Y Hex	T	D1	D2	L
4404X04X02	0.438	1/8-27	0.189	0.189	2.080
4404X04X04	0.563	1/4-18	0.189	0.275	2.350
4404X06X02	0.625	1/8-27	0.295	0.189	2.130
4404X06X04	0.625	1/4-18	0.295	0.275	2.350
4404X06X06	0.750	3/8-18	0.295	0.405	2.350
4404X06X08	0.938	1/2-14	0.295	0.531	2.600
4404X08X04	0.750	1/4-18	0.405	0.275	2.350
4404X08X06	0.750	3/8-18	0.405	0.405	2.350
4404X08X08	0.938	1/2-14	0.405	0.531	2.600
4404X08X12	1.125	3/4-14	0.405	0.708	2.670
4404X10X06	0.875	3/8-18	0.500	0.405	2.350
4404X10X08	0.938	1/2-14	0.500	0.531	2.600
4404X10X16	1.375	1-11-1/2	0.500	0.938	2.860
4404X12X08	1.000	1/2-14	0.626	0.531	2.600
4404X12X12	1.125	3/4-14	0.626	0.708	2.670
4404X12X16	1.375	1-11-1/2	0.626	0.938	2.860
4404X16X12	1.250	3/4-14	0.842	0.708	2.670
4404X16X16	1.375	1-11-1/2	0.842	0.938	2.860
4404X20X16	1.500	1-11-1/2	1.094	0.938	2.860
4404X20X20	1.750	1-1/4-11-1/2	1.094	1.248	2.970
4404X20X24	2.000	1-1/2-11-1/2	1.094	1.496	3.070
4404X24X20	1.750	1-1/4-11-1/2	1.342	1.248	2.970
4404X24X24	2.000	1-1/2-11-1/2	1.342	1.496	3.070

E

Description: **90° MALE PIPE HOSE FITTING**
 Part No.: **4501**
 Stainless Part No.: **4501-SS**

Parker: /
 Weatherhead: 4501
 Aeroquip: FF1162-[R]
 Gates: /



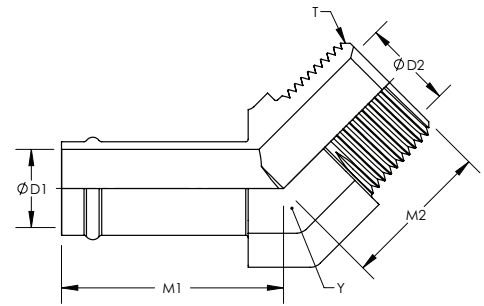
Part #	Y Hex	T	M1	D1	M2	D2
4501X04X02	0.500	1/8-27	1.887	0.189	0.779	0.189
4501X04X04	0.563	1/4-18	1.955	0.189	1.090	0.275
4501X05X04	0.625	1/4-18	1.955	0.251	1.090	0.275
4501X06X04	0.625	1/4-18	1.955	0.295	1.090	0.275
4501X06X06	0.750	3/8-18	2.023	0.295	1.220	0.405
4501X06X08	0.938	1/2-14	2.125	0.295	1.469	0.531
4501X08X06	0.813	3/8-18	2.057	0.405	1.220	0.405
4501X08X08	0.938	1/2-14	2.125	0.405	1.469	0.531
4501X08X12	1.125	3/4-14	2.228	0.405	1.590	0.720
4501X10X08	0.938	1/2-14	2.125	0.500	1.469	0.531
4501X10X12	1.125	3/4-14	2.228	0.500	1.590	0.720
4501X12X08	0.938	1/2-14	2.125	0.626	1.469	0.531
4501X12X12	1.125	3/4-14	2.228	0.626	1.590	0.720
4501X12X16	1.375	1-11-1/2	2.364	0.626	1.969	0.938
4501X16X12	1.125	3/4-14	2.228	0.842	1.590	0.720
4501X16X16	1.375	1-11-1/2	2.364	0.842	1.969	0.938
4501X20X20	1.750	1-1/4-11-1/2	2.569	1.094	2.381	1.248
4501X24X24	2.000	1-1/2-11-1/2	2.705	1.342	2.641	1.496

E

BEADED HOSE BARBS

Description: **45° MALE PIPE HOSE FITTING**
 Part No.: **4503**
 Stainless Part No.: **4503-SS**

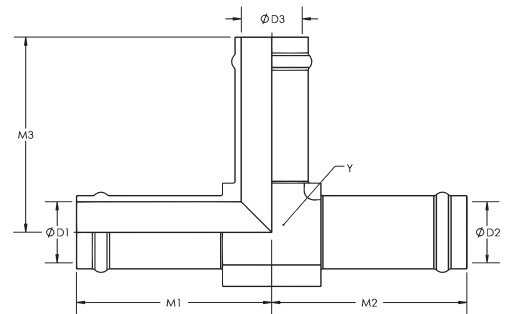
Parker: /
 Weatherhead: 4503
 Aeroquip: /
 Gates: /



Part #	Y Hex	T	M1	D1	M2	D2
4503X04X02	0.500	1/8-27	1.680	0.189	0.633	0.189
4503X04X04	0.625	1/4-18	1.700	0.189	0.858	0.275
4503X06X04	0.625	1/4-18	1.670	0.295	0.858	0.275
4503X08X06	0.813	3/8-18	1.740	0.405	0.948	0.405
4503X08X08	0.938	1/2-14	1.720	0.405	1.173	0.531
4503X10X08	0.938	1/2-14	1.750	0.500	1.173	0.531
4503X10X12	1.125	3/4-14	1.810	0.500	1.200	0.720
4503X12X12	1.125	3/4-14	1.780	0.626	1.200	0.720
4503X12X16	1.375	1-11-1/2	1.980	0.626	1.480	0.938
4503X16X12	1.125	3/4-14	1.750	0.842	1.200	0.720
4503X16X16	1.375	1-11-1/2	1.850	0.842	1.480	0.938
4503X20X20	1.750	1-1/4-11-1/2	1.910	1.094	1.669	1.248
4503X24X24	2.000	1-1/2-11-1/2	1.950	1.342	1.771	1.496

Description: **HOSE BARB TEE**
 Part No.: **4504**
 Stainless Part No.: **4504-SS**

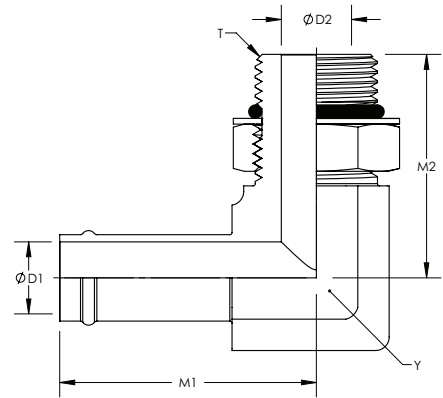
Parker: /
 Weatherhead: 4504
 Aeroquip: /
 Gates: /



Part #	Y Hex	M1	D1	M2	D2	M3	D3
4504X04X04X04	0.500	1.750	0.189	1.750	0.189	1.750	0.189
4504X06X06X06	0.563	1.810	0.295	1.810	0.295	1.810	0.295
4504X08X08X08	0.813	1.910	0.391	1.910	0.391	1.910	0.391
4504X10X10X10	0.938	1.970	0.500	1.970	0.500	1.970	0.500
4504X12X12X12	1.000	2.000	0.625	2.000	0.625	2.000	0.625
4504X16X16X16	1.375	2.190	0.844	2.190	0.844	2.190	0.844

Description: **90° STRAIGHT THREAD HOSE FITTING**
 Part No.: **4601**
 Stainless Part No.: **4601-SS**

Parker: /
 Weatherhead: 4601
 Aeroquip: FF1167-[R]
 Gates: /



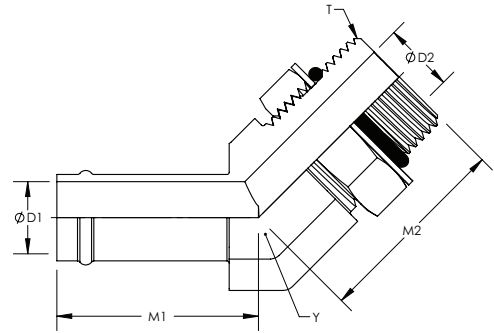
Part #	Y Hex	T	M1	D1	M2	D2
4601X04X04	0.500	7/16-20	1.752	0.188	1.031	0.172
4601X04X06	0.625	9/16-18	1.955	0.188	1.251	0.297
4601X06X04	0.500	7/16-20	1.887	0.296	1.192	0.172
4601X06X06	0.625	9/16-18	1.812	0.296	1.251	0.297
4601X06X08	0.813	3/4-16	2.057	0.296	1.448	0.391
4601X08X06	0.625	9/16-18	1.955	0.406	1.251	0.297
4601X08X08	0.813	3/4-16	2.057	0.406	1.448	0.391
4601X08X10	0.938	7/8-14	2.125	0.406	1.700	0.484
4601X08XM22	0.984	M22X1.5	1.969	0.405	1.969	0.551
4601X10X08	0.813	3/4-16	2.057	0.500	1.448	0.391
4601X10X10	0.938	7/8-14	2.125	0.500	1.700	0.484
4601X10X12	1.125	1-1/16-12	2.228	0.500	1.940	0.609
4601X10XM14	0.875	M14X1.5	1.969	0.500	1.693	0.295
4601X10XM16	0.866	M16X1.5	2.000	0.500	1.431	0.354
4601X12X08	0.938	3/4-16	2.125	0.625	1.448	0.391
4601X12X10	0.938	7/8-14	2.125	0.625	1.700	0.484
4601X12X12	1.125	1-1/16-12	2.228	0.625	1.940	0.609
4601X12X16	1.375	1-5/16-12	2.364	0.625	2.051	0.844
4601X16X10	1.125	7/8-14	2.228	0.844	1.889	0.484
4601X16X12	1.125	1-1/16-12	2.228	0.844	1.940	0.609
4601X16X16	1.375	1-5/16-12	2.364	0.844	2.051	0.844
4601X16X20	1.688	1-5/8-12	2.535	0.844	2.251	1.078
4601X20X16	1.375	1-5/16-12	2.364	1.094	2.051	0.844
4601X20X20	1.688	1-5/8-12	2.535	1.094	2.251	1.078
4601X24X20	1.688	1-5/8-12	2.535	1.344	2.251	1.078
4601X24X24	2.000	1-7/8-12	2.705	1.344	2.389	1.310

E

BEADED HOSE BARBS

Description: **45° STRAIGHT THREAD HOSE FITTING**
 Part No.: **4603**
 Stainless Part No.: **4603-SS**

Parker: /
 Weatherhead: 4603
 Aeroquip: /
 Gates: /

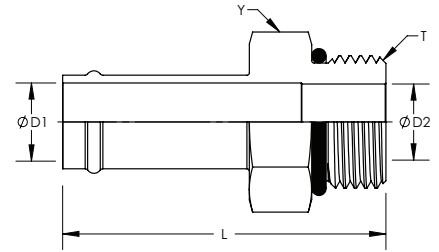


Part #	Y Hex	T	M1	D1	M2	D2
4603X04X04	0.500	7/16-20	1.700	0.188	1.051	0.172
4603X04X06	0.625	9/16-18	1.700	0.188	1.141	0.297
4603X06X04	0.500	7/16-20	1.610	0.297	1.051	0.172
4603X06X06	0.625	9/16-18	1.690	0.297	1.141	0.297
4603X08X06	0.625	9/16-18	1.610	0.406	1.141	0.297
4603X08X08	0.813	3/4-16	1.690	0.406	1.299	0.391
4603X10X08	0.813	3/4-16	1.650	0.500	1.299	0.391
4603X10X10	0.938	7/8-14	1.700	0.500	1.519	0.484
4603X10X12	1.125	1-1/16-12	1.840	0.500	1.728	0.609
4603X10XM18ZN	0.748	M18X1.5	1.893	0.500	1.460	0.354
4603X12X08	0.813	3/4-16	1.620	0.625	1.299	0.391
4603X12X12	1.125	1-1/16-12	1.750	0.625	1.728	0.609
4603X12X16	1.375	1-5/16-12	1.900	0.625	1.858	0.844
4603X12XM18ZN	1.063	M18X1.5	1.893	0.500	1.460	0.354
4603X16X12	1.125	1-1/16-12	1.700	0.844	1.728	0.609
4603X16X16	1.375	1-5/16-12	1.860	0.844	1.858	0.844
4603X20X16	1.375	1-5/16-12	1.760	1.094	1.858	0.844
4603X20X20	1.688	1-5/8-12	1.920	1.094	1.909	1.078
4603X24X16	1.375	1-5/16-12	1.800	1.344	1.858	0.844
4603X24X20	1.688	1-5/8-12	1.920	1.344	1.909	1.078
4603X24X24	2.000	1-7/8-12	1.970	1.344	1.909	1.310

E

Description: **MALE STRAIGHT THREAD HOSE CONNECTOR**
 Part No.: **4604**
 Stainless Part No.: **4604-SS**

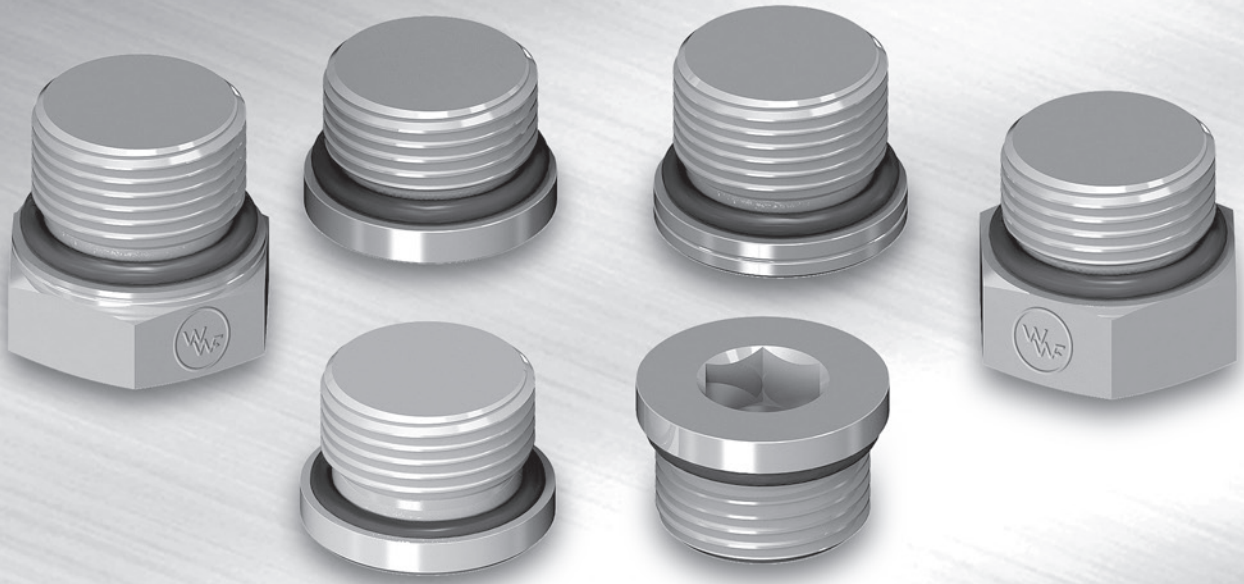
Parker: /
 Weatherhead: 4604
 Aeroquip: /
 Gates: /



Part #	Y Hex	T	D1	D2	L
4604X04X04	0.563	7/16-20	0.189	0.173	2.170
4604X04X06	0.688	9/16-18	0.189	0.295	2.230
4604X06X04	0.563	7/16-20	0.295	0.173	2.170
4604X06X06	0.688	9/16-18	0.295	0.295	2.230
4604X06X08	0.875	3/4-16	0.295	0.389	2.300
4604X08X06	0.688	9/16-18	0.405	0.295	2.230
4604X08X08	0.875	3/4-16	0.405	0.389	2.300
4604X10X08	0.875	3/4-16	0.500	0.389	2.300
4604X10X10	1.000	7/8-14	0.500	0.484	2.430
4604X12X08	0.875	3/4-16	0.626	0.389	2.300
4604X12X10	1.000	7/8-14	0.626	0.484	2.430
4604X12X12	1.250	1-1/16-12	0.626	0.610	2.590
4604X12X16	1.500	1-5/16-12	0.626	0.846	2.620
4604X16X12	1.250	1-1/16-12	0.844	0.610	2.590
4604X16X16	1.500	1-5/16-12	0.844	0.846	2.620
4604X16X20	1.875	1-5/8-12	0.844	1.082	2.700
4604X20X16	1.500	1-5/16-12	1.094	0.846	2.620
4604X20X20	1.875	1-5/8-12	1.094	1.082	2.700
4604X20X24	2.125	1-7/8-12	1.094	1.299	2.770
4604X24X24	2.125	1-7/8-12	1.344	1.299	2.770
4604X32X32	2.750	2-1/2-12	1.482	1.772	2.930



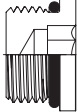
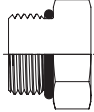
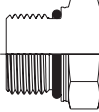
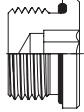
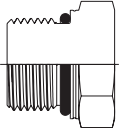

E

WORLD WIDE FITTINGS inc.



PLUGS / "O" RINGS

PLUGS / "O" RINGS

<p>0403-L <i>Pg. 180</i></p>  <p>7629M 90 Durometer Metric O Ring</p>	<p>4000 <i>Pg. 180</i></p>  <p>7629 90 Durometer O Ring</p>	<p>6408-H <i>Pg. 181</i></p>  <p>7238 Internal Hex Port Plug</p>	<p>6408 <i>Pg. 181</i></p>  <p>7237S External Hex Port Plug</p>	<p>8555-P <i>Pg. 182</i></p>  <p>7240M DIN Metric Plug</p>	<p>9522-H <i>Pg. 182</i></p>  <p>7240G DIN BSP Plug</p>
<p>M6408 <i>Pg. 183</i></p>  <p>7237M External Hex Port Plug - Metric</p>	<p>M6409 <i>Pg. 183</i></p>  <p>7238M Internal Hex Port Plug - Metric</p>				

PORT AND THREAD ASSEMBLIES

Hydraulic tube and pipe fittings are most commonly used with three different types of port threads:

- 1) SAE Straight Thread "O" Ring 2) ISO Metric Thread "O" Ring 3) National Pipe Thread

SAE STRAIGHT THREAD "O" RING PORTS

SAE straight threads can be machined for either adjustable or nonadjustable hydraulic fittings. Carefully machined internal and external UN/UNF straight threads provide the holding power for hydraulic fittings when installed in high pressure hydraulic systems.

SAE straight threads sealing power comes from the use of a high quality 90-durometer Buna-N "O" Ring as specified by SAE-J514. During assembly, the straight threads provide adjustability on shape fittings where maneuverability and alignment are necessary for tube line routing.

After the hydraulic fittings with the SAE straight thread have been properly installed, the hydraulic "O" Ring provides a high pressure seal by becoming seated between the angular groove in the female port and the male end of the hydraulic fittings.

ASSEMBLY INSTRUCTIONS

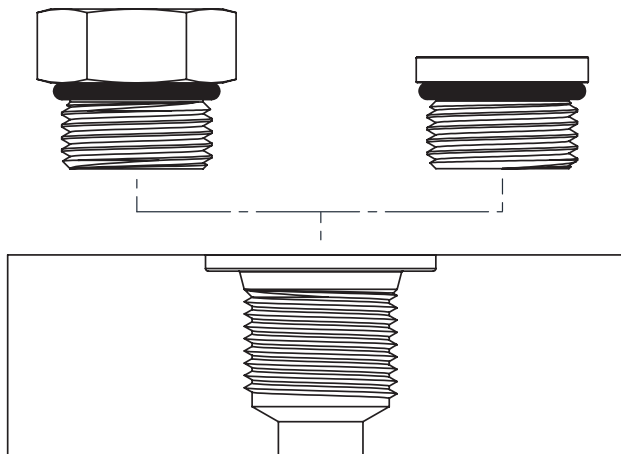
1. Inspect the hydraulic fitting and mating port to ensure that there is no foreign matter present or nicks in the "O" Ring to cause a leak.
2. Lubricate the "O" Ring with a light coating of oil or hydraulic fluid.
3. On the fittings adjustable thread, back the locknut off as far as possible and screw the fitting into the port until the flat back-up washer makes contact with the face of the port.
4. Align the adjustable fitting with the end of the tube assembly by unscrewing the fitting to the proper direction. (Do not unscrew the fitting more than one full turn.)
5. Using a wrench to hold the fitting in the desired position, tighten the locknut to the proper torque value as shown in the torque chart for adjustable SAE threads.
6. Visually inspect the fitting assembly to confirm that the "O" Ring has seated properly in the female ports angular seating groove and the back-up washer is seated flat against the face of the port.

Inspect threads before assembly to be assured that the male thread and female port are free of burrs and other foreign matter.

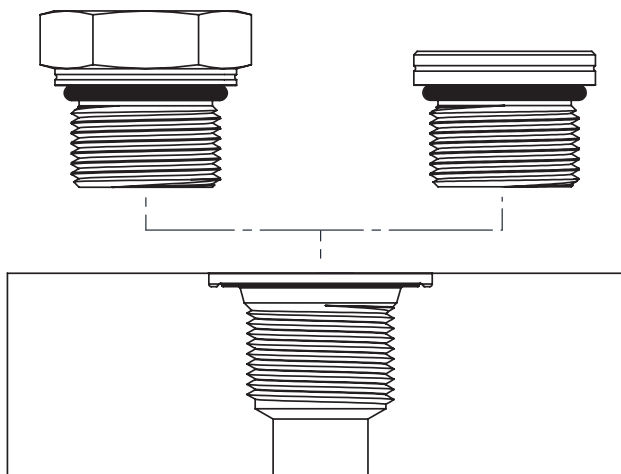
Lubricate the hydraulic "O" Ring before installing the fitting to prevent the "O" Ring from possible damage during installation.

Hydraulic fittings machined from forgings may have higher assembly torque values than are shown in the chart below.

(See drawing below for example of proper installation.)



Straight thread adjustable and non-adjustable assembly



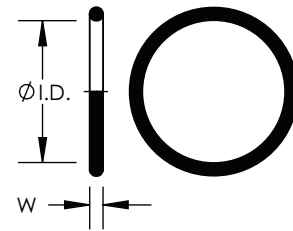
Metric thread adjustable and non-adjustable assembly

F

PLUGS / "O" RINGS

Description: **90 DUROMETER METRIC O RING**
 Part No.: **0403-L**

Parker: /
 Weatherhead: 7629M
 Aeroquip: /
 Gates: /

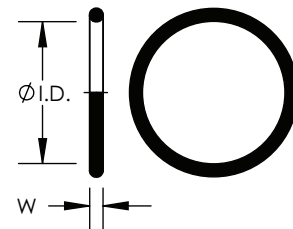


Part #	I.D.	W
XM08	0.240	0.063
XM10	0.319	0.063
XM12	0.366	0.087
XM14	0.445	0.087
XM16	0.524	0.087
XM18	0.602	0.087
XM22	0.760	0.087
XM27	0.929	0.114
XM33	1.165	0.114
XM42	1.520	0.114
XM48	1.756	0.114

F

Description: **90 DUROMETER O RING**
 Part No.: **4000**

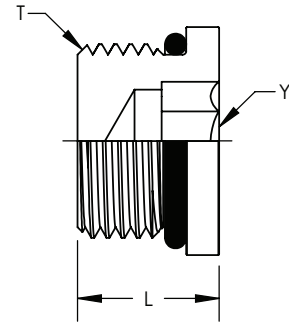
Parker: O - Ring
 Weatherhead: 7629
 Aeroquip: /
 Gates: OR



Part #	I.D.	W
4000X02	0.239	0.064
4000X03	0.301	0.064
4000X04	0.351	0.072
4000X05	0.414	0.072
4000X06	0.468	0.078
4000X08	0.644	0.087
4000X10	0.755	0.097
4000X12	0.924	0.116
4000X14	1.048	0.116
4000X16	1.171	0.116
4000X20	1.475	0.118
4000X24	1.720	0.118
4000X32	2.337	0.118

Description: **INTERNAL HEX PORT PLUG**
Part No.: **6408H**
Stainless Part No.: **6408H-SS**

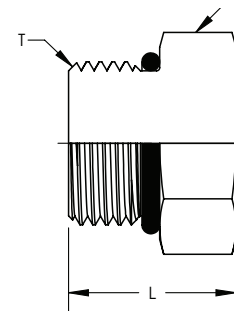
Parker: **HP50N**
Weatherhead: **7238**
Aeroquip: **FF2138**
Gates: **/**



Part #	Y Hex	T	L
6408-HX02	0.125	5/16-24	0.405
6408-HX03	0.156	3/8-24	0.405
6408-HX04	0.188	7/16-20	0.472
6408-HX05	0.219	1/2-20	0.472
6408-HX06	0.250	9/16-18	0.508
6408-HX08	0.313	3/4-16	0.587
6408-HX10	0.375	7/8-14	0.657
6408-HX12	0.563	1-1/16-12	0.776
6408-HX14	0.563	1-3/16-12	0.776
6408-HX16	0.625	1-5/16-12	0.776
6408-HX20	0.750	1-5/8-12	0.776
6408-HX24	0.750	1-7/8-12	0.776
6408-HX32	0.750	2-1/2-12	0.776

Description: **EXTERNAL HEX PORT PLUG**
Part No.: **6408**
Stainless Part No.: **6408-SS**

Parker: **P50N**
Weatherhead: **4603**
Aeroquip: **900598**
Gates: **MB-PLUG**



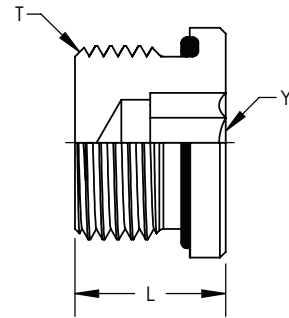
Part #	Y Hex	T	L
6408X02S	0.438	5/16-24	0.600
6408X03S	0.500	3/8-24	0.600
6408X04S	0.563	7/16-20	0.670
6408X05S	0.625	1/2-20	0.670
6408X06S	0.688	9/16-18	0.730
6408X08S	0.875	3/4-16	0.800
6408X10S	1.000	7/8-14	0.930
6408X12S	1.250	1-1/16-12	1.090
6408X14S	1.375	1-3/16-12	1.090
6408X16S	1.500	1-5/16-12	1.120
6408X20S	1.875	1-5/8-12	1.200
6408X24S	2.125	1-7/8-12	1.270
6408X32S	2.750	2-1/2-12	1.430

F

PLUGS / "O" RINGS

Description: **DIN METRIC PLUG**
 Part No.: **8555-P**
 Stainless Part No.: **8555-P-SS**

Parker: VSTI M-ED
 Weatherhead: 7240M
 Aeroquip: /
 Gates: /

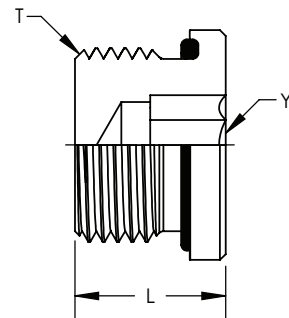


Part #	Y Hex	T	L
8555-PXM48	0.945	M48X2.0	0.886
8555-PXM42	0.866	M42X2.0	0.886
8555-PXM33	0.669	M33X2.0	0.886
8555-PXM27	0.472	M27X2.0	0.827
8555-PXM22	0.394	M22X1.5	0.748
8555-PXM18	0.315	M18X1.5	0.669
8555-PXM16	0.315	M16X1.5	0.669
8555-PXM14	0.236	M14X1.5	0.669
8555-PXM12	0.236	M12X1.5	0.669
8555-PXM10	0.197	M10X1.0	0.472

F

Description: **DIN BSP PLUG**
 Part No.: **9522-H**
 Stainless Part No.: **9522-H-SS**

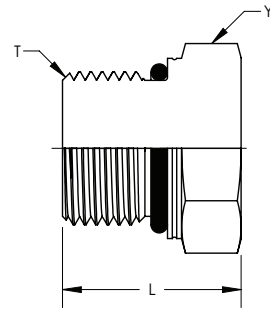
Parker: VSTI R-ED
 Weatherhead: 7240G
 Aeroquip: /
 Gates: /



Part #	Y Hex	T	L
9522-HX02	0.197	G 1/8A	0.472
9522-HX04	0.236	G 1/4A	0.669
9522-HX06	0.315	G 3/8A	0.669
9522-HX08	0.394	G 1/2A	0.748
9522-HX12	0.472	G 3/4A	0.827
9522-HX16	0.669	G1 A	0.886
9522-HX20	0.866	G1 1/4A	0.886
9522-HX24	0.945	G1 1/2A	0.886

Description: **EXTERNAL HEX PORT PLUG - METRIC**
 Part No.: **M6408**
 Stainless Part No.: **M6408-SS**

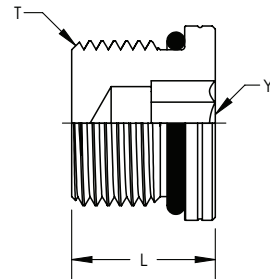
Parker: P87OMN
 Weatherhead: 7237M
 Aeroquip: /
 Gates: /



Part #	Y Hex	T	L
M6408X10	0.551	M10X1.0	0.669
M6408X12	0.669	M12X1.5	0.728
M6408X14	0.748	M14X1.5	0.768
M6408X16	0.866	M16X1.5	0.866
M6408X18	0.945	M18X1.5	0.945
M6408X22	1.063	M22X1.5	1.024
M6408X27	1.260	M27X2.0	1.240
M6408X33	1.614	M33X2.0	1.338
M6408X42	1.969	M42X2.0	1.438

Description: **INTERNAL HEX PORT PLUG - METRIC**
 Part No.: **M6409**
 Stainless Part No.: **M6409-SS**

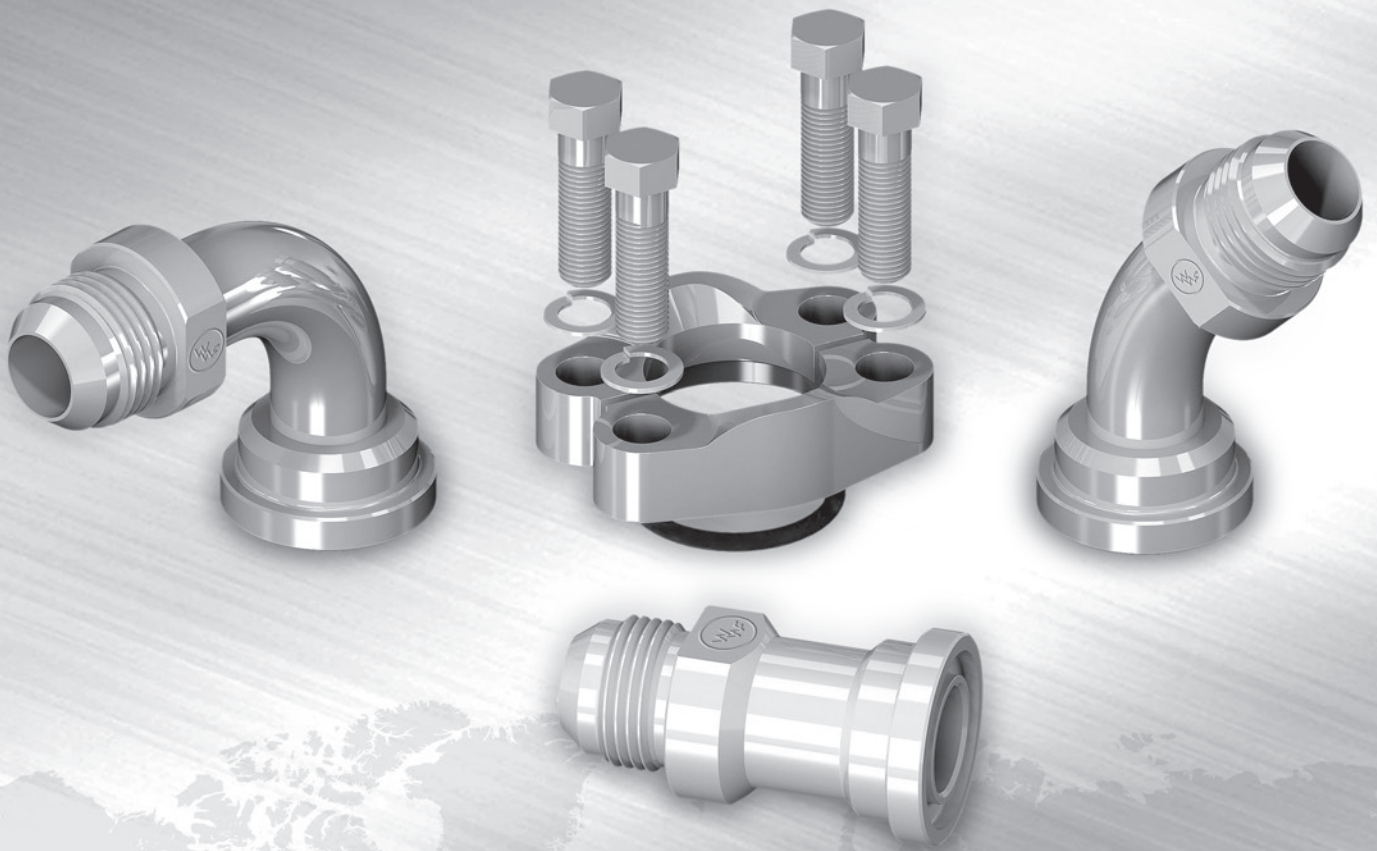
Parker: VSTI M-OR
 Weatherhead: 7238M
 Aeroquip: /
 Gates: /



Part #	Y Hex	T	L
M6409X08	0.157	M8X1.0	0.512
M6409X10	0.197	M10X1.0	0.531
M6409X12	0.236	M12X1.5	0.610
M6409X14	0.236	M14X1.5	0.630
M6409X16	0.315	M16X1.5	0.689
M6409X18	0.315	M18X1.5	0.748
M6409X22	0.394	M22X1.5	0.787
M6409X27	0.472	M27X2.0	0.925
M6409X33	0.551	M33X2.0	0.964
M6409X42	0.669	M42X2.0	0.984

F

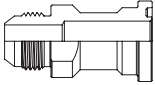
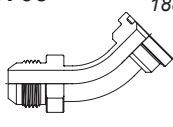
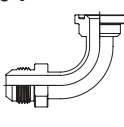

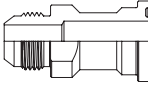
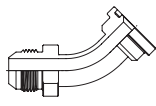
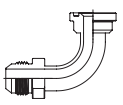
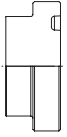





WORLD WIDE FITTINGS inc.



FOUR BOLT FLANGE FITTINGS

CODE 61 & CODE 62

FOUR BOLT FLANGE FITTINGS

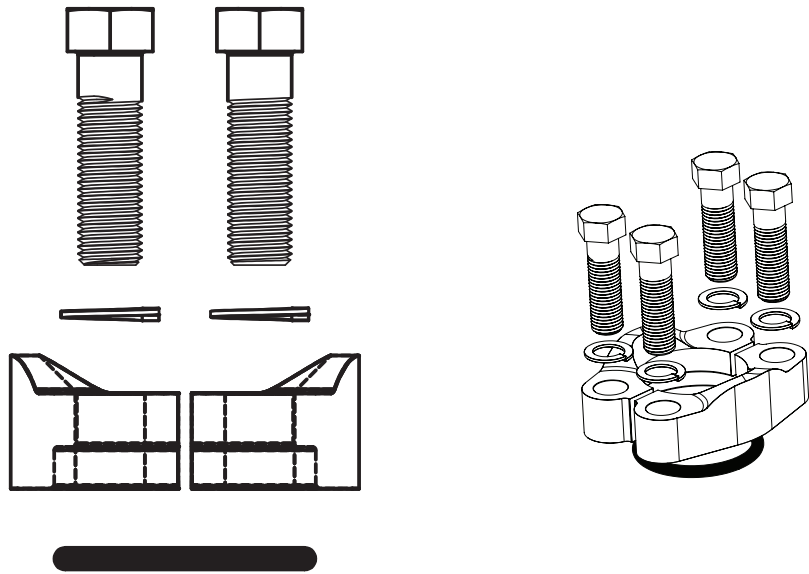
<p>1700 Pg. 188</p>  <p>1700 JIC Flange - Straight Code 61</p>	<p>1703 Pg. 188</p>  <p>7237S JIC Flange 45° Elbow Code 61</p>	<p>1704 Pg. 189</p>  <p>1704 JIC Flange 90° Elbow Code 61</p>	<p>1724 Pg. 189</p>  <p>1724 Flange Head Plug Code 61</p>	<p>1800 Pg. 190</p>  <p>1800 JIC Flange - Straight Code 62</p>	<p>1803 Pg. 190</p>  <p>1803 JIC Flange 45° Elbow Code 62</p>
<p>1804 Pg. 191</p>  <p>1804 JIC Flange 90° Elbow Code 62</p>	<p>1824 Pg. 191</p>  <p>1824 Flange Head Plug Code 62</p>	<p>1901 Pg. 192</p>  <p>1901 Flange Kit Code 61</p>	<p>1902 Pg. 192</p>  <p>1902 Flange Kit Code 62</p>	<p>1951 Pg. 193</p>  <p>1951 Flange Half Code 61</p>	<p>1952 Pg. 193</p>  <p>1952 Flange Half Code 62</p>
<p>4005 Pg. 194</p>  <p>4005 Flange O Ring</p>					

SAE J518 FOUR-BOLT CODE 61 FLANGE PRESSURE RATINGS

Dash Size	FLANGE HEAD OD INCHES	4 TO 1 MINIMUM BURST PSI
-08	1-3/16 - 1.188	5000
-12	1-1/2 - 1.500	5000
-16	1-3/4 - 1.750	5000
-20	2 - 2.000	4000
-24	2-3/8 - 2.375	3000
-32	2-13/16 - 2.812	3000
-40	3-5/16 - 3.312	2500

SAE J518 FOUR-BOLT CODE 62 FLANGE PRESSURE RATINGS

Dash Size	FLANGE HEAD OD INCHES	4 TO 1 MINIMUM BURST PSI
-08	1-1/4 - 1.250	6000
-12	1-5/8 - 1.625	6000
-16	1-7/8 - 1.875	6000
-20	2-1/8 - 2.125	6000
-24	2-1/2 - 2.500	6000
-32	3-1/8 - 3.125	6000



APPLICATIONS

For use with applications such as: Construction machinery, Textile machinery, Machine tools, Chemical, Marine, Military, and most other high pressure hydraulic applications. Applications using thick wall tubing where flaring is not practical.

MATERIAL

- Steel – Forged Bodies 1045
- Straight Bodies 12L14, 1215, 1045

PLATING

Clear Zinc Trivalent
Alternate plating finishes are available upon request.
Contact World Wide Fittings for details.

ASSEMBLY - FOUR-BOLT FLANGE

1. Inspect port area to be smooth and free of nicks, burrs, scratches, or contaminants.
2. Lubricate the "O" ring and place in flange head groove.
3. Lubricate screw threads, slip lock washer onto screws, and insert screws into flange.
4. Position flange on port and finger tighten all screws.
5. Torque the screws in figure eight sequence, incrementally until the appropriate torque value in the following table is achieved.

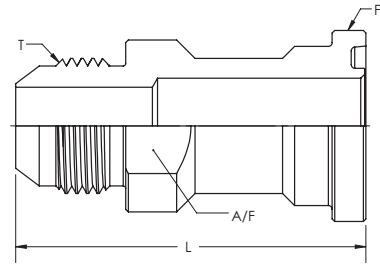
ASSEMBLY - FOUR-BOLT SPLIT FLANGE

1. Follow steps 1 through 3 above, and then proceed to the following steps.
2. Position both flange halves on port and turn one screw in each flange half about three turns.
3. Rotate each flange half way from port for sufficient clearance to position hose or fitting flange head on port.
4. Close each flange half until it properly captures flange head. Insert remaining screws and finger tighten.
5. Torque the screws in figure eight sequence, incrementally until the appropriate torque value in the following table is achieved.

FOUR BOLT FLANGE FITTINGS

Description: **JIC FLANGE - STRAIGHT CODE 61**
 Part No.: **1700**
 Stainless Part No.: **1700-SS**

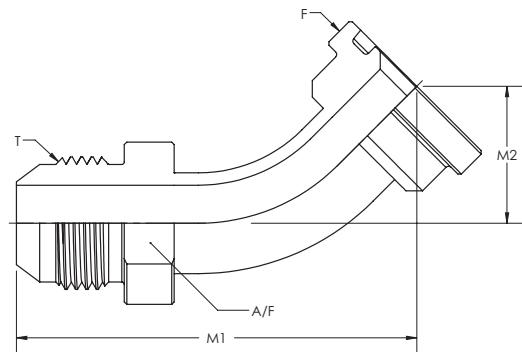
Parker: XHQ1
 Weatherhead: 1700
 Aeroquip: 500025-[R]
 Gates: /



Part #	Y Hex	T	L	F
1700X12X12	1.125	1-1/16-12	2.750	1.500
1700X12X16	1.125	1-1/16-12	2.800	1.750
1700X16X12	1.375	1-5/16-12	2.750	1.500
1700X16X16	1.375	1-5/16-12	2.800	1.750
1700x16x20	1.375	1-5/16-12	2.800	2.000
1700X20X20	1.688	1-5/8-12	2.800	2.000
1700X20X24	1.688	1-5/8-12	2.800	2.375
1700X24X24	2.000	1-7/8-12	3.500	2.375

Description: **JIC FLANGE 45° ELBOW CODE 61**
 Part No.: **1703**
 Stainless Part No.: **1703-SS**

Parker: /
 Weatherhead: 1703
 Aeroquip: /
 Gates: /

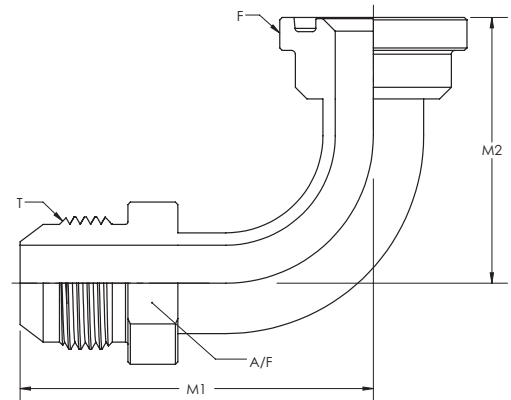


Part #	Y Hex	T	M1	M2	F
1703X12X12	1.125	1-1/16-12	3.150	1.020	1.500
1703X12X16	1.125	1-1/16-12	3.150	1.020	1.750
1703X16X12	1.375	1-5/16-12	3.465	1.180	1.500
1703X16X16	1.375	1-5/16-12	3.660	1.180	1.750
1703X20X20	1.688	1-5/8-12	4.210	1.380	2.000
1703X24X24	2.000	1-7/8-12	4.960	1.690	2.375

G

Description: **JIC FLANGE 90° ELBOW CODE 61**
 Part No.: **1704**
 Stainless Part No.: **1704-SS**

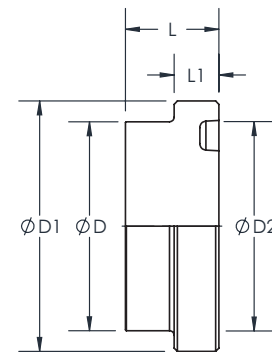
Parker: /
 Weatherhead: 1704
 Aeroquip: /
 Gates: /



Part #	Y Hex	T	M1	M2	F
1704X12X12	1.125	1-1/16-12	2.835	2.125	1.500
1704X12X16	1.125	1-1/16-12	2.835	2.125	1.750
1704X16X12	1.375	1-5/16-12	2.950	2.125	1.500
1704X16X16	1.375	1-5/16-12	3.385	2.600	1.750
1704X20X20	1.688	1-5/8-12	3.980	3.030	2.000
1704X24X24	2.000	1-7/8-12	4.570	3.660	2.375

Description: **JFLANGE HEAD PLUG CODE - 61**
 Part No.: **1724**
 Stainless Part No.: **1724-SS**

Parker: P
 Weatherhead: 1724
 Aeroquip: /
 Gates: /



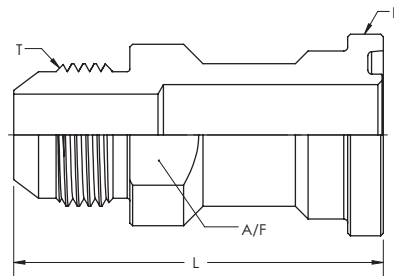
Part #	D	D1	D2	L	L1
1724X12	1.250	1.500	1.250	0.560	0.268
1724X16	1.500	1.750	1.560	0.560	0.315
1724X20	1.700	2.000	1.750	0.560	0.315
1724X24	1.980	2.375	2.115	0.620	0.315
1724X32	2.450	2.810	2.490	0.620	0.378
1724X40	2.920	3.310	2.995	0.680	0.378
1724X48	3.550	4.000	3.615	0.750	0.378
1724X8	0.940	1.188	1.000	0.500	0.268



FOUR BOLT FLANGE FITTINGS

Description: **JIC FLANGE - STRAIGHT CODE 62**
 Part No.: **1800**
 Stainless Part No.: **1800-SS**

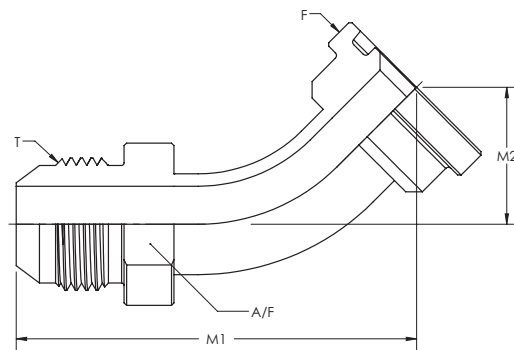
Parker: /
 Weatherhead: 1800
 Aeroquip: /
 Gates: /



Part #	Y Hex	T	L	F
1800X12X12	1.125	1-1/16-12	2.750	1.625
1800X12X16	1.125	1-1/16-12	2.800	1.875
1800X16X12	1.375	1-5/16-12	2.750	1.625
1800X16X16	1.375	1-5/16-12	2.800	1.875
1800X20X20	1.688	1-5/8-12	3.050	2.125
1800X24X24	2.000	1-7/8-12	3.050	2.500

Description: **JIC FLANGE 45° ELBOW CODE 62**
 Part No.: **1803**
 Stainless Part No.: **1803-SS**

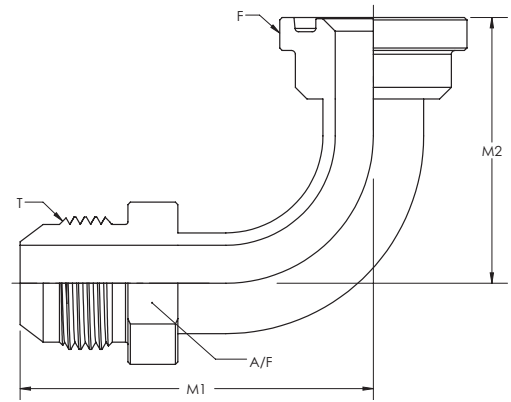
G Parker: /
 Weatherhead: 1803
 Aeroquip: /
 Gates: /



Part #	Y Hex	T	M1	M2	F
1803X12X12	1.250	1-1/16-12	3.310	1.140	1.625
1803X16X16	1.375	1-5/16-12	3.860	1.380	1.875
1803X20X20	1.688	1-5/8-12	4.530	1.650	2.125
1803X24X24	2.000	1-7/8-12	5.160	1.930	2.500

Description: **JIC FLANGE 90° ELBOW CODE 62**
 Part No.: **1804**
 Stainless Part No.: **1804-SS**

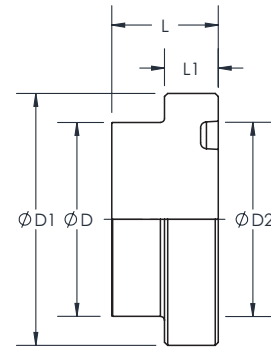
Parker: /
 Weatherhead: 1804
 Aeroquip: /
 Gates: /



Part #	Y Hex	T	M1	M2	F
1804X12X12	1.125	1-1/16-12	2.835	2.280	1.625
1804X16X12	1.375	1-5/16-12	2.930	2.280	1.625
1804X16X16	1.375	1-5/16-12	3.390	2.875	1.875
1804X20X20	1.688	1-5/8-12	3.980	3.465	2.125
1804X24X24	2.000	1-7/8-12	4.570	4.020	2.500

Description: **FLANGE HEAD PLUG CODE - 62**
 Part No.: **1824**
 Stainless Part No.: **1824-SS**

Parker: P
 Weatherhead: 1824
 Aeroquip: /
 Gates: /



Part #	D	D1	D2	L	L1
1824X08	0.940	1.250	1.000	0.250	0.307
1824X12	1.250	1.625	1.250	0.688	0.346
1824X16	1.500	1.875	1.560	0.812	0.374
1824X20	1.720	2.125	1.750	1.000	0.406
1824X24	2.000	2.500	2.115	1.188	0.496
1824X32	2.618	3.125	2.490	1.500	0.496

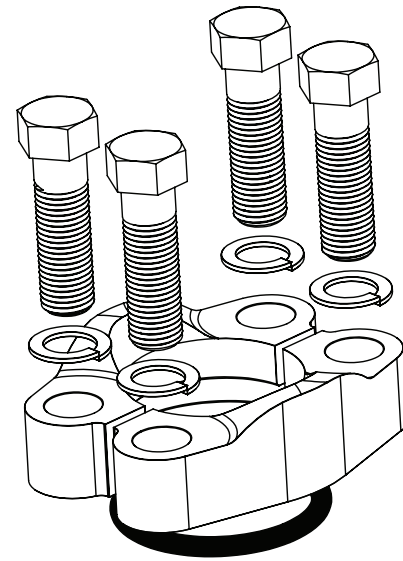


FOUR BOLT FLANGE FITTINGS

Description: **FLANGE KIT - 61**
 Part No.: **1901**
 Stainless Part No.: **1901-SS**

Parker: /
 Weatherhead: 1901
 Aeroquip: /
 Gates: /

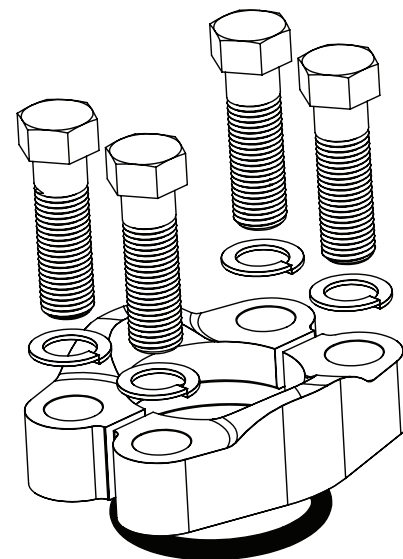
Part #	Flange Size
1901X08	1/2
1901X12	3/4
1901X16	1
1901X20	1-1/4
1901X24	1-1/2
1901X32	2
1901X40	2-1/2
1901X48	3



Description: **FLANGE KIT - 62**
 Part No.: **1902**
 Stainless Part No.: **1902-SS**

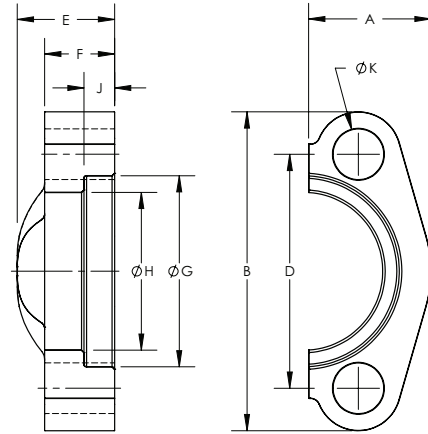
G Parker: /
 Weatherhead: 1902
 Aeroquip: /
 Gates: /

Part #	Flange Size
1902X08	1/2
1902X12	3/4
1902X16	1
1902X20	1-1/4
1902X24	1-1/2
1902X32	2



Description: **FLANGE HALF - CODE 61**
 Part No.: **1951**
 Stainless Part No.: **1951-SS**

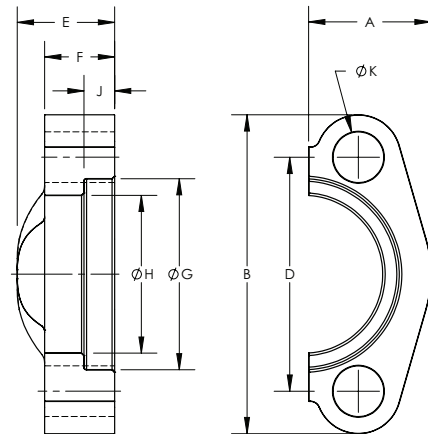
Parker: /
 Weatherhead: 1951
 Aeroquip: /
 Gates: /



Part #	D	E	Flange Size	A	B	F	G	H	J	K
1951X48	4.188	1.620	3	2.530	5.315	0.880	4.031	3.580	0.355	0.656
1951X40	3.500	1.500	2-1/2	2.090	4.500	0.750	3.344	2.950	0.355	0.531
1951X32	3.062	1.030	2	1.860	4.000	0.620	2.844	2.470	0.355	0.531
1951X24	2.750	1.000	1-1/2	1.580	3.690	0.620	2.406	2.000	0.295	0.531
1951X20	2.312	0.880	1-1/4	1.390	3.125	0.560	2.031	1.720	0.295	0.469
1951X16	2.062	0.940	1	1.110	2.750	0.620	1.781	1.515	0.295	0.406
1951X12	1.875	0.780	3/4	0.980	2.560	0.560	1.531	1.265	0.245	0.406
1951X08	1.500	0.750	1/2	0.860	2.125	0.500	1.219	0.955	0.245	0.344

Description: **FLANGE HALF - CODE 62**
 Part No.: **1952**
 Stainless Part No.: **1952-SS**

Parker: /
 Weatherhead: 1952
 Aeroquip: /
 Gates: /



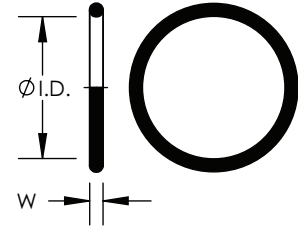
Part #	D	E	Flange Size	A	B	F	G	H	J	K
1952X08	1.594	0.880	1/2	0.890	2.220	0.620	1.281	0.970	0.285	0.344
1952X12	2.000	1.120	3/4	1.140	2.795	0.750	1.656	1.280	0.325	0.406
1952X16	2.250	1.310	1	1.330	3.190	0.940	1.906	1.530	0.355	0.469
1952X20	2.625	1.500	1-1/4	1.480	3.750	1.060	2.156	1.750	0.385	0.531
1952X24	3.125	1.690	1-1/2	1.830	4.440	1.190	2.531	2.030	0.475	0.656
1952X32	3.812	2.060	2	2.200	5.250	1.440	3.156	2.660	0.475	0.781



FOUR BOLT FLANGE FITTINGS

Description: **FLANGE O RING**
Part No.: **4005**

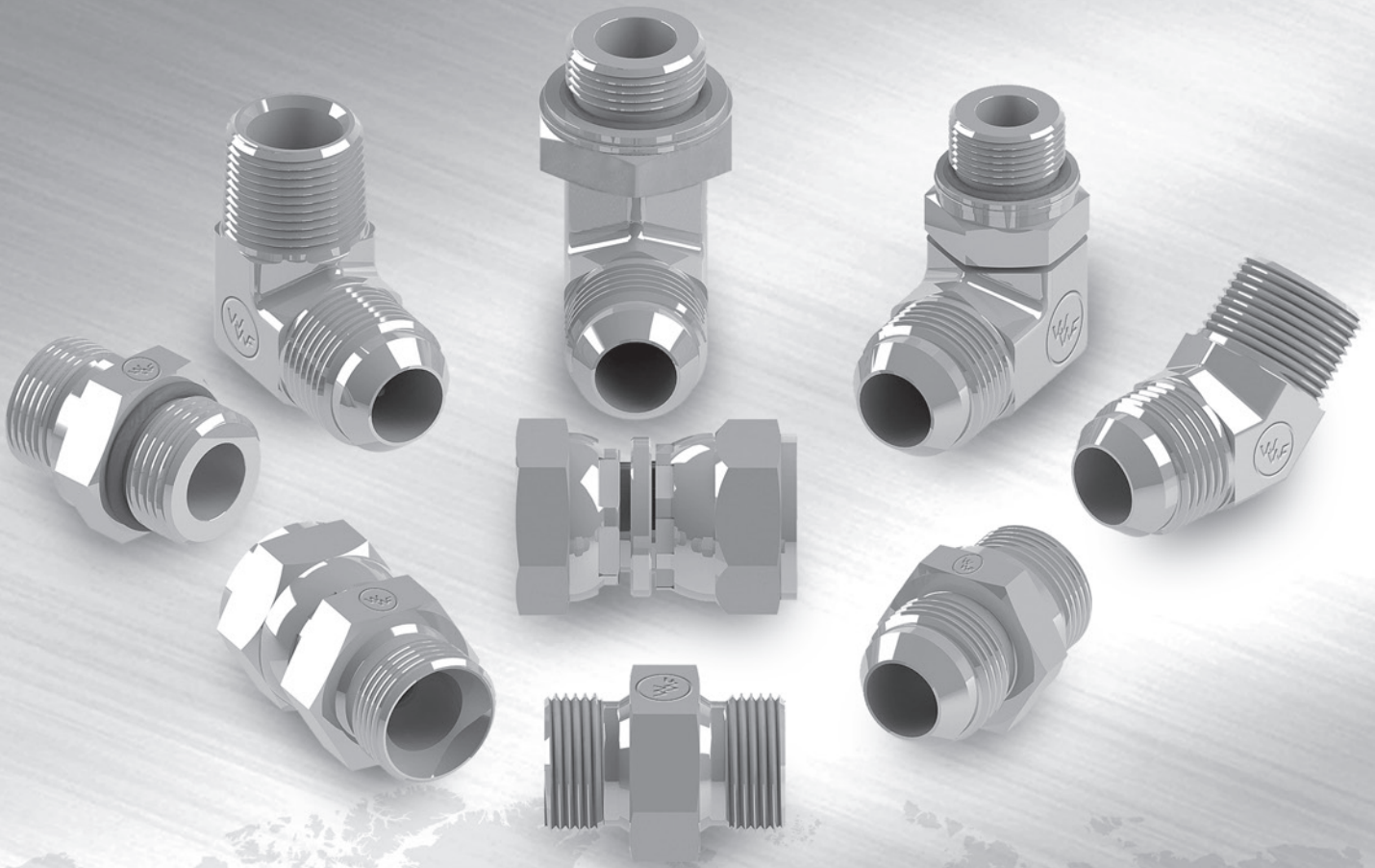
Parker: P
Weatherhead: 4005
Aeroquip: /
Gates: /



Part #	I. D.	W
4005	0.734	0.139

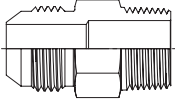
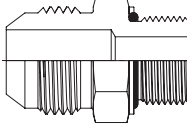
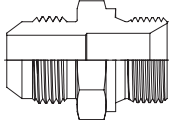
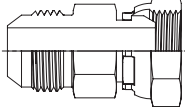
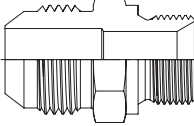
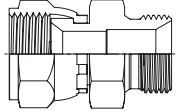
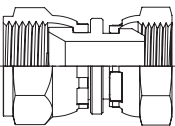
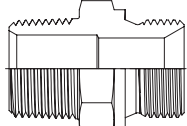
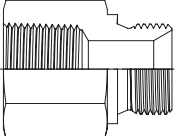
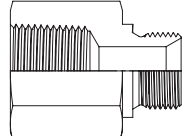
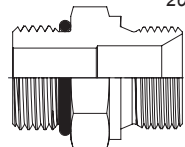
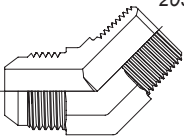
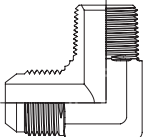
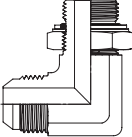
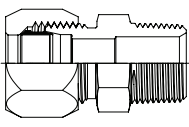
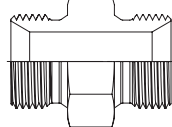
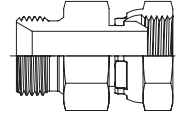

G

WORLD WIDE FITTINGS inc.



INTERNATIONAL CONVERSION

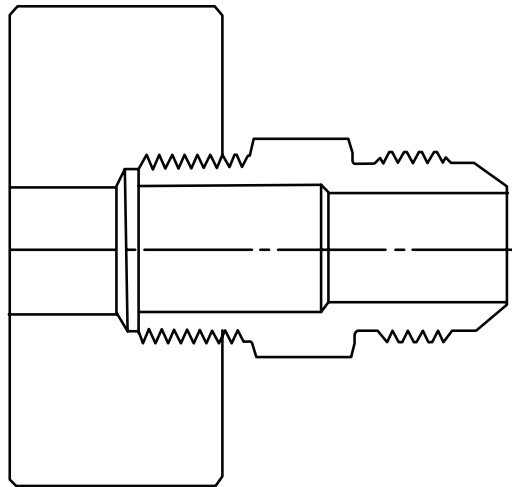
INTERNATIONAL CONVERSION FITTINGS

7000 <small>Pg. 200</small>  7000 Male JIC to Male BSPT Straight	7001 <small>Pg. 200</small>  7001 Male JIC to Male Metric BSPT Straight	7002 <small>Pg. 201</small>  7002 Male JIC to Male BSPP Straight	7004 <small>Pg. 201</small>  7004 Male JIC to Female BSPP Swivel Straight	7005 <small>Pg. 202</small>  7005 Male JIC to Male Metric Straight	7022 <small>Pg. 202</small>  7022 Female JIC Swivel to Male BSPP Straight
7023 <small>Pg. 203</small>  7023 Female JIC Swivel to Male BSPP Straight	7032 <small>Pg. 203</small>  7032 Male NPTF to Male BSPP Straight	7042 <small>Pg. 204</small>  7042 Female NPTF to Male BSPP Straight	7045 <small>Pg. 204</small>  7045 Female NPTF to Male Metric Straight	7062 <small>Pg. 205</small>  7062 Male ORB to Male BSPP Straight	7100 <small>Pg. 205</small>  7100 Male JIC to Male BSPT 45° Elbow
7200 <small>Pg. 206</small>  7200 Male JIC to Male BSPT 90° Elbow	7202 <small>Pg. 206</small>  7202 Male JIC to Male BSPP 90° Elbow	7205M <small>Pg. 207</small>  7205M Male JIC to Male Metric ORB 90° Elbow	9022 <small>Pg. 207</small>  9022 Male BSPP to Female BSPP Nipple	9024 <small>Pg. 208</small>  9024 Male BSPP to Female BSPP Swivel Straight	9900 <small>Pg. 208</small>  9900 Bonded Seal - British

ASSEMBLY TORQUE, SWIVEL ADAPTERS AND PIPE FITTINGS (T.F.F.T. for Tapered Pipe Only)

Pipe Size	Adapter Unions		Pipe		Tapered Pipe T.F.F.T. (turns)
	Ft. Lbs. Max.	N•m Max.	Ft. Lbs. Max.	N•m Max.	
1/8	13	18	12	16	3/4 – 1-3/4
1/4	20	27	25	34	3/4 – 1-3/4
3/8	25	34	40	54	3/4 – 1-3/4
1/2	47	64	54	73	1/2 – 1-1/2
3/4	84	114	78	106	1/2 – 1-1/2
1	129	175	112	152	1/2 – 1-1/2
1-1/4	152	206	154	209	1/2 – 1-1/2
1-1/2	152	206	211	286	1/2 – 1-1/2
2	300	407	300	407	1/2 – 1-1/2

H



CONSTRUCTION

1. Bodies: Straight bodies are machined from bar stock. Shape bodies (elbows, tees, and crosses) Are made from forgings.
2. "O" rings: Buna-N, 90 durometer,
3. Nuts: Tube nuts sizes 1/4", 3/8", 1/2", 3/4", 5/8", and 1" are cold formed in 1010 steel, Tube nuts sizes 1-1/4", 1-1/2" and 2" are hot formed from 1045 steel.

APPLICATIONS

International Fittings are specially designed parts to meet the demands of unique application. They are mixtures of Inch, Metric, Pipe, BSPT, and BSPP threads in different shapes, straight, and or elbows.

Optional:

Apply sealant to the male pipe thread, (sealant is not applied on the lead thread).

PRESSURE RATINGS

Working pressures up to 5000 PSI - Working Pressure will vary depending on Tube & Fitting Size. (For applications using extreme pressures at 5000 PSI or above, contact World Wide Fittings.)

MATERIAL

Steel – 12L14, 1215, 1045

"O" Ring – Buna-N, 90 Durometer, Viton.

PLATING

Clear Zinc Trivalent

CONFORMANCE

International Fittings meet ISO 8434-6 specification.

ASSEMBLY INSTRUCTIONS

METHOD A. Installation Torque:

1. Inspect components for damage or contamination.
2. Lubricate or apply compatible sealant to male pipe thread.
3. Screw fitting into port until hand tight. For shape fittings, take note of the intended alignment of the mating connectors.
4. For straight fittings, tighten to recommended torque listed in the following table. For shape fittings, approximately 1/2 turns should be made and then torque to the desired orientation without exceeding maximum recommended torque.

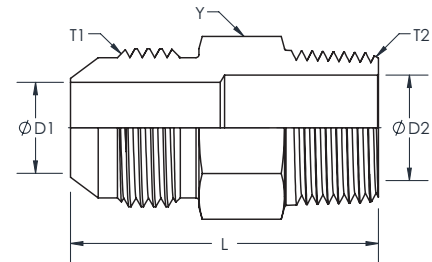
Method B. Turns From Finger Tight (T.F.F.T.):

Note: Due to the variety of factors which affect the turn's method, the values indicated are approximate and should be used only for initial installation, by experienced installation personnel.

1. Inspect components for damage or contamination.
2. Lubricate or apply compatible sealant to male pipe thread.
3. Screw fitting into port and lightly wrench to seat threads.
4. Mark fitting and adjacent surface to indicate initial seating position.
5. For straight fittings, tighten using mean to maximum recommended T.F.F.T. listed in Table I.
6. For shape fittings, tighten to minimum T.F.F.T., and turn past to desired orientation.
7. Mark final tightening position by extending the existing mark from the fitting to the adjacent surface.

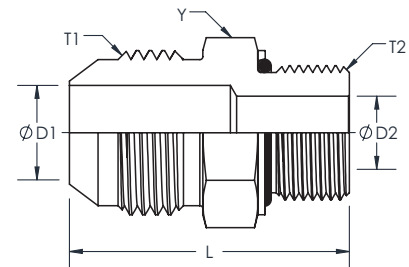
INTERNATIONAL CONVERSION FITTINGS

Description: **MALE JIC TO MALE BSPT STRAIGHT**
 Part No.: **7000**
 Stainless Part No.: **7000-SS**
 Parker: **F3MX**
 Weatherhead: **7000**
 Aeroquip: **/**
 Gates: **/**



Part #	Y Hex	T1	D1	T2	D2	L
7000X04X02	0.472	7/16-20	0.172	1/8-28	0.188	1.220
7000X04X04	0.551	7/16-20	0.172	1/4-19	0.276	1.380
7000X06X04	0.669	9/16-18	0.297	1/4-19	0.276	1.435
7000X06X06	0.748	9/16-18	0.297	3/8-19	0.406	1.385
7000X08X06	0.748	3/4-16	0.391	3/8-19	0.406	1.540
7000X08X08	0.866	3/4-16	0.391	1/2-14	0.531	1.740
7000X12X12	1.063	1-1/16-12	0.609	3/4-14	0.709	2.070

Description: **MALE JIC BY MALE METRIC STRAIGHT THREAD**
 Part No.: **7001**
 Stainless Part No.: **7001-SS**
 Parker: **F8OMX**
 Weatherhead: **7001**
 Aeroquip: **/**
 Gates: **/**

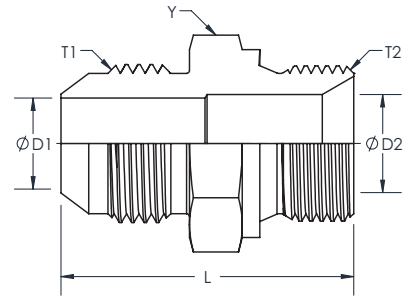


Part #	Y Hex	T1	D1	T2	D2	L
7001X04X10	0.669	7/16-20	0.172	M10X1.0	0.118	1.180
7001X04X12	0.748	7/16-20	0.172	M12X1.5	0.157	1.300
7001X04X14	0.748	7/16-20	0.172	M14X1.5	0.236	1.300
7001X06X14	0.748	9/16-18	0.297	M14X1.5	0.236	1.305
7001X06X16	0.866	9/16-18	0.297	M16X1.5	0.276	1.360
7001X08X16	0.866	3/4-16	0.391	M16X1.5	0.276	1.465
7001X08X18	0.945	3/4-16	0.391	M18X1.5	0.354	1.465
7001X08X22	1.063	3/4-16	0.391	M22X1.5	0.472	1.600
7001X10X18	0.945	7/8-14	0.484	M18X1.5	0.354	1.567
7001X10X22	1.063	7/8-14	0.484	M22X1.5	0.472	1.705
7001X12X22	1.063	1-1/16-12	0.609	M22X1.5	0.472	1.807
7001X12X27	1.260	1-1/16-12	0.609	M27X2.0	0.590	1.885
7001X16X33	1.614	1-5/16-12	0.846	M33X2.0	0.787	2.050
7001X20X42	1.969	1-5/8-12	1.078	M42X2.0	1.024	2.215
7001X24X48	2.165	1-7/8-12	1.313	M48X2.0	1.260	2.500

H

Description: **MALE JIC TO MALE BSPP STRAIGHT**
 Part No.: **7002**
 Stainless Part No.: **7002-SS**

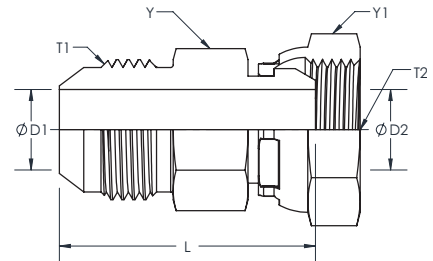
Parker: /
 Weatherhead: 7002
 Aeroquip: /
 Gates: /



Part #	Y Hex	T1	D1	T2	D2	L
7002X04X04	0.748	7/16-20	0.172	1/4-19	0.248	1.260
7002X04X06	0.866	7/16-20	0.172	3/8-19	0.312	1.340
7002X06X04	0.748	9/16-18	0.297	1/4-19	0.188	1.260
7002X06X06	0.866	9/16-18	0.297	3/8-19	0.312	1.340
7002X08X06	0.866	3/4-16	0.391	3/8-19	0.312	1.445
7002X08X08	1.063	3/4-16	0.391	1/2-14	0.438	1.600
7002X10X08	1.063	7/8-14	0.484	1/2-14	0.438	1.705
7002X10X10	1.180	7/8-14	0.484	5/8-14	0.562	1.860
7002X12X08	1.125	1-1/16-12	0.609	1/2-14	0.500	1.870
7002X12X12	1.260	1-1/16-12	0.609	3/4-14	0.658	1.965
7002X12X16	1.614	1-1/16-12	0.609	1-11	0.875	2.028
7002X16X16	1.614	1-5/16-12	0.846	1-11	0.875	2.250
7002X16X20	1.969	1-5/16-12	0.846	1-1/4-11	1.125	2.445
7002X20X20	1.969	1-5/8-12	1.078	1-1/4-11	1.200	2.155

Description: **MALE JIC TO FEMALE BSPP SWIVEL STRAIGHT**
 Part No.: **7004**
 Stainless Part No.: **7004-SS**

Parker: /
 Weatherhead: 7004
 Aeroquip: /
 Gates: /



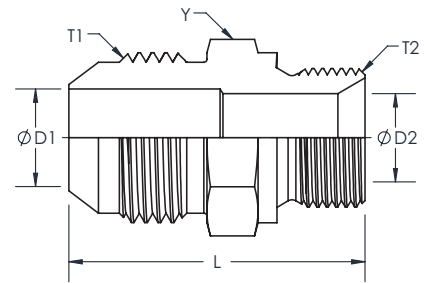
Part #	Y Hex	Y1 Hex	T1	D1	T2	D2	L
7004X04X02	0.472	0.551	7/16-20	0.172	1/8-28	0.138	1.312
7004X04X04	0.551	0.748	7/16-20	0.172	1/4-19	0.172	1.312
7004X06X04	0.669	0.748	9/16-18	0.297	1/4-19	0.178	1.340
7004X06X06	0.748	0.866	9/16-18	0.297	3/8-19	0.280	1.382
7004X08X08	0.866	1.063	3/4-16	0.391	1/2-14	0.391	1.700
7004X12X12	1.063	1.180	1-1/16-12	0.609	3/4-14	0.609	1.940



INTERNATIONAL CONVERSION FITTINGS

Description: **MALE JIC TO MALE METRIC STRAIGHT**
 Part No.: **7005**
 Stainless Part No.: **7005-SS**

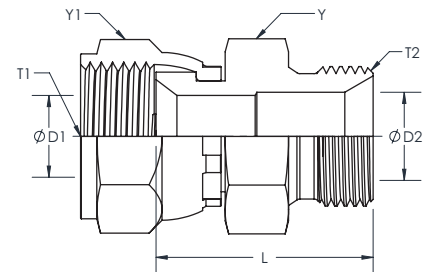
Parker: /
 Weatherhead: 7005
 Aeroquip: /
 Gates: /



Part #	Y Hex	T1	D1	T2	D2	L
7005X04X10	0.551	7/16-20	0.172	M10X1.0	0.118	1.080
7005X04X12	0.748	7/16-20	0.172	M12X1.5	0.157	1.300
7005X04X14	0.748	7/16-20	0.172	M14X1.5	0.236	1.300
7005X06X12	0.748	9/16-18	0.297	M12X1.5	0.157	1.305
7005X06X14	0.748	9/16-18	0.297	M14X1.5	0.236	1.305
7005X06X16	0.866	9/16-18	0.297	M16X1.5	0.276	1.360
7005X06X18	0.945	9/16-18	0.297	M18X1.5	0.354	1.360
7005X08X12	0.748	3/4-16	0.391	M12X1.5	0.157	1.360
7005X08X14	0.866	3/4-16	0.391	M14X1.5	0.295	1.425
7005X08X16	0.866	3/4-16	0.391	M16X1.5	0.276	1.465
7005X08X22	1.063	3/4-16	0.391	M22X1.5	0.472	1.600
7005X10X22	1.063	7/8-14	0.484	M22X1.5	0.472	1.705
7005X12X22	1.063	1-1/16-12	0.609	M22X1.5	0.472	1.850
7005X12X27	1.180	1-1/16-12	0.609	M27X2.0	0.590	1.885

Description: **FEMALE JIC SWIVEL TO MALE BSPP STRAIGHT**
 Part No.: **7022**
 Stainless Part No.: **7022-SS**

Parker: /
 Weatherhead: 7022
 Aeroquip: /
 Gates: /

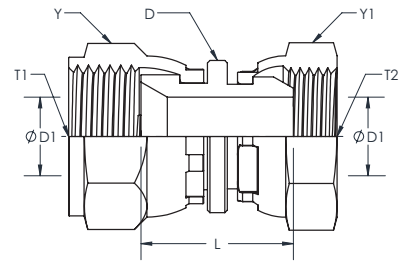


Part #	Y Hex	Y1 Hex	T1	D1	T2	D2	L
7022X04X04	0.748	0.563	7/16-20	0.172	1/4-19	0.185	1.024
7022X04X06	0.866	0.563	7/16-20	0.172	3/8-19	0.312	1.080
7022X06X04	0.748	0.688	9/16-18	0.297	1/4-19	0.185	1.100
7022X06X06	0.866	0.688	9/16-18	0.297	3/8-19	0.312	1.180
7022X08X08	1.063	0.875	3/4-16	0.391	1/2-14	0.438	1.380
7022X12X12	1.260	1.250	1-1/16-12	0.609	3/4-14	0.658	1.620

H

Description: **FEMALE JIC SWIVEL TO FEMALE BSPP STRAIGHT**
 Part No.: **7023**
 Stainless Part No.: **7023-SS**

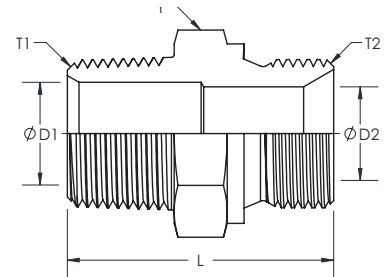
Parker: /
 Weatherhead: 7023
 Aeroquip: /
 Gates: /



Part #	Y Hex	Y1 Hex	T1	D	D1	T2	D2	L
7023X04X04	0.563	0.748	7/16-20	0.551	0.172	1/4-19	0.172	0.898
7023X06X06	0.688	0.866	9/16-18	0.630	0.297	3/8-19	0.281	1.020
7023X08X08	0.875	1.063	3/4-16	0.984	0.391	1/2-14	0.391	1.205
7023X12X12	1.250	1.260	1-1/16-12	1.180	0.609	3/4-14	0.609	1.180

Description: **MALE NPTF TO MALE BSPP STRAIGHT**
 Part No.: **7032**
 Stainless Part No.: **7032-SS**

Parker: FMK4
 Weatherhead: 7032
 Aeroquip: /
 Gates: /

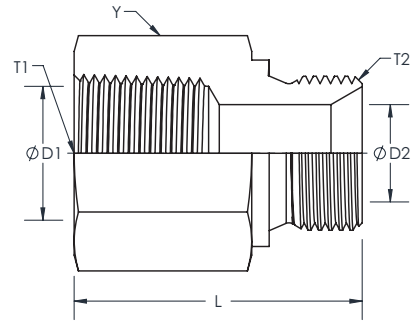


Part #	Y Hex	T1	D1	T2	D2	L
7032X02X02	0.551	1/8-27	0.188	1/8-28	0.138	0.915
7032X04X02	0.551	1/4-18	0.276	1/8-28	0.138	1.145
7032X04X04	0.748	1/4-18	0.276	1/4-19	0.185	1.285
7032X04X06	0.866	1/4-18	0.276	3/8-19	0.312	1.365
7032X06X06	0.866	3/8-18	0.406	3/8-19	0.312	1.365
7032X08X08	1.063	1/2-14	0.531	1/2-14	0.438	1.710
7032X08X12	1.260	1/2-14	0.531	3/4-14	0.658	1.870
7032X12X08	1.063	3/4-14	0.709	1/2-14	0.438	1.710
7032X12X12	1.260	3/4-14	0.709	3/4-14	0.658	1.870
7032X12X16	1.614	3/4-14	0.709	1-11	0.875	2.105



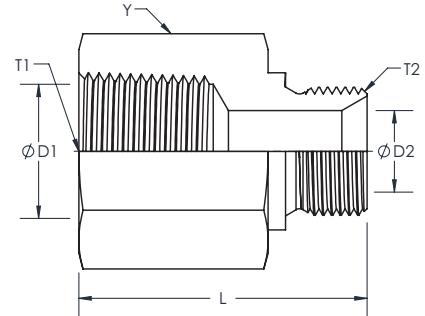
INTERNATIONAL CONVERSION FITTINGS

Description: **FEMALE NPTF TO MALE BSPP STRAIGHT**
 Part No.: **7042**
 Stainless Part No.: **7042-SS**
 Parker: /
 Weatherhead: 7042
 Aeroquip: /
 Gates: /



Part #	Y Hex	T1	D1	T2	D2	L
7042X04X04	0.748	1/4-18	0.438	1/4-19	0.185	1.245
7042X06X06	0.866	3/8-18	0.563	3/8-19	0.312	1.335
7042X08X08	1.102	1/2-14	0.703	1/2-14	0.438	1.655

Description: **FEMALE NPTF TO MALE METRIC STRAIGHT**
 Part No.: **7045**
 Stainless Part No.: **7045-SS**
 Parker: /
 Weatherhead: 7045
 Aeroquip: /
 Gates: /

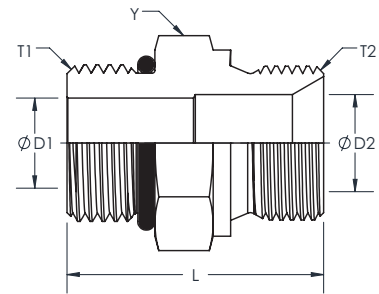


Part #	Y Hex	T1	D1	T2	D2	L
7045X04X10	0.748	1/4-18	0.438	M10X1.0	0.157	1.125
7045X04X12	0.748	1/4-18	0.438	M12X1.5	0.236	1.285
7045X04X14	0.748	1/4-18	0.438	M14X1.5	0.297	1.285
7045X06X14	0.866	3/8-18	0.563	M14X1.5	0.297	1.340
7045X06X16	0.866	3/8-18	0.563	M16X1.5	0.354	1.335
7045X06X18	0.945	3/8-18	0.563	M18X1.5	0.433	1.418
7045X08X18	1.102	1/2-14	0.703	M18X1.5	0.433	1.575

H

Description: **MALE ORB TO MALE BSPP STRAIGHT**
 Part No.: **7062**
 Stainless Part No.: **7062-SS**

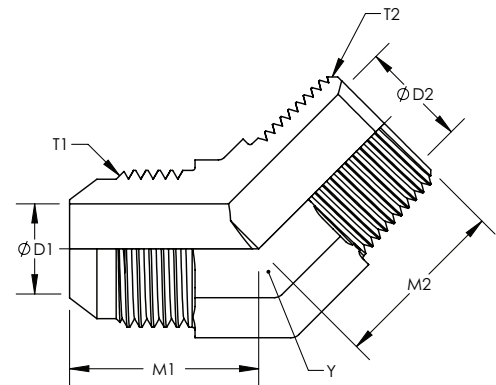
Parker: /
 Weatherhead: 7062
 Aeroquip: /
 Gates: /



Part #	Y Hex	T1	D1	T2	D2	L
7062X04X04	0.748	7/16-20	0.172	1/4-19	0.172	1.067
7062X06X04	0.748	9/16-18	0.297	1/4-19	0.185	1.102
7062X06X06	0.866	9/16-18	0.297	3/8-19	0.297	1.180
7062X08X06	0.866	3/4-16	0.391	3/8-19	0.312	1.290
7062X08X08	1.063	3/4-16	0.391	1/2-14	0.438	1.380
7062X10X08	1.063	7/8-14	0.484	1/2-14	0.438	1.485
7062X12X12	1.260	1-1/16-12	0.609	3/4-14	0.658	1.735

Description: **MALE JIC TO MALE BSPT 45° ELBOW**
 Part No.: **7100**
 Stainless Part No.: **7100-SS**

Parker: V3MX
 Weatherhead: 7100
 Aeroquip: /
 Gates: /

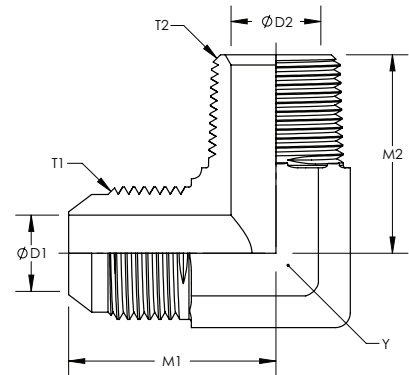


Part #	Y Hex	T1	M1	D1	T2	M2	D2
7100X04X02	0.438	7/16-20	0.720	0.172	1/8-28	0.642	0.188
7100X04X04	0.563	7/16-20	0.807	0.172	1/4-19	0.858	0.276
7100X06X04	0.563	9/16-18	0.830	0.297	1/4-19	0.858	0.276
7100X06X06	0.748	9/16-18	0.870	0.297	3/8-19	0.949	0.406
7100X08X06	0.748	3/4-16	0.980	0.391	3/8-19	0.949	0.406
7100X08X08	0.875	3/4-16	0.990	0.391	1/2-14	1.170	0.531
7100X10X08	0.875	7/8-14	1.110	0.484	1/2-14	1.170	0.531
7100X12X12	1.063	1-1/16-12	1.280	0.609	3/4-14	1.200	0.719



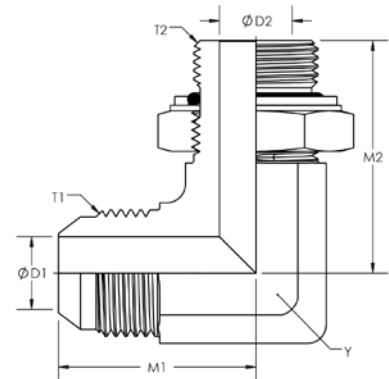
INTERNATIONAL CONVERSION FITTINGS

Description: **MALE JIC TO MALE BSPT 90° ELBOW**
 Part No.: **7200**
 Stainless Part No.: **7200-SS**
 Parker: **C3MX**
 Weatherhead: **7200**
 Aeroquip: **/**
 Gates: **/**



Part #	Y Hex	T1	M1	D1	T2	M2	D2
7200X04X02	0.438	7/16-20	0.890	0.172	1/8-28	0.780	0.188
7200X04X04	0.563	7/16-20	1.050	0.172	1/4-19	1.090	0.276
7200X06X04	0.563	9/16-18	1.060	0.297	1/4-19	1.090	0.276
7200X06X06	0.748	9/16-18	1.142	0.297	3/8-19	1.220	0.406
7200X08X06	0.748	3/4-16	1.252	0.391	3/8-19	1.220	0.406
7200X08X08	0.875	3/4-16	1.330	0.391	1/2-14	1.469	0.531
7200X12X12	1.063	1-1/16-12	1.660	0.609	3/4-14	1.590	0.719

Description: **MALE JIC TO MALE BSPP ADJUSTABLE 90° ELBOW**
 Part No.: **7202**
 Stainless Part No.: **7202-SS**
 Parker: **C4OMX**
 Weatherhead: **7202**
 Aeroquip: **/**
 Gates: **/**

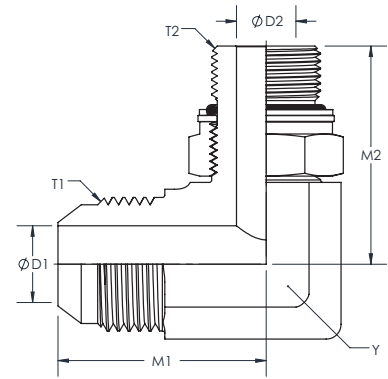


Part #	Y Hex	T1	M1	D1	T2	M2	D2	I.D.	W
7202X04X02	0.472	7/16-20	0.886	0.172	1/8-28	1.043	0.172	0.000	0.000
7202X04X04	0.551	7/16-20	0.933	0.172	1/4-19	1.260	0.297	0.000	0.000
7202X05X04	0.551	1/2-20	0.945	0.236	1/4-19	1.260	0.297	0.000	0.000
7202X06X04	0.551	9/16-18	1.063	0.297	1/4-19	1.260	0.297	0.000	0.000
7202X06X06	0.748	9/16-18	1.150	0.297	3/8-19	1.460	0.391	0.000	0.000
7202X06X08	0.866	9/16-18	1.230	0.297	1/2-14	1.695	0.484	0.000	0.000
7202X08X06	0.748	3/4-16	1.260	0.391	3/8-19	1.460	0.609	0.000	0.000
7202X08X08	0.866	3/4-16	1.340	0.391	1/2-14	1.695	0.484	0.000	0.000
7202X10X12	1.063	7/8-14	1.535	0.484	3/4-14	1.950	0.609	0.000	0.000
7202X12X08	1.063	1-1/16-12	1.655	0.609	1/2-14	1.950	0.484	0.000	0.000
7202X12X12	1.063	1-1/16-12	1.655	0.609	3/4-14	1.950	0.609	0.000	0.000
7202X12X16	1.312	1-1/16-12	1.760	0.609	1-11	2.050	0.846	1.700	0.118

H

Description: **MALE JIC TO MALE METRIC ORB 90° ELBOW**
 Part No.: **7205**
 Stainless Part No.: **7205-SS**

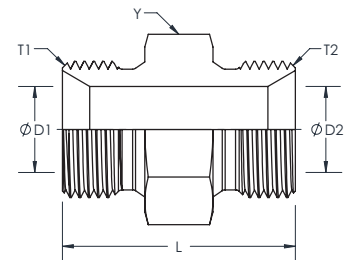
Parker: /
 Weatherhead: 7205
 Aeroquip: /
 Gates: /



Part #	Y Hex	T1	M1	D1	T2	M2	D2
7205X04X10	0.472	7/16-20	0.886	0.172	M10X1.0	0.000	0.118
7205X04X12	0.551	7/16-20	1.050	0.172	M12X1.5	0.000	0.157
7205X04X14	0.551	7/16-20	1.050	0.172	M14X1.5	0.000	0.236
7205X06X12	0.551	9/16-18	1.073	0.297	M12X1.5	0.000	0.157
7205X06X14	0.551	9/16-18	1.073	0.297	M14X1.5	1.000	0.236
7205X06X16	0.748	9/16-18	1.150	0.297	M16X1.5	1.120	0.276
7205X08X16	0.748	3/4-16	1.260	0.391	M16X1.5	1.280	0.276
7205X08X18	0.748	3/4-16	1.260	0.391	M18X1.5	1.120	0.354
7205X10X18	0.866	7/8-14	1.455	0.484	M18X1.5	1.280	0.354
7205X10X22	0.866	7/8-14	1.455	0.484	M22X1.5	1.435	0.472
7205X12X22	1.063	1-1/16-12	1.655	0.609	M22X1.5	1.435	0.472
7205X12X27	1.063	1-1/16-12	1.655	0.609	M27X2.0	1.450	0.590

Description: **MALE BSPP TO MALE BSPP NIPPLE**
 Part No.: **9022**
 Stainless Part No.: **9022-SS**

Parker: /
 Weatherhead: 9022
 Aeroquip: /
 Gates: /



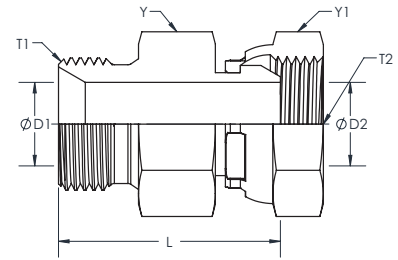
Part #	Y Hex	T1	D1	T2	D2	L
9022X02X02	0.551	1/8-28	0.138	1/8-28	0.138	0.825
9022X04X04	0.748	1/4-19	0.185	1/4-19	0.185	1.140
9022X06X06	0.866	3/8-19	0.312	3/8-19	0.312	1.260
9022X08X06	1.063	1/2-14	0.438	3/8-19	0.312	1.418
9022X08X08	1.063	1/2-14	0.438	1/2-14	0.438	1.495
9022X12X12	1.260	3/4-14	0.658	3/4-14	0.658	1.730



INTERNATIONAL CONVERSION FITTINGS

Description: **MALE BSPP TO FEMALE BSPP SWIVEL STRAIGHT**
 Part No.: **9024**
 Stainless Part No.: **9024**

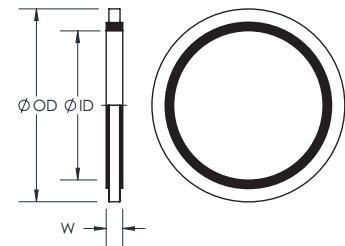
Parker: /
 Weatherhead: 9024
 Aeroquip: /
 Gates: /



Part #	Y Hex	Y1 Hex	T1	D1	T2	D2	L
9024X04X04	0.748	0.748	1/4-19	0.185	1/4-19	0.185	1.195
9024X06X06	0.866	0.866	3/8-19	0.312	3/8-19	0.312	1.300
9024X08X08	1.063	1.063	1/2-14	0.438	1/2-14	0.438	1.595
9024X12X12	1.260	1.260	3/4-14	0.658	3/4-14	0.658	1.750

Description: **BONDED SEAL-BRITISH**
 Part No.: **9900**

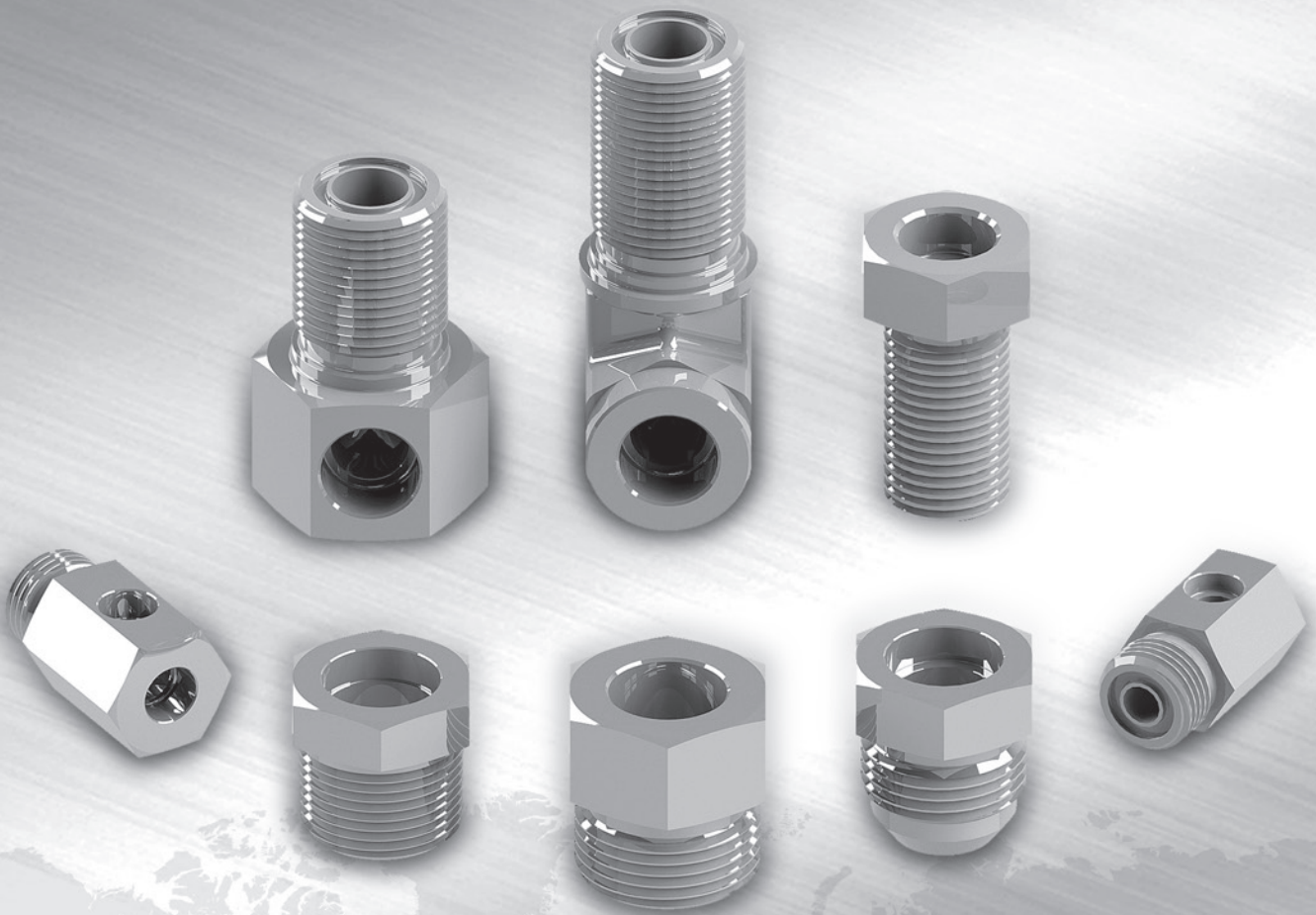
Parker: /
 Weatherhead: 9900
 Aeroquip: /
 Gates: /



Part #	Y Hex	I.D.	W
9900X04	0.809	0.540	0.079
9900X06	0.937	0.680	0.079
9900X08	1.125	0.850	0.079
9900X10	1.250	0.925	0.079
9900X12	1.375	1.062	0.079
9900X16	1.687	1.338	0.118
9900X20	2.063	1.700	0.118

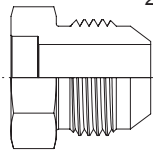
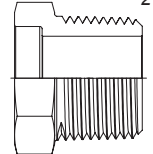
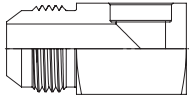
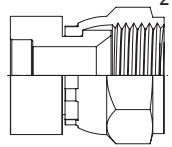
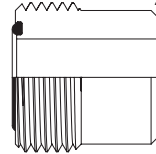
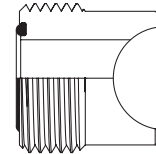
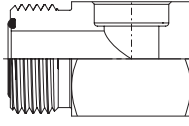
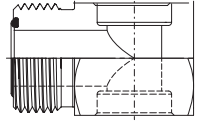
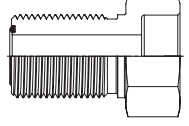
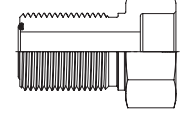
H

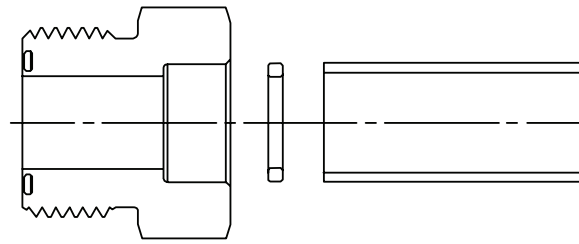
WORLD WIDE FITTINGS inc.



TUBE END FABRICATION

TUBE END FABRICATION FITTINGS

<p>0403 <i>Pg. 214</i></p>  <p>0403 Male JIC Braze Connector</p>	<p>0404 <i>Pg. 214</i></p>  <p>0404 Male Pipe Braze Connector</p>	<p>0500 <i>Pg. 215</i></p>  <p>0500 JIC Braze Elbow Barstock</p>	<p>0900 <i>Pg. 215</i></p>  <p>0900 Braze to 37° Female Swivel Union</p>	<p>4100 <i>Pg. 216</i></p>  <p>4100 Male Weld Spud</p>	<p>4300 <i>Pg. 216</i></p>  <p>4300 Male Braze Spud</p>
<p>4514 <i>Pg. 217</i></p>  <p>4514 Male Braze 90° Elbow</p>	<p>4714 <i>Pg. 217</i></p>  <p>4714 Male Braze Branch Tee</p>	<p>FS0406 <i>Pg. 218</i></p>  <p>4324 Male Braze Bulkhead Connector</p>	<p>MFS0406 <i>Pg. 218</i></p>  <p>4324MH2 Male Bulkhead Connector - Metric Hex</p>		



CONSTRUCTION

Tube End Fittings consist of three main components: Bodies, "O" rings, and Tubes.

Bodies – Straight bodies are machined from bar stock. Shape bodies (elbows, tees, and crosses) are made from forgings.

"O" Rings – Buna-N, 90 durometer.

Tubes – Tube sizes 1/4", 3/8", 1/2", 3/4", 5/8", and 1" are cold formed in 1010 steel, Tube nuts sizes 1-1/4", 1-1/2" and 2" are hot formed from 1045 steel.

Braze Connector meet SAE J1453 specification.

APPLICATIONS

Tube End Fittings are commonly used for joining nonferrous (copper, brass, and soon) piping in the pressure and temperature range where their use is practical. Use of this type of connector is limited to installations in which the piping temperature will not exceed 425°F and the pressure in cold lines will not exceed 3,000 psi. The alloy is melted by heating the joint with an oxyacetylene torch. This causes the alloy insert to melt and fill the few thousandths of an inch annular space between the pipe and the fitting. A fitting of this type which has been removed from a piping system can be re-brazed into a system, as in most cases sufficient alloy remains in the insert groove for a second joint. New alloy inserts may be obtained for fittings which do not have sufficient alloy remaining in the insert for making a new joint.

PRESSURE RATINGS

Working pressures up to 5000 PSI. Working pressures will vary depending on tube and fitting size.

(For applications using extreme pressures at 5000 PSI or above, contact World Wide Fittings.)

MATERIAL

Steel – 12L14, 1215, 1045

HOW TO ORDER

Tubing sizes are measured in sixteenths of an inch. Available sizes are 1/8" through 1 1/2". When ordering, the tube end of the fitting must be specified first followed by counter bore. All fittings in this section are ordered as bodies only unless specified by customers when ordering. (Contact World Wide for details on ordering fittings preassembled with nuts and sleeves.)

ASSEMBLY INSTRUCTIONS

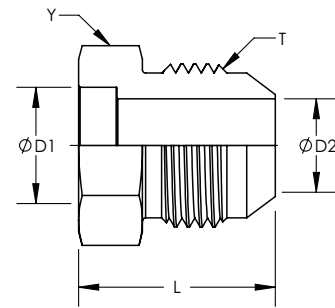
Note: The following instructions are not intended to replace detailed brazing procedures or process plans. Only qualified personnel should attempt to braze hydraulic system assemblies. For any application, sufficient testing should be conducted and reviewed by the user and manufacturer to assure safe and satisfactory performance.

1. Inspect components for damage or contamination.
2. Tube end to be brazed should be trimmed square to within + 1°.
3. Prepare tube end by sizing (if required) to achieve the recommended filler metal gap. Refer to braze alloy suppliers recommendations.
4. Deburr tube O.D. and I.D. . Typical chamfer size should not exceed .020 X 45°.
5. Clean all components with suitable degreasing solution to remove all oil/grease and loose contaminants. Following this degreasing step, avoid touching braze joint surfaces with bare hands. Oil from your skin may contaminate the joint and cause voids and inclusions.
6. Mechanically clean or pickle surfaces to be brazed and braze filler material to remove surface oxides. Silicon carbide emery cloth may be used to polish joint surfaces, do not use abrasives containing aluminum oxide.
7. Final degrease all components.
8. Clamp or fixture tube assembly as required.
9. Apply suitable flux to all components, following flux manufacturers recommendations.
10. Assemble tube, braze ring (if used) and fitting components, reflux as required. Inspect to confirm proper placement of components prior to braze.
11. Apply heat uniformly to bring the joint area up to brazing temperature. Follow accepted industry practices for high quality braze joints. If specific brazing procedures have not been established for the fitting configurations being joined, refer to the flux and braze alloy manufacturers for recommendations.
12. Allow braze alloy to solidify completely before quenching.
13. Remove flux, following flux manufacturer's instructions.
14. Inspect joint. Joint should show no evidence of voids in the fillet and should have no excess braze on the flange sealing surface area. Fillets should be smooth and continuous around the entire joint.
15. Proof test the assembly. Recommended proof pressure is two times the system operating pressure.

TUBE END FABRICATION FITTINGS

Description: **MALE JIC BRAZE CONNECTOR**
 Part No.: **0403**
 Stainless Part No.: **0403-SS**

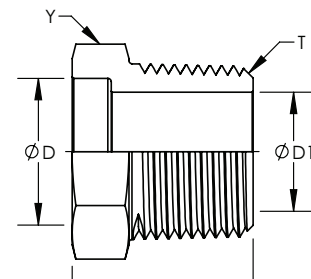
Parker: /
 Weatherhead: 0403
 Aeroquip: 73014
 Gates: MJ-FBO



Part #	Y Hex	T	D1	D2	L
0403X04X04	0.500	7/16-20	0.256	0.172	0.800
0403X05X05	0.563	1/2-20	0.318	0.234	0.800
0403X06X04	0.500	9/16-18	0.381	0.172	0.800
0403X06X06	0.625	9/16-18	0.381	0.297	0.840
0403X06X08	0.813	3/4-16	0.381	0.297	0.940
0403X08X06	0.625	9/16-18	0.506	0.297	0.840
0403X08X08	0.813	3/4-16	0.506	0.391	0.940
0403X10X08	0.813	3/4-16	0.631	0.391	0.940
0403X10X10	0.938	7/8-14	0.631	0.484	1.100
0403X12X12	1.125	1-1/16-12	0.757	0.609	1.280
0403X14X14	1.250	1-3/16-12	0.882	0.609	1.310
0403X16X16	1.375	1-5/16-12	1.007	0.844	1.330
0403X16X20	1.688	1-5/8-12	1.007	0.844	1.330
0403X20X16	1.375	1-5/16-12	1.258	0.844	1.330
0403X20X20	1.688	1-5/8-12	1.258	1.078	1.450
0403X24X24	2.000	1-7/8-12	1.508	1.313	1.650
0403X32X32	2.625	2-1/2-12	2.008	1.781	2.050

Description: **MALE PIPE BRAZE CONNECTOR**
 Part No.: **0404**
 Stainless Part No.: **0404-SS**

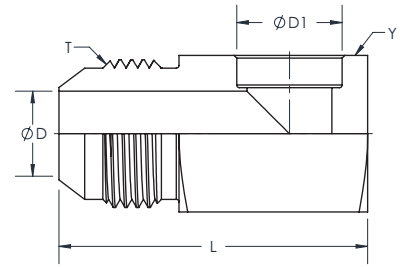
Parker: /
 Weatherhead: 0404
 Aeroquip: 73056
 Gates: /



Part #	Y Hex	T	D	D1	L
0404X04X02	0.500	1/8-27	0.256	0.188	0.563
0404X06X04	0.625	1/4-18	0.379	0.281	0.813
0404X08X06	0.813	3/8-18	0.504	0.406	0.844
0404X10X08	0.938	1/2-14	0.631	0.531	1.078
0404X12X12	1.125	3/4-14	0.756	0.610	1.094
0404X16X12	1.250	3/4-14	1.006	0.719	1.250
0404X16X16	1.375	1-11-1/2	1.006	0.844	1.313
0404X20X20	1.688	1-1/4-11-1/2	1.256	1.080	1.406
0404X24X24	2.000	1-1/2-11-1/2	1.506	1.313	1.500
0404X32X32	2.625	2-11-1/2	2.006	1.781	1.781

Description: **JIC BRAZE ELBOW BARSTOCK**
 Part No.: **0500**
 Stainless Part No.: **0500-SS**

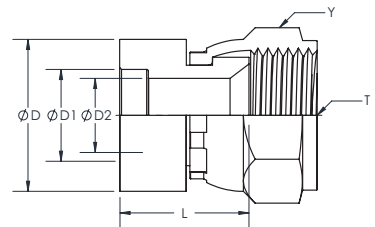
Parker: /
 Weatherhead: 0500
 Aeroquip: /
 Gates: /



Part #	Y Hex	T1	D	D1	L
0500X04X04	0.500	7/16-20	0.172	0.256	1.140
0500X06X06	0.625	9/16-18	0.297	0.381	1.375
0500X08X08	0.812	3/4-16	0.391	0.506	1.656
0500X10X10	0.937	7/8-14	0.484	0.631	1.922
0500X12X12	1.125	1-1/16-12	0.609	0.757	2.219
0500X16X16	1.375	1-5/16-16	0.844	1.007	2.500

Description: **BRAZE TO 37° FEMALE SWIVEL UNION**
 Part No.: **0900**
 Stainless Part No.: **0900-SS**

Parker: /
 Weatherhead: 0900
 Aeroquip: /
 Gates: /

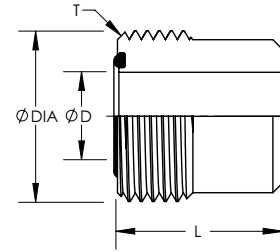


Part #	Y Hex	T	D	D1	D2	L
0900X04X04	0.562	7/16-20	0.512	0.256	0.172	0.550
0900X06X06	0.687	9/16-18	0.630	0.375	0.297	0.730
0900X08X08	0.875	3/4-16	0.827	0.506	0.391	0.882
0900X10X10	1.000	7/8-14	0.945	0.628	0.484	0.904
0900X12X12	1.250	1-1/16-12	1.250	0.756	0.609	1.063
0900X16X16	1.500	1-5/16-12	1.500	1.008	0.844	0.910

TUBE END FABRICATION FITTINGS

Description: **MALE WELD SPUD**
 Part No.: **4100**
 Stainless Part No.: **4100-SS**

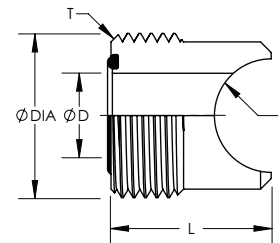
Parker: /
 Weatherhead: 4100
 Aeroquip: /
 Gates: /



Part #	T	D	L
4100X06	11/16-16	0.264	0.812
4100X16	1-7/16-12	0.807	1.122
4100X20	1-11/16-12	1.024	1.122

Description: **MALE BRAZE SPUD**
 Part No.: **4300**
 Stainless Part No.: **4300-SS**

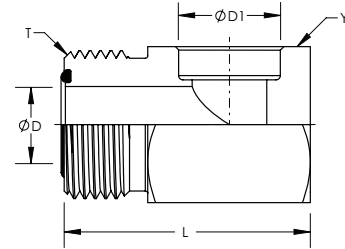
Parker: /
 Weatherhead: 4300
 Aeroquip: /
 Gates: /



Part #	T	D	L
4300X06X06	11/16-16	0.264	0.812
4300X06X08	11/16-16	0.264	0.812
4300X06X10	11/16-16	0.264	0.783
4300X08X08	13/16-16	0.378	0.890
4300X08X10	13/16-16	0.378	0.890
4300X08X16	13/16-16	0.378	0.890
4300X10X10	1-14	0.484	1.047
4300X10X16	1-14	0.484	0.866
4300X24X48	2-12	1.250	1.525

Description: **MALE BRAZE 90° ELBOW**
 Part No.: **4514**
 Stainless Part No.: **4514-SS**

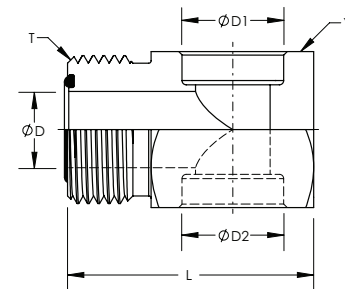
Parker: /
 Weatherhead: 4514
 Aeroquip: /
 Gates: /



Part #	Y Hex	T	D	D1	L
4514X06X06	0.750	11/16-16	0.264	0.379	1.437
4514X08X10	1.250		0.374	0.630	1.766
4514X10X10	1.312	1-14	0.484	0.630	1.860
4514X12X16	1.875	1-3/16-12	0.610	1.003	2.450
4514X16X16	1.875	1-7/16-12	0.807	1.003	2.470

Description: **MALE BRAZE BRANCH TEE**
 Part No.: **4714**
 Stainless Part No.: **4714-SS**

Parker: /
 Weatherhead: 4714
 Aeroquip: /
 Gates: /

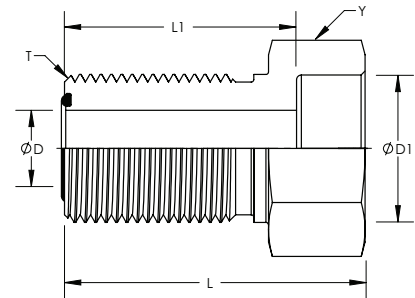


Part #	Y Hex	T	D	D1	D2	L
4714X08X08X08	1.000	13/16-16	0.374	0.504	0.504	1.488
4714X10X10X08	1.250	13/16-16	0.374	0.623	0.623	1.766
4714X12X12X12	1.500	1-3/16-12	0.610	0.753	0.753	2.100
4714X12X16X16	1.875	1-3/16-12	0.610	1.003	1.003	2.470
4714X16X16X16	1.875	1-7/16-12	0.807	1.003	1.003	2.470

TUBE END FABRICATION FITTINGS

Description: **MALE BRAZE BULKHEAD CONNECTOR**
 Part No.: **FS0406**
 Stainless Part No.: **FS0406-SS**

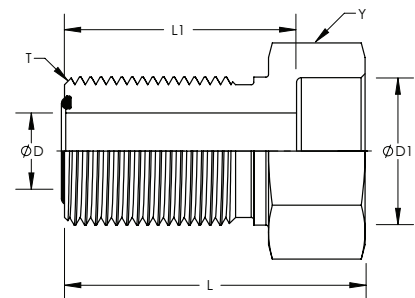
Parker: /
 Weatherhead: 4324
 Aeroquip: /
 Gates: /



Part #	Y Hex	T	D	D1	L	L1
FS0406X06X06	1.000	11/16-16	0.256	0.381	1.720	1.468
FS0406X08X08	1.125	13/16-16	0.374	0.506	1.940	1.560
FS0406X10X10	1.312	1-14	0.484	0.631	2.060	1.730
FS0406X12X16	1.500	1-3/16-12	0.610	1.007	2.325	1.812
FS0406X16X16	1.750	1-7/16-12	0.807	1.007	2.488	1.937
FS0406X20X20	2.000	1-11/16-12	1.024	1.189	2.429	1.878

Description: **MALE BRAZE BULKHEAD CONNECTOR - METRIC HEX**
 Part No.: **MFS0406**
 Stainless Part No.: **MFS0406-SS**

Parker: /
 Weatherhead: 4324MH
 Aeroquip: /
 Gates: /



Part #	Y Hex	T	D	D1	L	L1
MFS0406X06X06	1.063	11/16-16	0.256	0.381	1.720	1.468
MFS0406X08X08	1.181	13/16-16	0.374	0.506	1.940	1.560
MFS0406X16X16	1.811	1-7/16-12	0.807	1.007	2.429	1.929
MFS0406X12X16	1.500	1-3/16-12	0.610	1.007	2.325	1.812
MFS0406X16X16	1.750	1-7/16-12	0.807	1.007	2.488	1.937
MFS0406X20X20	2.000	1-11/16-12	1.024	1.189	2.429	1.878

PRODUCT INDEX

PAGE	PART NO.	STAINLESS STEEL	WEATHER-HEAD	PARK-ER	AEROQUIP	GATES
20	100P	100P-SS	100P	/	/	/
52	304	0304-SS	5115	/	/	/
53	306	0306-SS	5924	WLN	210212	LN
54	318	0318-SS	5105	BTX	1290	TSN
55	319	0319-SS	5165	/	/	/
214	403	0403-SS	403	/	73014	MJ-FBO
214	404	0404-SS	404	/	/	/
215	500	0500-SS	500	/	/	/
215	900	0900-SS	900	/	/	/
20	1404	1404-SS	9205	207	2046-[R]	FP-FPX
21	1405	1405-SS	9255	207	2046-[R]	FP-FPX
22	1501	1501-SS	9405	2107	2047-[R]	MP-FPX90
23	1502	1502-SS	9455	2207	2048-[R]	FP-FPX90
23	1503	1503-SS	9355	3107	2049-[R]	MP-FPX45
24	1504	1504-SS	9385	3207	2050-[R]	FP-FPX45
25	1601	1601-SS	9605	217T	2254-[R]	FPX-FPX-MP
25	1602	1602-SS	9456	/	2253-[R]	/
26	1603	1603-SS	9705	077T	2255	FPX-FPX-FPX
188	1700	1700-SS	1700	XHQ1	500025-[R]	/
188	1703	1703-SS	1703	/	/	/
189	1704	1704-SS	1704	/	/	/
189	1724	1724-SS	1724	P	/	/
190	1800	1800-SS	1800	/	/	/
190	1803	1803-SS	1803	/	/	/

J

PAGE	PART NO.	STAINLESS STEEL	WEATHER-HEAD	PARK-ER	AEROQUIP	GATES
191	1804	1804-SS	1804	/	/	/
191	1824	1824-SS	1824	P	/	/
192	1901	1901-SS	1901	/	/	/
192	1902	1902-SS	1902	/	/	/
193	1951	1951-SS	1951	/	/	/
193	1952	1952-SS	1952	/	/	/
55	2403	2403-SS	5305	HTX	2027	MJ-MJ
57	2404	2404-SS	5205	FTX	2021-[R]	MJ-MP
59	2405	2405-SS	5255	GTX-S	2022-[R]	MJ-FP
60	2406	2406-SS	4315	5015	2215	MJ-FJ
62	2408	2408-SS	5229	PNTX	900599	MJ-PLUG
62	2500	2500-SS	F5505	ETX	2039	/
63	2501	2501-SS	F5405	CTX	2024-[R]	MJ-MP90
68	2502	2502-SS	F5455	DTX	2025-[R]	MJ-FP90
69	2503	2503-SS	F5355	VTX	2023-[R]	MJ-MP45
70	2601	2601-SS	F5605	STX	2030-[R]	MJ-MJ-MP
71	2602	2602-SS	F5655	/	/	/
72	2603	2603-SS	F5705	JTX	2033	MJ-MJ-MJ
73	2605	2605-SS	F5755	RTX	2028-[R]	/
74	2606	2606-SS	F5805	MTX	2029-[R]	/
75	2700	2700-SS	5325	WTX	2041-1-[R]	MJ-BKHD
76	2701	2701-SS	F5525	WETX	2043-1-[R]	MJ-BKHD90
77	2701	2702-SS	F5375	WNTX	2042-1	MJ-BKHD45
78	2703	2703-SS	F5725	WJTX	203002-1	MJ-MJ-MJBKHD

J

PRODUCT INDEX

PAGE	PART NO.	STAINLESS STEEL	WEATHER-HEAD	PARK-ER	AEROQUIP	GATES
79	2704	2704-SS	F5726	WJJTX	FF1065	MJ-MJBKHD-MJ
80	2705	2705-SS	5275	WGTX	/	/
80	2705	2705-SS	5275LN	WGTX-WLN	2239	/
81	2706	2706-SS	2706	WFTX	/	MJBKHD-MP
82	3474	3474-SS	5314	/	/	/
180	4000	/	7629	O - RING	/	OR
194	4005	/	4005	P	/	/
216	4100	4100-SS	4100	/	/	/
216	4300	4300-SS	4300	/	/	/
170	4404	4404-SS	4404	/	/	/
171	4501	4501-SS	4501	/	FF1162-[R]	/
172	4503	4503-SS	4503	/	/	/
172	4504	4504-SS	4504	/	/	/
217	4514	4514-SS	4514	/	/	/
173	4601	4601-SS	4601	/	FF1167-[R]	/
174	4603	4603-SS	4603	/	/	/
175	4604	4604-SS	4604	/	/	/
217	4714	4714-SS	4714	/	/	/
26	5000	5000-SS	3309	GG	2096	FP-FP
27	5404	5404-SS	3069	FF	2083	MP-MP
28	5405	5405-SS	3209	FG	2040	MP-FPL
28	5406	5406-SS	3109	PTR	2081	MP-FPS
31	5500	5500-SS	F3529	CR	2085	MP-MP90
32	5501	5501-SS	5501	/	2247	/

J

PAGE	PART NO.	STAINLESS STEEL	WEATHER-HEAD	PARK-ER	AEROQUIP	GATES
32	5502	5502-SS	F3409	CD	2089	MP-FP90
33	5503	5503-SS	F3359	CD45	2088	/
34	5504	5504-SS	F3509	DD	2087	FP-FP90
34	5505	5505-SS	F3559	DD45	/	/
35	5600	5600-SS	5600	F50G5	FF1010	/
35	5601	5601-SS	5601	/	2256	/
36	5602	5602-SS	F3759	MRO	2092	/
36	5603	5603-SS	F3809	/	2093	/
37	5604	5604-SS	F3609	MMS	2091	FP-FP-MP
37	5605	5605-SS	F3709	MMO	2090	FP-FP-FP
38	5652	5652-SS	F3959	KMMOO	2080	/
83	6400	6400-SS	5315	F5OX	202701-[R]	MB-MJ
38	6401	6401-SS	3249	F50F	/	/
85	6402	6402-SS	/	FHG5	2246-[R]	FB-MP
39	6404	6404-SS	3239	FHG5	2246-[R]	FB-MP
39	6405	6405-SS	3269	F5OG	2216-[R]	MB-FP
181	6408	6408-SS	4603	P5ON	900598	MB-PLUG
40	6410	6410-SS	6410	F50G5	FF1010	/
86	6464	6464-SS	6464	/	/	/
86	6500	6500-SS	F5506	C6X	2071-[R]	MJ-FJX90
87	6501	6501-SS	9406	F50F	/	/
88	6502	6502-SS	F5356	V6X	2070-[R]	MJ-FJX45
88	6504	6504-SS	6504	XHX6	/	MJ-FJX
89	6505	6505-SS	9100	F6X	2018	FJX-MP

J

PRODUCT INDEX

PAGE	PART NO.	STAINLESS STEEL	WEATHER-HEAD	PARK-ER	AEROQUIP	GATES
89	6506	6506-SS	9256	G6X	2242	FJX-FP
90	6565	6565-SS	6565	HX6	/	/
90	6600	6600-SS	F5707	S6X	203101-[R]	MJ-MJ-FJX
91	6602	6602-SS	F5706	R6X	203103-[R]	MJ-FJX-MJ
92	6603	6603-SS	6603	/	/	/
92	6606	6606-SS	6606	/	/	/
93	6801	6801-SS	F5515	C5OX	2062-[R]	MB-MJ90
96	6802	6802-SS	F5365	V5OX	2061-[R]	MB-MJ45
97	6803	6803-SS	F5715	S5OX	203003-[R]	MJ-MJ-MB
98	6804	6804-SS	F5716	R5OX	203005-[R]	MB-MJ-MJ
42	6805	6805-SS	F3459	AOEG	206801-[R]	/
43	6806	6806-SS	F3569	/	/	/
99	6807	6807-SS	6807	/	/	/
99	6809	6809-SS	6809	AOEX6	/	/
100	6815	6815-SS	6815	/	/	/
100	6835	6835-SS	6835	/	/	/
44	6900	6900-SS	9315	507	2066-[R]	MB-FPX
45	6901	6901-SS	9515	2507	2068-[R]	MB-FPX90
101	6902	6902-SS	9365	3507	2067-[R]	MB-FPX45
200	7000	7000-SS	7000	F3MX	/	/
200	7001	7001-SS	7001	F8OMX	/	/
201	7002	7002-SS	7002	/	/	/
201	7004	7004-SS	7004	/	/	/
202	7005	7005-SS	7005	/	/	/

J

PAGE	PART NO.	STAINLESS STEEL	WEATHER-HEAD	PARK-ER	AEROQUIP	GATES
202	7022	7022-SS	7022	/	/	/
203	7023	7023-SS	7023	/	/	/
203	7032	7032-SS	7032	FMK4	/	/
204	7042	7042-SS	7042	/	/	/
204	7045	7045-SS	7045	/	/	/
205	7062	7062-SS	7062	/	/	/
205	7100	7100-SS	7100	V3MX	/	/
206	7200	7200-SS	7200	C3MX	/	/
206	7202	7202-SS	7202	C4OMX	/	/
207	7205	7205-SS	7205	/	/	/
207	9022	9022-SS	9022	/	/	/
208	9024	9024-SS	9024	/	/	/
208	9900	/	9900	/	/	/
52	0304-C	0304-C-SS	5129	FNTX	210292	FJ-CAP
53	0306-N	0306-N-SS	8924	/	210295	/
180	0403-L	/	7629M	/	/	/
57	2403-LH	2403-LH-SS	5306	LHTX	202712	/
59	2404-L	2404-L-SS	5205L	FFTX	FFTX	/
65	2501-L	2501-L-SS	F5425	CCTX	202411-[R]	/
66	2501-LL	2501-LL-SS	F5435	CCCTX	202413-[R]	/
67	2501-LLL	2501-LLL-SS	F5445	/	202414-[R]	/
75	2700-LN	2700-LN-SS	5325LN	WTX-WLN	2041-[R]	/
76	2701-LN	2701-LN-SS	F5525LN	WETX-WLN	2043-[R]	/
77	2702-LN	2702-LN-SS	F5375LN	WNTX-WLN	2042	/

PRODUCT INDEX

PAGE	PART NO.	STAINLESS STEEL	WEATHER-HEAD	PARK-ER	AEROQUIP	GATES
78	2703-LN	2703-LN-SS	F5725LN	WJTX-WLN	203002	/
79	2704-LN	2704-LN-SS	F5826LN	WJJTX-WLN	203008	/
81	2706-LN	2706-LN-SS	2706LN	WFTX-WLN	2240	/
30	5406-HP	5406-HP-SS	3169	HHP	2222	/
30	5406-P	5406-P-SS	3159	HP	2082	MP-PLUG
31	5406-SHP	5406-SHP-SS	3179	SHP-S	/	/
29	5406C	5406C-SS	5406-C	/	/	/
84	6400-L	6400-L-SS	5316	FF50-X	202713-[R]	/
181	6408H	6408H-SS	7238	HP50N	7238	/
94	6801-L	6801-L-SS	F5515L	CC50X	/	/
95	6801-LL	6801-LL-SS	F5515LL	/	/	/
95	6801-LLL	6801-LLL-SS	F5515LLL	/	/	/
42	6805-L	6805-L-SS	F3469	DD	206804-[R]	/
182	8555-P	8555-P-SS	7240M	VSTI M-ED	/	/
182	9522-H	9522-H-SS	7240G	VSTI R-ED	/	/
152	c0304-c	C0304-C-SS	7129	FNU	/	/
152	C0318	C0318-SS	7105	BU	/	FFN
153	C0319	C0319-SS	7165A	TU	/	/
153	C0319	C0319-SS	7165B	/	/	FFS
154	C2402	C2402-SS	C2402	/	/	/
154	C2403	C2403-SS	7305	HBU	/	/
155	C2403-LH	C2403-LH-SS	7306	LHBU	/	/
155	C2405	C2405-SS	7255	GBU	/	/
156	C2406	C2406-SS	7015	TRBU	/	/

PAGE	PART NO.	STAINLESS STEEL	WEATHER-HEAD	PARK-ER	AEROQUIP	GATES
156	C2408	C2408-SS	7229	PNU	/	/
157	C2500	C2500-SS	7505	EBU	/	/
157	C2501	C2501-SS	7405	CBU	/	/
158	C2502	C2502-SS	7455	DBU	/	/
159	C2503	C2503-SS	7355	VBU	/	/
159	C2601	C2601-SS	7605	SBU	/	/
160	C2602	C2602-SS	7655	OBU	/	/
160	C2603	C2603-SS	7705	JBU	/	/
161	C2605	C2605-SS	7755	RBU	/	/
161	C2606	C2606-SS	7805	MBU	/	/
162	C2650	C2650-SS	7955	KBU	/	/
162	C2700	C2700-SS	7325	WBU	/	/
163	C6400	C6400-SS	7315	F5BU	/	/
163	C6400-L	C6400-L-SS	7316	/	/	/
164	C6500	C6500-SS	7506	C6BU	/	/
164	C6801	C6801-SS	7515	C5BU	/	/
165	C6802	C6802-SS	7365	V5BU	/	/
165	C6803	C6803-SS	7715	S5BU	/	/
165	C6804	C6804-SS	7716	R5BU	/	/
110	FF304	FF304-SS	4129PLG	/	/	/
110	FF304-C	FF304-C-SS	4129	FNL	FF9863	/
111	FS0306	FS0306-SS	4925	WLNL	FF9768	/
111	FS0306-N	FS0306-N-SS	4924	/	/	/
112	FS0318	FS0318-SS	4105	BL	FC2326	/

PRODUCT INDEX

PAGE	PART NO.	STAINLESS STEEL	WEATHER-HEAD	PARK-ER	AEROQUIP	GATES
113	FS0319	FS0319-SS	4165	TL	/	/
113	FS0319PF	FS0319PF-SS	4165PF	TPL	/	/
114	FS0403	FS0403-SS	4315	LOHB3	FF1851T	/
218	FS0406	FS0406-SS	4324	/	/	/
114	FS2403	FS2403-SS	4305	HLO	FF2000T	/
115	FS2404	FS2404-SS	4205	FLO	FF2031T	MFFOR-MP
116	FS2406	FS2406-SS	4015	TRLON	FF2281T	/
117	FS2408	FS2408-SS	4229	PNLO	FF9767	MFFOR-PLUG
117	FS2500	FS2500-SS	4505	ELO	FF2035T	/
118	FS2501	FS2501-SS	4405	CLO	/	/
118	FS2501-L	FS2501-L-SS	4405L	/	/	/
119	FS2503	FS2503-SS	4355	VLO	FS2503	/
119	FS2601	FS2601-SS	4605	SLO	FF2001T	/
120	FS2603	FS2603-SS	4705	JLO	FF1898T	/
120	FS2605	FS2605-SS	4755	/	/	/
121	FS2650	FS2650-SS	4955	KLO	/	/
121	FS2700	FS2700-SS	4325	WLO	/	/
122	FS2700-H	FS2700-H-SS	4325MH	WMLO	/	/
122	FS2700-LN	FS2700-LN-SS	4325LN	WF5OLO-WLN	FF1994T	/
123	FS2701	FS2701-SS	4525	WELO	/	/
123	FS2701-H	FS2701-H-SS	4525MH	WEMLO	/	/
124	FS2701-LN	FS2701-LN-SS	4525LN	WE-LO-WLN	FF2030T	/
124	FS2702	FS2702-SS	4375	WNLO	/	/
125	FS2702-LN	FS2702-LN-SS	4375LN	WNLO-WLN	FF2144T	/

PAGE	PART NO.	STAINLESS STEEL	WEATHER-HEAD	PARK-ER	AEROQUIP	GATES
125	FS2703	FS2703-SS	4725	WJLO	/	/
126	FS2703-H	FS2703-H-SS	4725MH	WJMLO	/	/
126	FS2703-LN	FS2703-LN-SS	4725LN	WJLO-WLN	FF2033T	/
127	FS2704	FS2704-SS	4726	WJJLO	/	/
127	FS2704-H	FS2704-H-SS	4726MH	WJJMLO	FF2033T	/
128	FS2704-LN	FS2704-LN-SS	4726LN	WJJ-LO-WLN	FS2033TLN	/
129	FS2764	FS2764-SS	FS2764	WF5OLO	/	/
129	FS4000	/	4629	14	45	ORFF
130	FS6400	FS6400-SS	4314	F5OLO	FF1852T	MFFOR-MB
131	FS6400-L	FS6400-L-SS	4316	FF5OLO	FF1854T	MFFOR-MBL
131	FS6402	/	/	/	/	/
132	FS6403	FS6403-SS	FF7403	XHLO	FF2313T	/
132	FS6500	FS6500-SS	4506	C6LO	FF2098T	MFFOR-FFORX90
133	FS6500-H	FS6500-H-SS	4506MH	C6MLO	/	/
133	FS6502	FS6502-SS	4356	V6LO	FF2133T	/
133	FS6502-H	FS6502-H-SS	4365MH	/	/	/
134	FS6504	FS6504-SS	4213	XHL6	FF2209T	XHL6
134	FS6540	FS6540-SS	FS6540	F65OL	FF2130T	/
135	FS6565	FS6565-SS	FS6565	HL6	/	/
135	FS6600-FG	FS6600-FG-SS	4707	S6LO	FF1857T	MFFOR-MF-F0R-FFORX
136	FS6600-H	FS6600-H-SS	4707MH	S6MLO	/	/
136	FS6602	FS6602-SS	4706	R6LO	FF2114T	/
137	FS6801	FS6801-SS	4515	C5OLO	FF1868T	MFFOR-MB90
138	FS6801-L	FS6801-L-SS	4515L	CC5OLO	FF2227T	/

PRODUCT INDEX

PAGE	PART NO.	STAINLESS STEEL	WEATHER-HEAD	PARK-ER	AEROQUIP	GATES
138	FS6801-LL	FS6801-LL	4515LL	/	/	/
139	FS6802	FS6802-SS	4365	V5OLO	FF2068T	MFFOR-MB45
140	FS6803	FS6803-SS	4715	S5OLO	FF1861T	MFFOR-MFFOR-MB
141	FS6804	FS6804-SS	4716	R5OLO	FF1865T	MFFOR-MB-MFFOR
142	FS6809	FS6809-SS	FS6809	/	/	/
142	FS7205	FS7205-SS	4515M	C87OMLO	/	/
143	FS7210	FS7210-SS	4715M	S87OMLO	/	/
143	FS7215	FS7215-SS	4716M	R87OMLO	/	/
144	FS7300	FS7300-SS	4365M	V87OMLO	/	/
144	FS7640	FS7640-SS	4314M	F87OMLO	/	/
145	FS7640-L	FS7640-L-SS	4316M	/	/	/
54	M0318	M0318-SS	5105MH	/	/	/
183	M6408	M6408-SS	7237M	P87OMN	/	/
183	M6409	M6409-SS	7238M	VSTI M-OR	/	/
112	MFS0318	MFS0318-SS	4105MH	BML	/	/
218	MFS0406	MFS0406-SS	4325MH	/	/	/



World Wide Fittings Corporate Headquarters & Manufacturing Facility, Vernon Hills, IL

INDUSTRIAL TUBE AND PIPE FITTINGS **“WORLD CLASS STANDARD”**

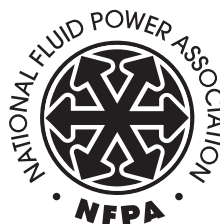
Since 1950 World Wide Fittings Corporation has dedicated itself to service, quality and engineered performance in the manufacture distribution of hydraulic tube and pipe fittings in various materials to many industries around the world.

World Wide supplies over **300,000,000 tube and pipe fitting components annually** to the North American and foreign markets. World Wide has always been known as the best source in the industry for cold formed nuts and sleeves, forged steel flareless fittings, and SAE “O” Ring Boss plugs. The addition of steel forged JIC 37° flare, “O” Ring Face Seal, and Pipe fittings allows you to purchase multiple product lines from a **“Single Quality Source”**. This helps you to reduce your vendor base, reduce your freight cost by consolidating freight, and reduces your purchasing and accounting cost by placing a single order and paying a single invoice.

All of our hydraulic tube fittings meet the SAE and ISO standards, ASME (American Society of Mechanical Engineers), and Military Standard MIL-F-18866 Class 1. Because our methods of manufacturing include cold forming, hot forming, impact extrusion, forging, and the conventional method of producing fittings on screw machines from extruded bar-stock, we are able to design and develop many special fittings in steel and stainless steel. Our engineering and technical support insures that our product meet or exceed any design criteria that may be required.

World Wide is deeply committed and involved in the Fluid Power Education Foundation, SAE, NAHAD, and NFPA standards committees to stay abreast of industry changes and contribute to providing our customers with **“World Class”** tube and pipe fittings from **“Single Quality Source”**.

World Wide Fittings Corporation



Intertek